



2.30"(56.80mm)Dual Digit 7 Segment Display

Features:

- *High segment intensity
- *Wide viewing angle
- *Range of colors
- *Gray face White segment
- *RoHS compliant

Available option:

- *Available emitting color
- *Available Segment color
- *Low current version

Electro/Optical Characteristics If=20mA Ta=25°C

Part Number Common Cathode	Part Number Common Anode	Emitting Color	Peak Wavelength	Forward Voltage V _F /Seg.(DP)		Luminous Intensity I _v /seg.(DP)	
				Typ.	Max.	Min.	Typ.
	NFD-23021BUB-21-N2	InGaN/SiC Ultra Blue	470	14.00(7.00)	16.00(8.00)	160.00(80.00)	240.00(120.00)
	NFD-23021BS-21-N2	GaAlAs/GaAs SH Hi-Red	660	7.20(3.60)	8.80(4.40)	32.00(16.00)	48.00(24.00)
	NFD-23021BD-21-N2	GaAlAs/GaAs DH Super Red	660	7.20(3.60)	8.80(4.40)	88.00(44.00)	112.00(56.00)
	NFD-23021BE-21-N2	GaAsP/GaP Orange	632	8.40(4.20)	10.00(5.00)	32.00(16.00)	48.00(24.00)
	NFD-23021BY-21-N2	GaAsP/GaP Yellow	585	8.40(4.20)	10.00(5.00)	16.00(8.00)	28.00(14.00)
	NFD-23021BG-21-N2	GaP/GaP Green	568	8.80(4.40)	10.00(5.00)	28.00(14.00)	44.00(22.00)
Units			nm	V		mcd	

Maximum Ratings Ta=25°C (Derate above 25°C)

Characteristic	Test Condition	Symbol	UB	S	D	E	Y	G	Units
Pulse Forward Current Per Seg.	1/10 duty cycle 0.1ms Pulse width	I _{FP}	100	100	100	100	100	100	mA
DC Forward Current Per Seg.		I _F	30	25	25	30	30	30	mA
Reverse Current Per Seg.	V _R =10V	I _R	10	10	10	10	10	10	μA
Power Dissipation		P _D	120*58	60*58	60*58	80*58	80*58	80*58	mW
Operating Temperature		T _{OPR}	-40 to +80						°C
Storage Temperature		T _{TSG}	-40 to +85						°C
Lead soldering temperature	1.60mm from body maximum 3 seconds		260						°C

Checked

Chen N.H.

Approved

Jason Chen

Date

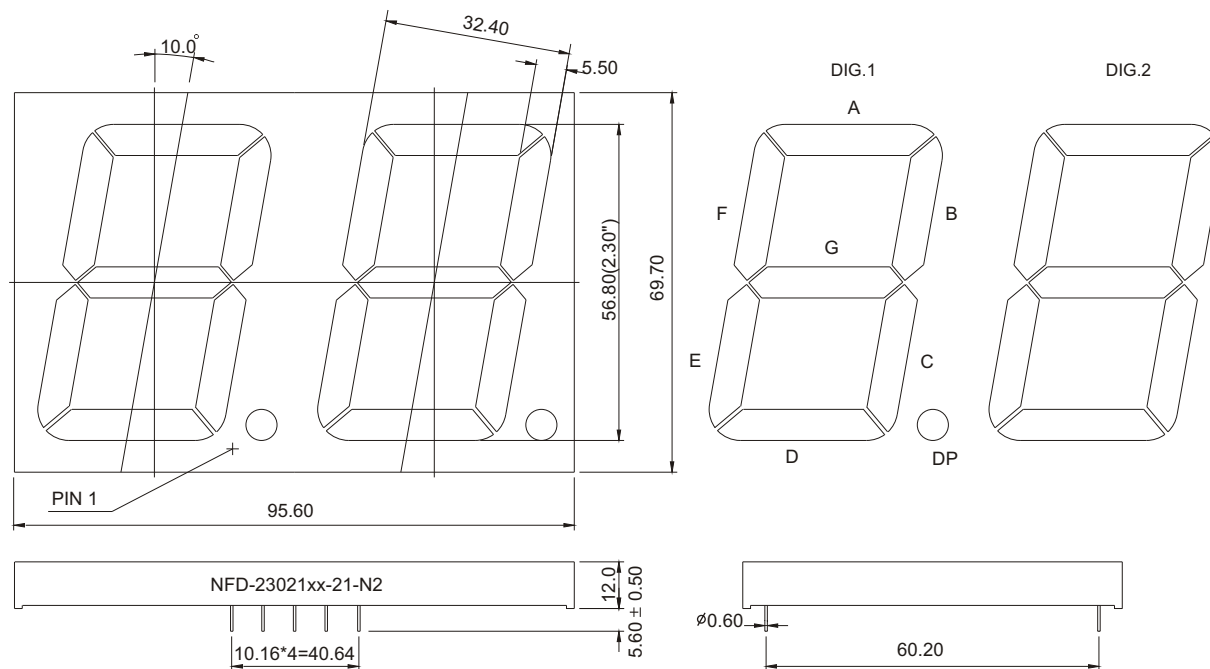
Feb/12/2007

PAGE 1 / 2



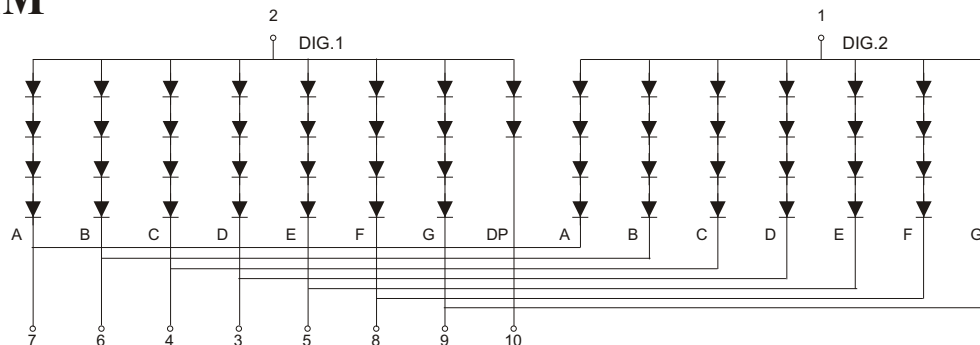
2.30"(56.80mm) Dual Digit 7 Segment Display

PACKAGE DIMENSION



INTERNAL CIRCUIT DIAGRAM

Common Anode
NFD-23021Bx-N2



Tolerance $\pm 0.25\text{mm}$ unless stated