



0.80"(20.30mm)Dual Digit 7 Segment Display

Features:

- *Ultra segment intensity
- *Wide viewing angle
- *Range of colors
- *Gray face White segment
- *RoHS compliant

Available option:

- *Alternative face and segment color
- *Alternative font
- *Cropped terminal pins
- *Available emitting color
- *Low current version

Electro/Optical Characteristics If=20mA Ta=25°C

Part Number Common Cathode	Part Number Common Anode	Emitting Color	Peak Wavelength	Forward Voltage Vf/Seg.		Luminous Intensity Iv/seg.	
				Typ.	Max.	Min.	Typ.
NFD-8021AUR-21	NFD-8021BUR-21	GaAlAs/GaAs DDH Ultra Red	660	1.90	2.50	40.00	60.00
NFD-8021AUE-21	NFD-8021BUE-21	AlGaInP/GaAs Ultra Orange	632	2.00	2.50	40.00	60.00
NFD-8021AYO-21	NFD-8021BYO-21	AlGaInP/GaAs Ultra Amber	605	2.00	2.50	40.00	60.00
NFD-8021AUY-21	NFD-8021BUY-21	AlGaInP/GaAs Ultra Yellow	590	2.00	2.50	40.00	60.00
NFD-8021AUG-21	NFD-8021BUG-21	AlGaInP/GaAs Ultra Green	574	2.10	2.50	25.00	40.00
NFD-8021APG-21	NFD-8021BPG-21	InGaN/SiC Pure Green	525	3.50	4.00	50.00	80.00
NFD-8021AUB-21	NFD-8021BUB-21	InGaN/SiC Ultra Blue	470	3.50	4.00	40.00	60.00
NFD-8021AUW-21	NFD-8021BUW-21	InGaN/SiC Ultra White	X-0.31/Y-0.31	3.50	4.00	40.00	60.00
Units			nm	V		mcd	

Maximum Ratings Ta=25°C (Derate above 25°C)

Characteristic	Test Condition	Symbol	UR	UE	YO	UY	UG	PG	UB	UW	Units
Pulse Forward Current Per Seg.	1/10 duty cycle 0.1ms Pulse width	I _{FP}	100	100	100	100	100	100	100	100	mA
DC Forward Current Per Seg.		I _F	25	30	30	30	30	30	30	30	mA
Reverse Current Per Seg.	V _R =5V	I _R	10	10	10	10	10	10	10	10	μA
Power Dissipation		P _D	60*16	65*16	65*16	65*16	75*16	110*16	120*16	120*16	mW
Operating Temperature		T _{OPR}	-40 to +80								°C
Storage Temperature		T _{TSG}	-40 to +85								°C
Lead soldering temperature	1.60mm from body maximum 3 seconds		260								°C

Checked

Chen N.H.

Approved

Jason Chen

Date

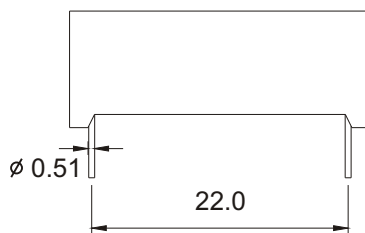
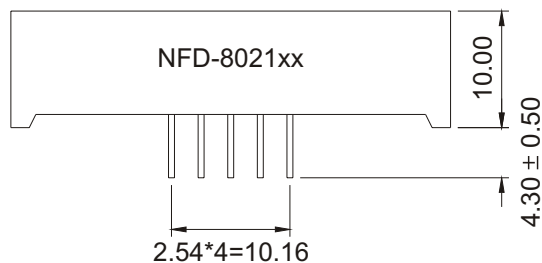
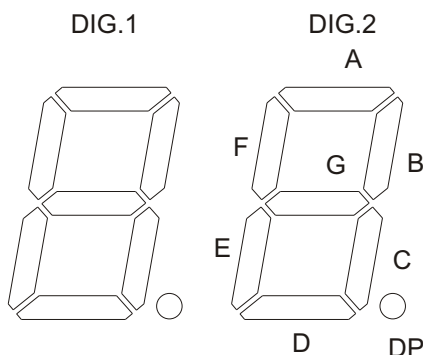
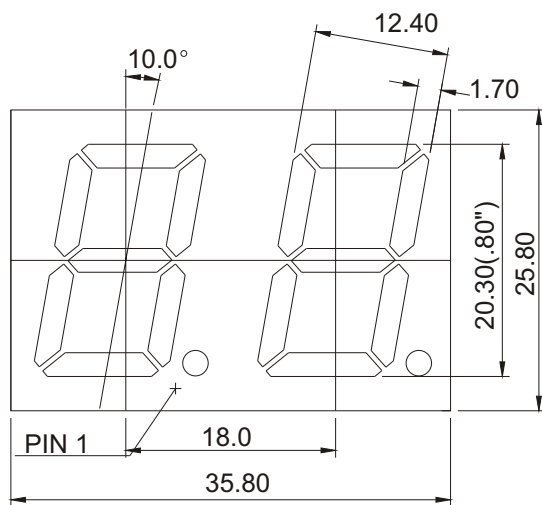
Mar/22/2007

PAGE 1 / 2



0.80"(20.30mm)Dual Digit 7 Segment Display

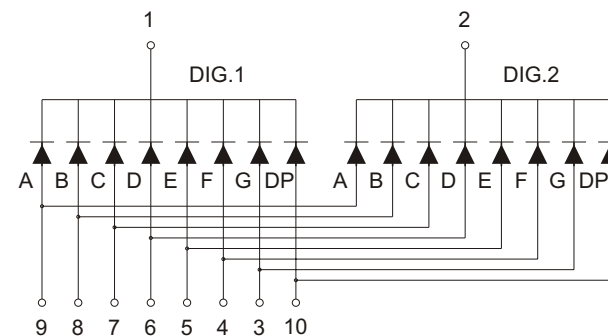
PACKAGE DIMENSION



Tolerance $\pm 0.25\text{mm}$ unless stated

INTERNAL CIRCUIT DIAGRAM

Common Cathode NFD-8021Ax



Common Anode NFD-8021Bx

