



0.50"(12.70mm)Dual Digit 7 Segment Display

Features:

- *High segment intensity
- *Wide viewing angle
- *Range of colors
- *Black face Red segment
- *RoHS compliant

Available option:

- *Alternative face and segment color
- *Alternative font
- *Cropped terminal pins
- *Available emitting color
- *Low current version

Electro/Optical Characteristics If=20mA Ta=25°C

Part Number Common Cathode	Part Number Common Anode	Emitting Color	Peak Wavelength	Forward Voltage V _F /Seg.		Luminous Intensity I _v /seg.	
				Typ.	Max.	Min.	Typ.
NFD-5021AE-12-L34	NFD-5021BE-12-L34	GaAsP/GaP Orange	632	2.10	2.50	8.00	12.00
Units			nm	V		mcd	

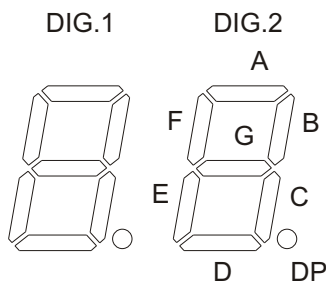
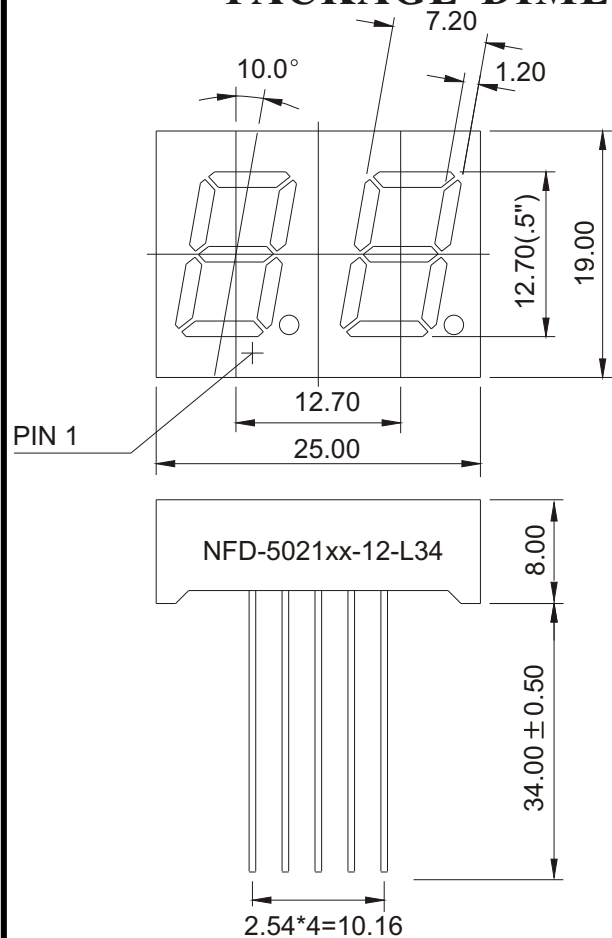
Maximum Ratings Ta=25°C (Derate above 25°C)

Characteristic	Test Condition	Symbol	E					Units
Pulse Forward Current Per Seg.	1/10 duty cycle 0.1ms Pulse width	I _{FP}	100					mA
DC Forward Current Per Seg.		I _F	30					mA
Reverse Current Per Seg.	V _R =5V	I _R	10					μA
Power Dissipation		P _D	80*16					mW
Operating Temperature		T _{OPR}				-40 to +80		°C
Storage Temperature		T _{TSG}				-40 to +85		°C
Lead soldering temperature	1.60mm from body maximum 3 seconds					260		°C



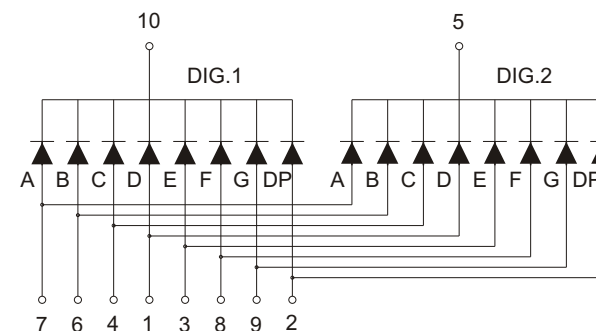
0.50"(12.70mm) Dual Digit 7 Segment Display

PACKAGE DIMENSION

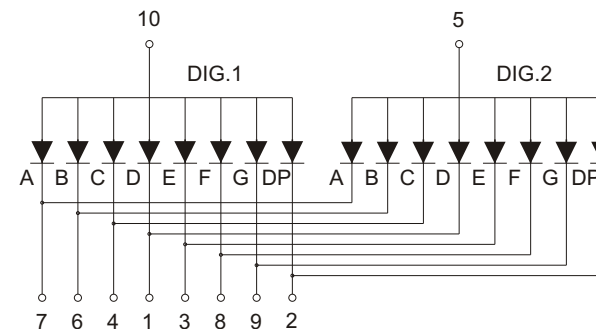


INTERNAL CIRCUIT DIAGRAM

Common Cathode NFD-5021Ax



Common Anode NFD-5021Bx



Tolerance $\pm 0.25\text{mm}$ unless stated

Checked

Chen N.H.

Approved

Jason Chen

Date

Oct/09/2009

PAGE 2 / 2