



1.00"(25.58mm)Single Digit Alphanumeric Display

Features:

- *High segment intensity
- *Wide viewing angle
- *Range of colors
- *Gray face White segment
- *RoHS compliant

Available option:

- *Alternative face and segment color
- *Alternative font
- *Cropped terminal pins
- *Available emitting color
- *Low current version

Electro/Optical Characteristics If=20mA Ta=25°C

Part Number Common Cathode	Part Number Common Anode	Emitting Color	Peak Wavelength	Forward Voltage V _F /Seg.(DP)		Luminous Intensity I _v /Seg.(DP)	
				Typ.	Max.	Min.	Typ.
NFD-10013AH-21	NFD-10013BH-21	GaP/GaP Red	700	4.50(2.25)	5.00(2.50)	0.80 (0.40)	1.60 (0.80)
NFD-10013AS-21	NFD-10013BS-21	GaAlAs/GaAs SH Hi-Red	660	3.60(1.80)	4.40(2.20)	16.00 (8.00)	24.00 (12.00)
NFD-10013AD-21	NFD-10013BD-21	GaAlAs/GaAs DH Super Red	660	3.60(1.80)	4.40(2.20)	44.00 (22.00)	56.00 (28.00)
NFD-10013AE-21	NFD-10013BE-21	GaAsP/GaP Orange	632	4.20(2.10)	5.00(2.50)	16.00 (8.00)	24.00 (12.00)
NFD-10013AY-21	NFD-10013BY-21	GaAsP/GaP Yellow	585	4.20(2.10)	5.00(2.50)	8.00 (4.00)	14.00 (7.00)
NFD-10013AG-21	NFD-10013BG-21	GaP/GaP Green	568	4.40(2.20)	5.00(2.50)	14.00 (7.00)	22.00 (11.00)
Units			nm	V		mcd	

Maximum Ratings Ta=25°C (Derate above 25°C)

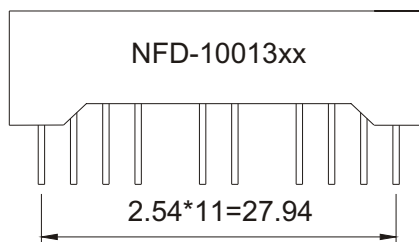
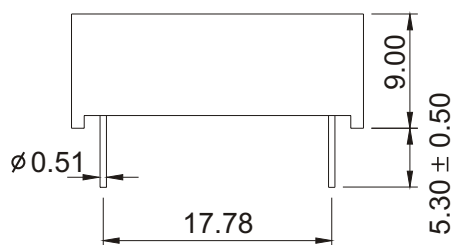
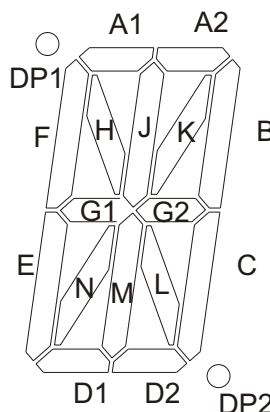
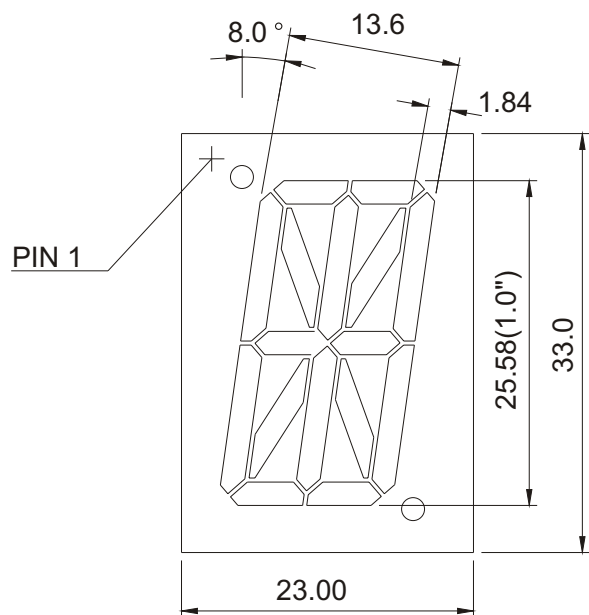
Characteristic	Test Condition	Symbol	H	S	D	E	Y	G	Units
Pulse Forward Current Per Seg.	1/10 duty cycle 0.1ms Pulse width	I _{FP}	50	100	100	100	100	100	mA
DC Forward Current Per Seg.		I _F	15	25	25	30	30	30	mA
Reverse Current Per Seg.	V _R =10V	I _R	10	10	10	10	10	10	μA
Power Dissipation		P _D	40*28	60*28	60*28	80*28	80*28	80*28	mW
Operating Temperature		T _{OPR}	-40 to +80						°C
Storage Temperature		T _{TSG}	-40 to +85						°C
Lead soldering temperature	1.60mm from body maximum 3 seconds		260						°C

Checked	Chen N.H.	Approved	Jason Chen	Date	Apr/12/2007	PAGE 1 / 2			
---------	-----------	----------	------------	------	-------------	------------	--	--	--



1.00"(25.58mm)Single Digit Alphanumeric Display

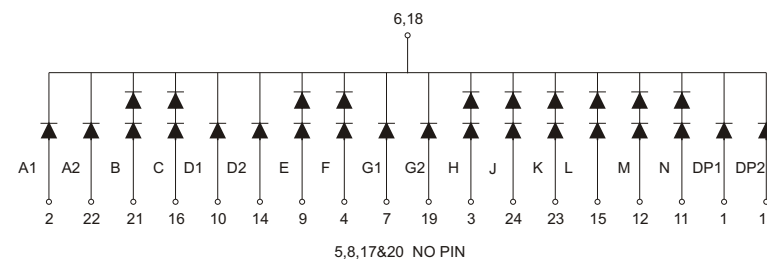
PACKAGE DIMENSION



Tolerance ±0.25mm unless stated

INTERNAL CIRCUIT DIAGRAM

Common Cathode NFD-10013Ax



Common Anode NFD-10013Bx

