



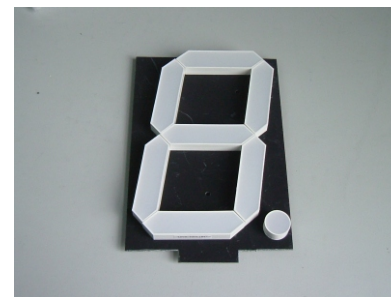
12.00"(312.00mm)Single Digit 7 Segment Display

Features:

- *Ultra segment intensity
- *Wide viewing angle
- *Range of colors
- *White face White segment
- *RoHS compliant

Available option:

- *Alternative face and segment color
- *Alternative font
- *Cropped terminal pins
- *Available emitting color
- *Low current version



Electro/Optical Characteristics If=20mA Ta=25°C

Part Number Common Cathode	Part Number Common Anode	Emitting Color	Peak Wavelength	Forward Voltage V _F /Seg.(DP)		Luminous Intensity I _v /Seg.(DP)	
				Typ.	Max.	Min.	Typ.
	NFD-120011BUHR-01	AlGaInP/GaAs Ultra Red	640	30.00(10.00)	37.50(12.50)	2400.00(800.00)	3600.00(1200.00)
	NFD-120011BUE-01	AlGaInP/GaAs Ultra Orange	632	30.00(10.00)	37.50(12.50)	2400.00(800.00)	3600.00(1200.00)
	NFD-120011BYO-01	AlGaInP/GaAs Ultra Amber	605	30.00(10.00)	37.50(12.50)	2400.00(800.00)	3600.00(1200.00)
	NFD-120011BUY-01	AlGaInP/GaAs Ultra Yellow	590	30.00(10.00)	37.50(12.50)	2400.00(800.00)	3600.00(1200.00)
	NFD-120011BUG-01	AlGaInP/GaAs Ultra Green	574	31.50(10.50)	37.50(12.50)	1500.00(500.00)	2400.00(800.00)
	NFD-120011BPG-01	InGaN/SiC Pure Green	525	49.50(16.50)	57.00(19.00)	9000.00(3000.00)	12000.0(4000.00)
	NFD-120011BUB-01	InGaN/SiC Ultra Blue	470	49.50(16.50)	57.00(19.00)	2400.00(800.00)	6000.00(2000.00)
	NFD-120011BUW-01	InGaN/SiC Ultra White	X-0.31/Y-0.31	49.50(16.50)	57.00(19.00)	12000.00(4000.0)	30000.0(10000.0)
Units			nm	V		mcd	

Maximum Ratings Ta=25°C (Derate above 25°C)

Characteristic	Test Condition	Symbol	UR	UE	YO	UY	UG	PG	UB	UW	Units
Pulse Forward Current Per Seg.	1/10 duty cycle 0.1ms Pulse width	I _{FP}	100*4	100*4	100*4	100*4	100*4	100*4	100*4	100*4	mA
DC Forward Current Per Seg.		I _F	25*4	30*4	30*4	30*4	30*4	30*4	30*4	30*4	mA
Reverse Current Per Seg.	V _R =5V	I _R	10	10	10	10	10	10	10	10	μA
Power Dissipation		P _D	60*440	65*440	65*440	65*440	75*440	110*440	120*440	120*440	mW
Operating Temperature		T _{OPR}	-40 to +80								°C
Storage Temperature		T _{TSG}	-40 to +85								°C
Lead soldering temperature	1.60mm from body maximum 3 seconds		260								°C

Checked

Chen N.H.

Approved

Jason Chen

Date

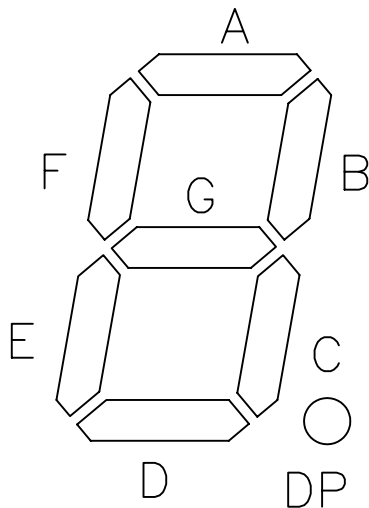
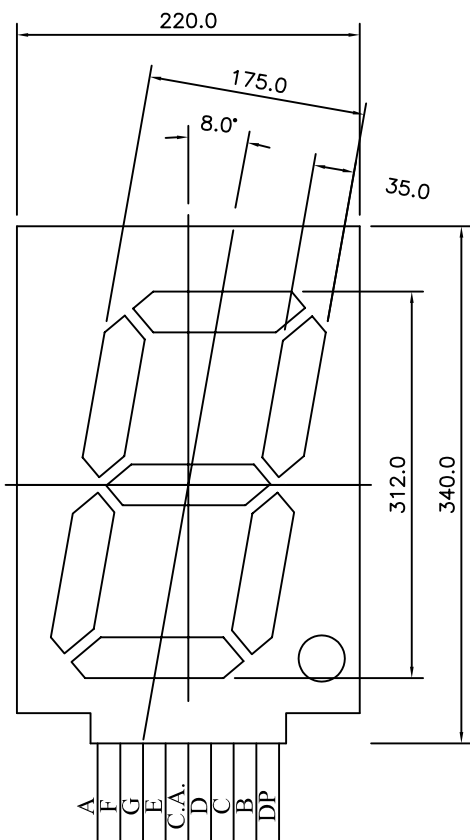
Mar/21/2007

PAGE 1 / 2



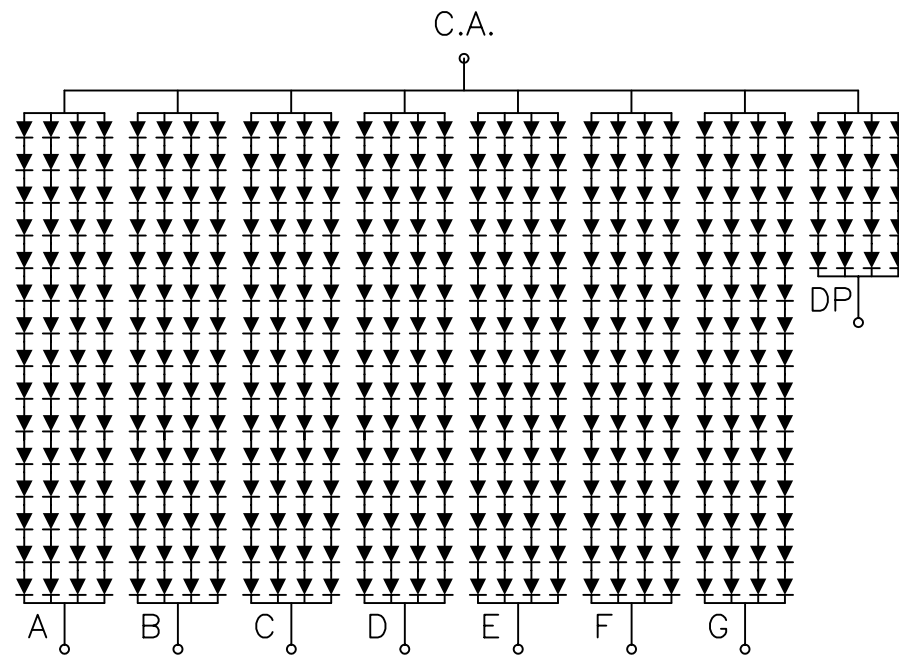
12.00"(312.00mm)Single Digit 7 Segment Display

PACKAGE DIMENSION



INTERNAL CIRCUIT DIAGRAM

Common Anode
NFD-120011Bx



Tolerance $\pm 0.25\text{mm}$ unless stated

Checked

Chen N.H.

Approved

Jason Chen

Date

Mar/21/2007

PAGE 2 /2