



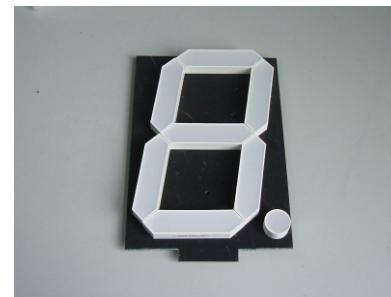
10.00"(250.00mm)Single Digit 7 Segment Display

Features:

- *High segment intensity
- *Wide viewing angle
- *Range of colors
- *White face White segment
- *RoHS compliant

Available option:

- *Available emitting color
- *Available segment color
- *Low current version



Electro/Optical Characteristics If=20mA Ta=25°C

Part Number Common Cathode	Part Number Common Anode	Emitting Color	Peak Wavelength	Forward Voltage V _F /Seg.		Luminous Intensity I _v /Seg.	
				Typ.	Max.	Min.	Typ.
	NFD-100011BS-01	GaAlAs/GaAs SH Hi-Red	660	18.00	22.00	320.00	480.00
	NFD-100011BD-01	GaAlAs/GaAs DH Super Red	660	18.00	22.00	880.00	1120.0
	NFD-100011BE-01	GaAsP/GaP Orange	632	21.00	25.00	320.00	480.00
	NFD-100011BY-01	GaAsP/GaP Yellow	585	21.00	25.00	160.00	280.00
	NFD-100011BG-01	GaP/GaP Green	568	22.00	25.00	280.00	440.00
Units			nm	V		mcd	

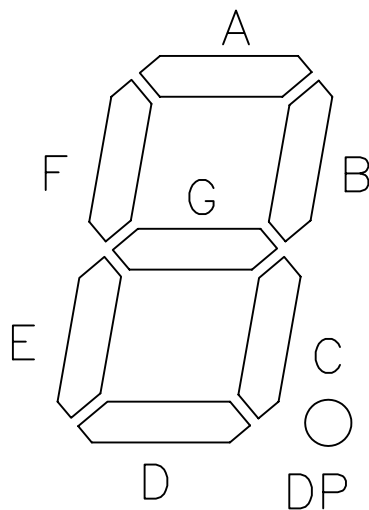
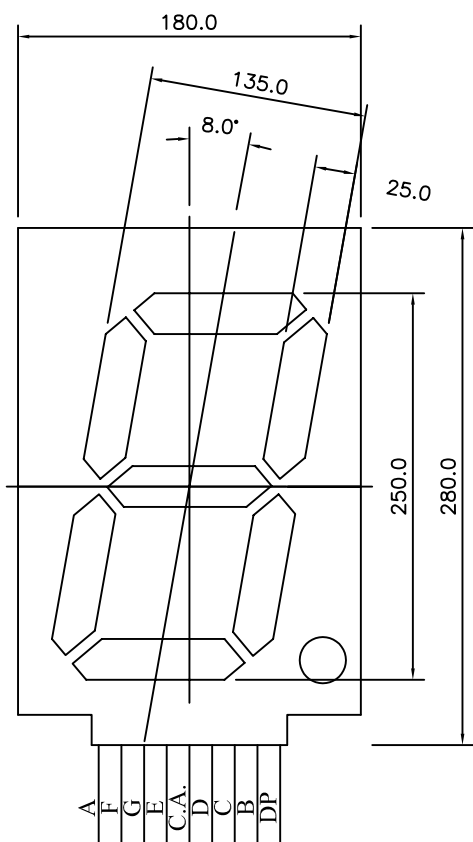
Maximum Ratings Ta=25°C (Derate above 25°C)

Characteristic	Test Condition	Symbol	S	D	E	Y	G	Units
Pulse Forward Current Per Seg.	1/10 duty cycle 0.1ms Pulse width	I _{FP}	100*4	100*4	100*4	100*4	100*4	mA
DC Forward Current Per Seg.		I _F	25*4	25*4	30*4	30*4	30*4	mA
Reverse Current Per Seg.	V _R =10V	I _R	10	10	10	10	10	μA
Power Dissipation		P _D	60*292	60*254	80*292	80*292	80*292	mW
Operating Temperature		T _{OPR}	-40 to +80					°C
Storage Temperature		T _{TSG}	-40 to +85					°C
Lead soldering temperature	1.60mm from body maximum 3 seconds		260					°C



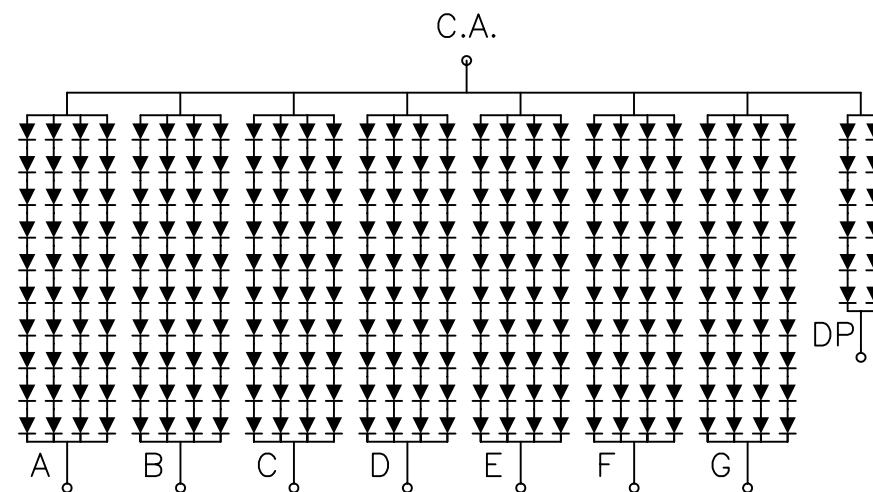
10.00"(250.00mm)Single Digit 7 Segment Display

PACKAGE DIMENSION



INTERNAL CIRCUIT DIAGRAM

Common Anode
NFD-100011Bx



Tolerance $\pm 0.25\text{mm}$ unless stated

Checked

Chen N.H.

Approved

Jason Chen

Date

Sep/04/2006

PAGE 2 /2