



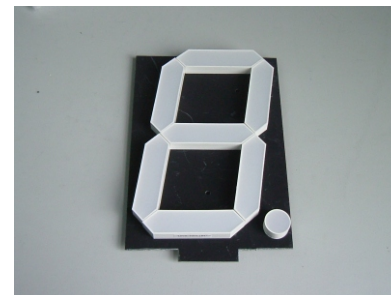
10.00"(250.00mm)Single Digit 7 Segment Display

**Features:**

- \*Ultra segment intensity
- \*Wide viewing angle
- \*Range of colors
- \*White face White segment
- \*RoHS compliant

**Available option:**

- \* Available emitting color
- \* Available segment color
- \* Low current version



**Electro/Optical Characteristics If=20\*4mA Ta=25 °C**

Part Number Common Cathode	Part Number Common Anode	Emitting Color	Peak Wavelength	Forward Voltage V <sub>F</sub> /Seg.		Luminous Intensity I <sub>v</sub> /Seg.	
				Typ.	Max.	Min.	Typ.
	NFD-100011BUE-01	AlGaInP/GaAs Ultra Orange	632	20.00(12.00)	25.00(15.00)	40*40(40*12)	60*40(220*12)
Units			nm	V		mcd	

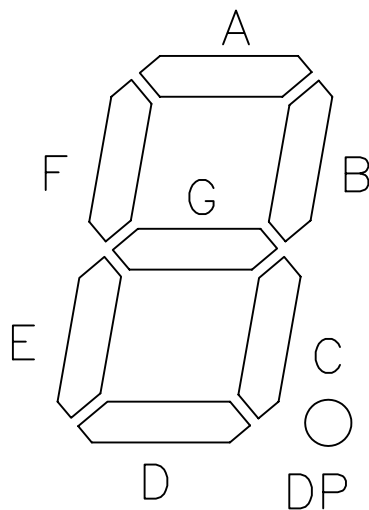
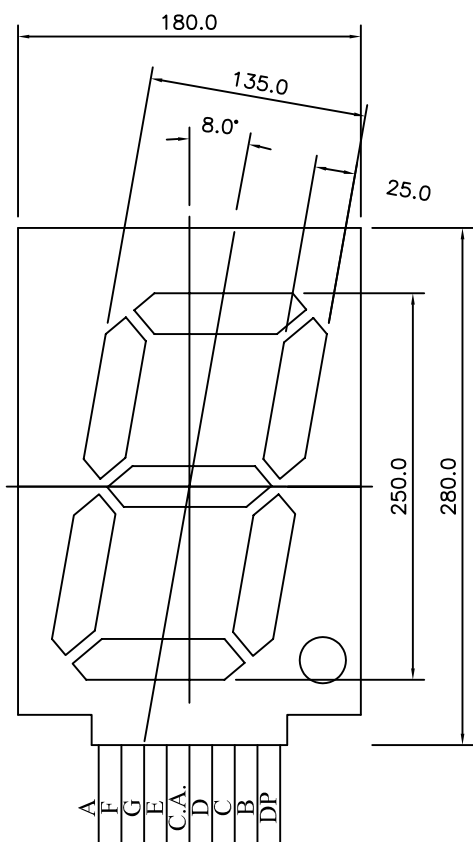
**Maximum Ratings Ta=25°C (Derate above 25°C)**

Characteristic	Test Condition	Symbol	UE					Units
Pulse Forward Current Per Seg.	1/10 duty cycle 0.1ms Pulse width	I <sub>FP</sub>	100*4					mA
DC Forward Current Per Seg.		I <sub>F</sub>	30*4					mA
Reverse Current Per Seg.	V <sub>R</sub> =10V	I <sub>R</sub>	10					μ A
Power Dissipation		P <sub>D</sub>	65*292					mW
Operating Temperature		T <sub>OPR</sub>					-40 to +80	°C
Storage Temperature		T <sub>TSG</sub>					-40 to +85	°C
Lead soldering temperature	1.60mm from body maximum 3 seconds						260	°C



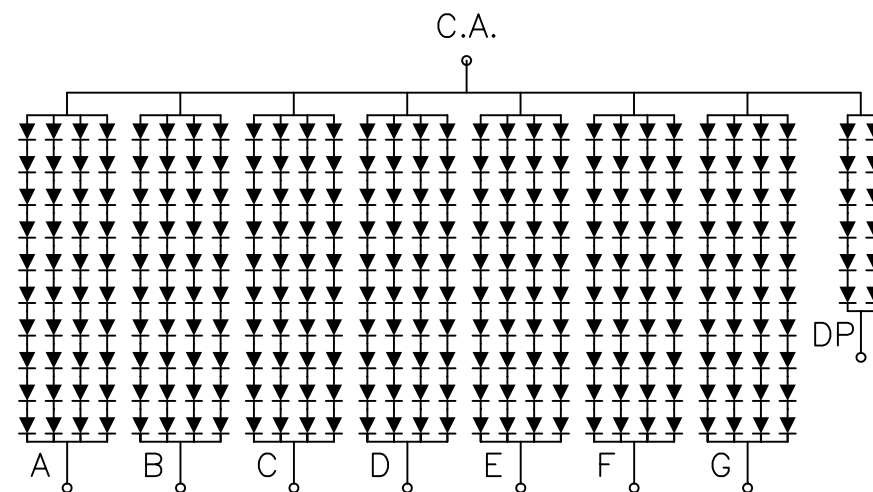
10.00"(250.00mm)Single Digit 7 Segment Display

PACKAGE DIMENSION



INTERNAL CIRCUIT DIAGRAM

Common Anode  
NFD-100011Bx



Tolerance  $\pm 0.25\text{mm}$  unless stated

Checked

Chen N.H.

Approved

Jason Chen

Date

Sep/04/2006

PAGE 2 /2