



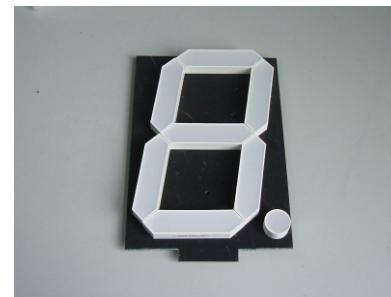
8.00"(200.00mm)Single Digit 7 Segment Display

**Features:**

- \*Ultra segment intensity
- \*Wide viewing angle
- \*Range of colors
- \*White face White segment
- \*RoHS compliant

**Available option:**

- \*Available emitting color
- \*Available segment color
- \*Low current version



**Electro/Optical Characteristics If=20\*5mA(20mA) Ta=25°C**

Part Number Common Cathode	Part Number Common Anode	Emitting Color	Peak Wavelength	Forward Voltage V <sub>F</sub> /Seg.(DP)		Luminous Intensity I <sub>v</sub> /Seg.(DP)	
				Typ.	Max.	Min.	Typ.
	NFD-80011BUBf-01	InGaN Ultra Blue	470	23.10(29.70)	26.60(34.20)	40*35(40*9)	100*35(100*9)
Units			nm	V		mcd	

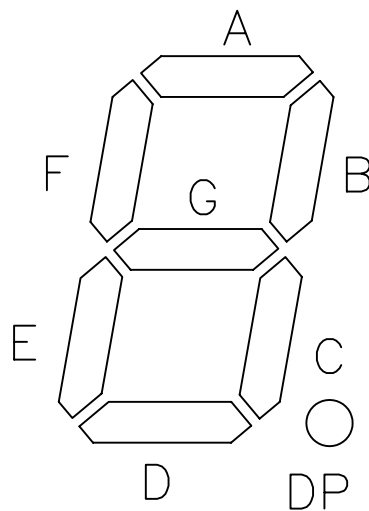
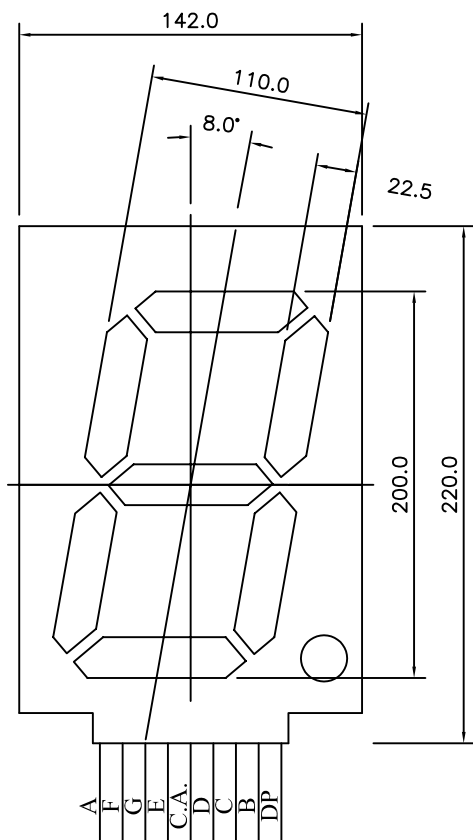
**Maximum Ratings Ta=25°C (Derate above 25°C)**

Characteristic	Test Condition	Symbol	UB					Units
Pulse Forward Current Per Seg.	1/10 duty cycle 0.1ms Pulse width	I <sub>FP</sub>	100*5					mA
DC Forward Current Per Seg.		I <sub>F</sub>	30*5					mA
Reverse Current Per Seg.	V <sub>R</sub> =10V	I <sub>R</sub>	10					μ A
Power Dissipation		P <sub>D</sub>	120*254					mW
Operating Temperature		T <sub>OPR</sub>					-40 to +80	°C
Storage Temperature		T <sub>TSG</sub>					-40 to +85	°C
Lead soldering temperature	1.60mm from body maximum 3 seconds						260	°C



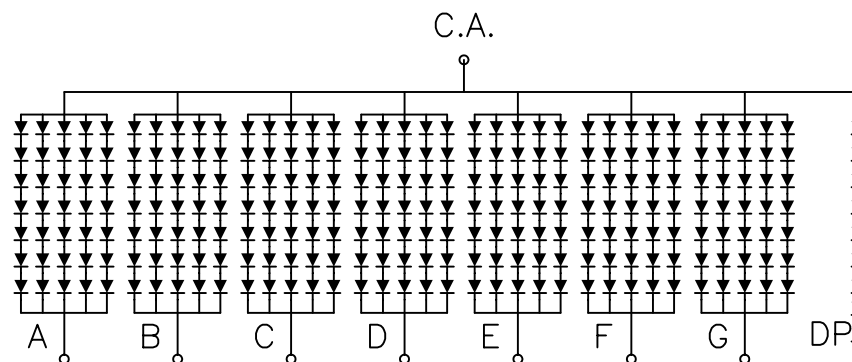
8.00"(200.00mm)Single Digit 7 Segment Display

PACKAGE DIMENSION



INTERNAL CIRCUIT DIAGRAM

Common Anode  
NFD-80011Bx



Tolerance  $\pm 0.25\text{mm}$  unless stated

Checked

Chen N.H.

Approved

Jason Chen

Date

May/28/2008

PAGE 2 /2