



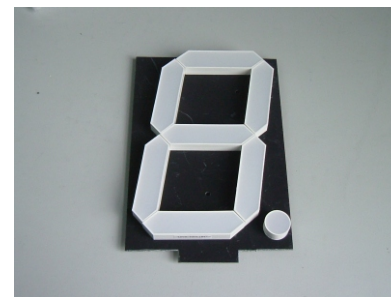
8.00"(200.00mm)Single Digit 7 Segment Display

Features:

- *Ultra segment intensity
- *Wide viewing angle
- *Range of colors
- *White face White segment
- *RoHS compliant

Available option:

- *Alternative face and segment color
- *Alternative font
- *Cropped terminal pins
- *Available emitting color
- *Low current version



Electro/Optical Characteristics If=20mA Ta=25°C

Part Number Common Cathode	Part Number Common Anode	Emitting Color	Peak Wavelength	Forward Voltage V _F /Seg.(DP)		Luminous Intensity I _v /Seg.(DP)	
				Typ.	Max.	Min.	Typ.
NFD-80011AUHR-01		AlGaInP/GaAs Ultra Red	640	14.00(18.00)	17.50(22.50)	1400.00(360.00)	2100.00(540.00)
NFD-80011AUE-01		AlGaInP/GaAs Ultra Orange	632	14.00(18.00)	17.50(22.50)	1400.00(360.00)	2100.00(540.00)
NFD-80011AYO-01		AlGaInP/GaAs Ultra Amber	605	14.00(18.00)	17.50(22.50)	1400.00(360.00)	2100.00(540.00)
NFD-80011AUY-01		AlGaInP/GaAs Ultra Yellow	590	14.00(18.00)	17.50(22.50)	1400.00(360.00)	2100.00(540.00)
NFD-80011AUG-01		AlGaInP/GaAs Ultra Green	574	14.70(18.90)	17.50(22.50)	875.00(225.00)	1400.00(360.00)
NFD-80011APG-01		InGaN/SiC Pure Green	525	23.10(29.70)	26.60(34.20)	5250.00(1350.00)	7000.00(1800.00)
NFD-80011AUB-01		InGaN/SiC Ultra Blue	470	23.10(29.70)	26.60(34.20)	1400.00(360.00)	3500.00(900.00)
NFD-80011AUW-01		InGaN/SiC Ultra White	X-0.31/Y-0.31	23.10(29.70)	26.60(34.20)	7000.00(1800.00)	17500.00(4500.0)
Units			nm	V		mcd	

Maximum Ratings Ta=25°C (Derate above 25°C)

Characteristic	Test Condition	Symbol	UHR	UE	YO	UY	UG	PG	UB	UW	Units
Pulse Forward Current Per Seg.	1/10 duty cycle 0.1ms Pulse width	I _{FP}	100*5	100*5	100*5	100*5	100*5	100*5	100*5	100*5	mA
DC Forward Current Per Seg.		I _F	30*5	30*5	30*5	30*5	30*5	30*5	30*5	30*5	mA
Reverse Current Per Seg.	V _R =10V	I _R	10	10	10	10	10	10	10	10	μA
Power Dissipation		P _D	65*254	65*254	65*254	65*254	75*254	110*254	120*254	120*254	mW
Operating Temperature		T _{OPR}	-40 to +80								°C
Storage Temperature		T _{TSG}	-40 to +85								°C
Lead soldering temperature	1.60mm from body maximum 3 seconds		260								°C

Checked

Chen N.H.

Approved

Jason Chen

Date

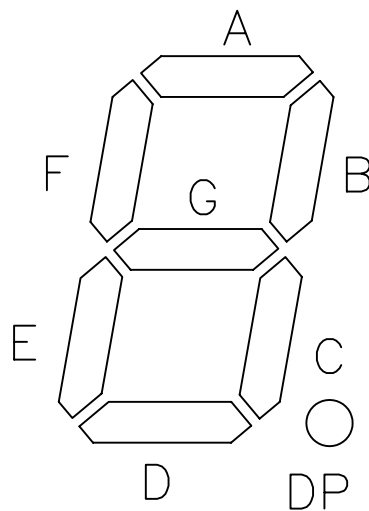
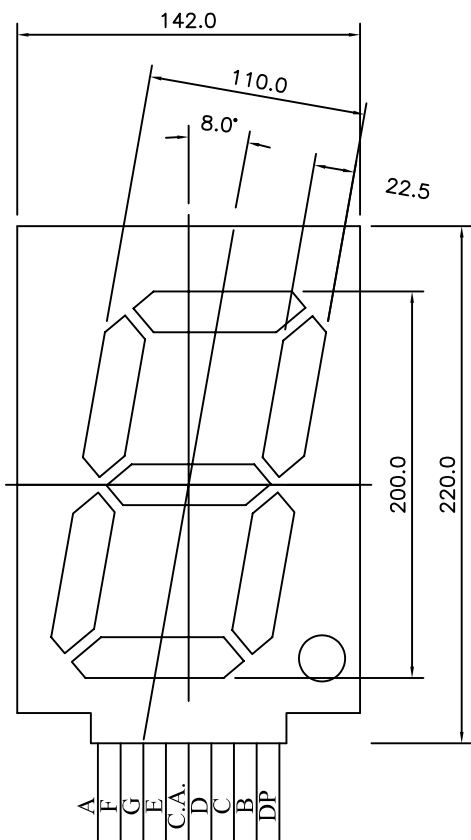
Mar/21/2007

PAGE 1 / 2



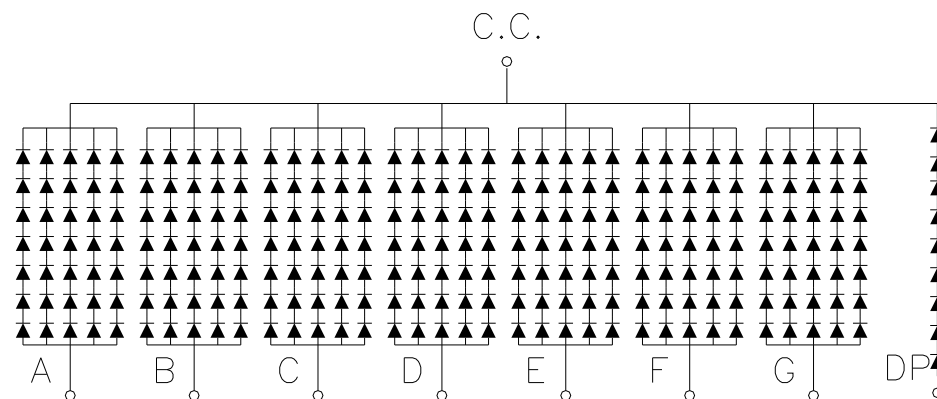
8.00"(200.00mm)Single Digit 7 Segment Display

PACKAGE DIMENSION



INTERNAL CIRCUIT DIAGRAM

Common Cathode
NFD-80011Ax



Tolerance $\pm 0.25\text{mm}$ unless stated

Checked

Chen N.H.

Approved

Jason Chen

Date

Mar/21/2007

PAGE 2 /2