



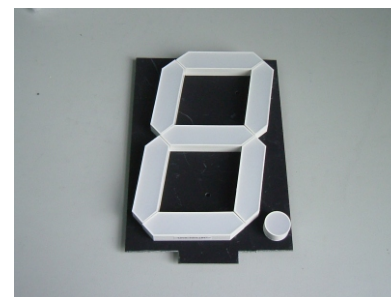
6.00"(152.40mm)Single Digit 7 Segment Display

Features:

- *High segment intensity
- *Wide viewing angle
- *Range of colors
- *White face White segment
- *RoHS compliant

Available option:

- * Available emitting color
- * Available Segment color
- * Low current version



Electro/Optical Characteristics If=20*2mA Ta=25°C

Part Number Common Cathode	Part Number Common Anode	Emitting Color	Peak Wavelength	Forward Voltage V _F /Seg.(DP)		Luminous Intensity I _v /Seg.(DP)	
				Typ.	Max.	Min.	Typ.
	NFD-60011BUE-01	AlGaInP Ultra Orange	632	14.00(6.00)	17.50(10.00)	560.00(160.00)	840.00(240.00)
	NFD-60011BS-01	GaAlAs/GaAs SH Hi-Red	660	12.60(7.20)	15.40(8.80)	112.00(32.00)	168.00(48.00)
	NFD-60011BD-01	GaAlAs/GaAs DH Super Red	660	12.60(7.20)	15.40(8.80)	308.00(88.00)	392.00(112.00)
	NFD-60011BE-01	GaAsP/GaP Orange	632	14.70(8.40)	17.50(10.00)	112.00(32.00)	168.00(48.00)
	NFD-60011BY-01	GaAsP/GaP Yellow	585	14.70(8.40)	17.50(10.00)	56.00(16.00)	98.00(28.00)
	NFD-60011BG-01	GaP/GaP Green	568	15.40(8.80)	17.50(10.00)	98.00(28.00)	154.00(44.00)
Units			nm	V		mcd	

Maximum Ratings Ta=25°C (Derate above 25°C)

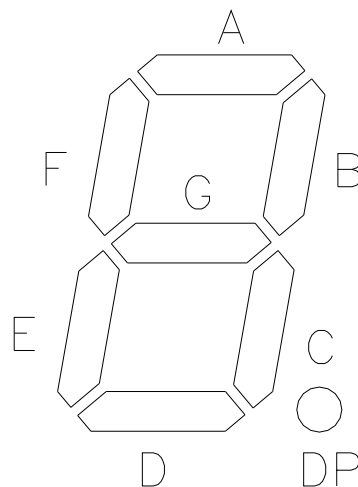
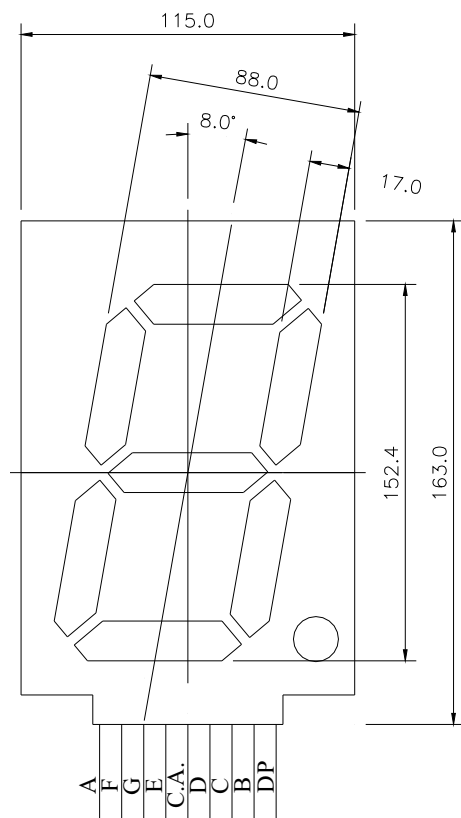
Characteristic	Test Condition	Symbol	UE	S	D	E	Y	G	Units
Pulse Forward Current Per Seg.	1/10 duty cycle 0.1ms Pulse width	I _{FP}	100*2	100*2	100*2	100*2	100*2	100*2	mA
DC Forward Current Per Seg.		I _F	30*2	25*2	25*2	30*2	30*2	30*2	mA
Reverse Current Per Seg.	V _R =10V	I _R	10	10	10	10	10	10	μA
Power Dissipation		P _D	65*102	60*102	60*102	80*102	80*102	80*102	mW
Operating Temperature		T _{OPR}	-40 to +80						°C
Storage Temperature		T _{TSG}	-40 to +85						°C
Lead soldering temperature	1.60mm from body maximum 3 seconds		260						°C

Checked	Chen N.H.	Approved	Jason Chen	Date	Sep/25/2006	PAGE 1 / 2			
---------	-----------	----------	------------	------	-------------	------------	--	--	--



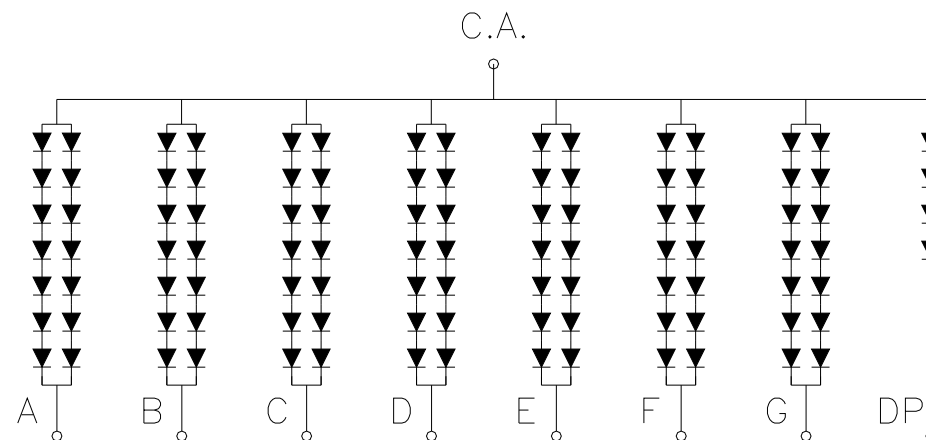
6.00"(152.40mm)Single Digit 7 Segment Display

PACKAGE DIMENSION



INTERNAL CIRCUIT DIAGRAM

Common Anode
NFD-60011Bx



Tolerance $\pm 0.25\text{mm}$ unless stated

Checked

Chen N.H.

Approved

Jason Chen

Date

Sep/25/2006

PAGE 2 /2