



## 5.00"(126.60mm)Single Digit 7 Segment Display

### Features:

- \*High segment intensity
- \*Wide viewing angle
- \*Range of colors
- \*Black face White segment
- \*RoHS compliant

### Available option:

- \*Alternative face and segment color
- \*Alternative font
- \*Cropped terminal pins
- \*Available emitting color
- \*Low current version

### Electro/Optical Characteristics If=20mA Ta=25°C

Part Number Common Cathode	Part Number Common Anode	Emitting Color	Peak Wavelength	Forward Voltage V <sub>F</sub> /Seg.(DP)		Luminous Intensity I <sub>v</sub> /Seg.(DP)	
				Typ.	Max.	Min.	Typ.
NFD-50011AS-11	NFD-50011BS-11	GaAlAs/GaAs SH Hi-Red	660	18.00(5.40)	22.00(6.60)	160.00(24.00)	240.00(36.00)
NFD-50011AD-11	NFD-50011BD-11	GaAlAs/GaAs DH Super Red	660	18.00(5.40)	22.00(6.60)	440.00(66.00)	560.00(84.00)
NFD-50011AE-11	NFD-50011BE-11	GaAsP/GaP Orange	632	21.00(6.30)	25.00(7.50)	160.00(24.00)	240.00(36.00)
NFD-50011AY-11	NFD-50011BY-11	GaAsP/GaP Yellow	585	21.00(6.30)	25.00(7.50)	80.00(12.00)	140.00(21.00)
NFD-50011AG-11	NFD-50011BG-11	GaP/GaP Green	568	22.00(6.60)	25.00(7.50)	140.00(21.00)	220.00(33.00)
Units			nm	V		mcd	

### Maximum Ratings Ta=25°C (Derate above 25°C)

Characteristic	Test Condition	Symbol	S	D	E	Y	G	Units
Pulse Forward Current Per Seg.	1/10 duty cycle 0.1ms Pulse width	I <sub>FP</sub>	100*2(100)	100*2(100)	100*2(100)	100*2(100)	100*2(100)	mA
DC Forward Current Per Seg.		I <sub>F</sub>	25*2(25)	25*2(25)	30*2(30)	30*2(30)	30*2(30)	mA
Reverse Current Per Seg.	V <sub>R</sub> =5V	I <sub>R</sub>	10	10	10	10	10	μA
Power Dissipation		P <sub>D</sub>	60*146	60*146	80*146	80*146	80*146	mW
Operating Temperature		T <sub>OPR</sub>	-40 to +80					°C
Storage Temperature		T <sub>TSG</sub>	-40 to +85					°C
Lead soldering temperature	1.60mm from body maximum 3 seconds		260					°C

Checked

Chen N.H.

Approved

Jason Chen

Date

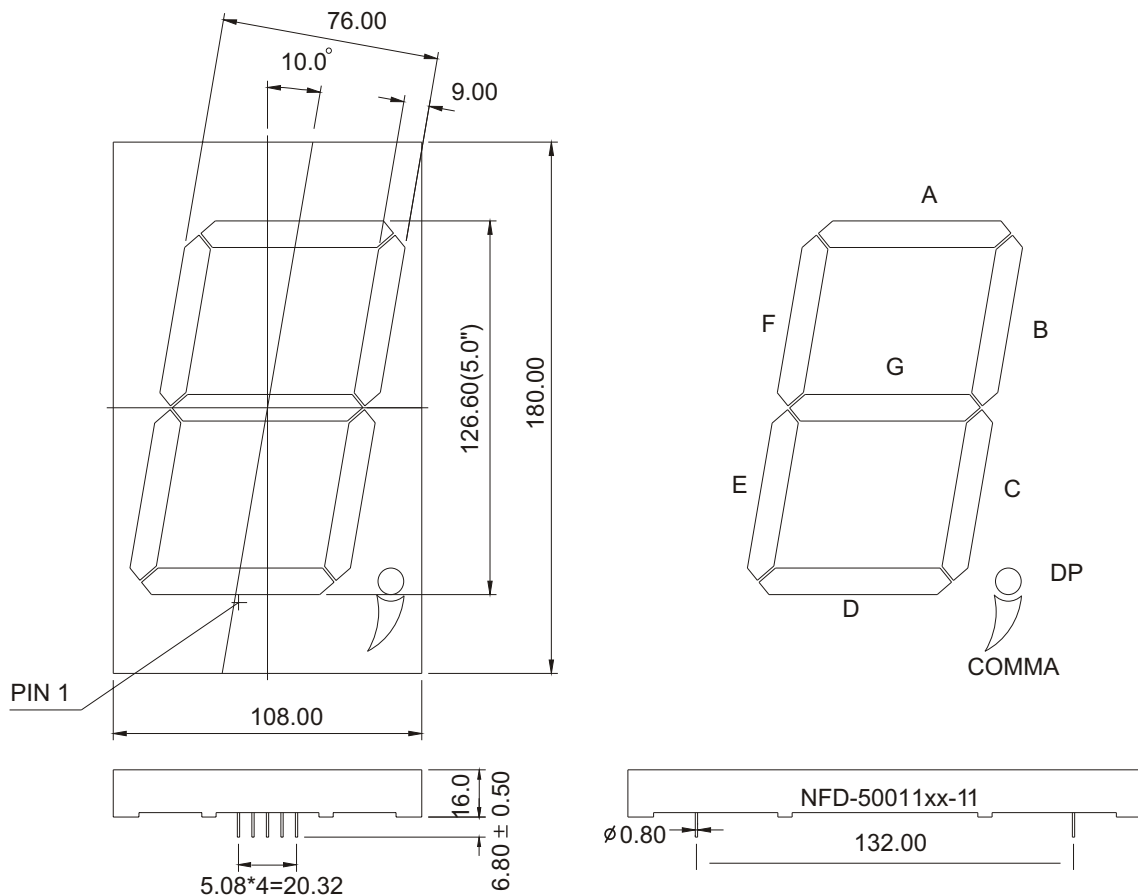
Mar/21/2007

PAGE 1 / 2



# 5.00"(126.60mm)Single Digit 7 Segment Display

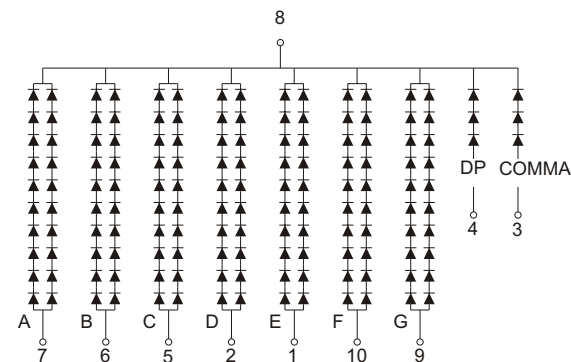
## PACKAGE DIMENSION



Tolerance  $\pm 0.25\text{mm}$  unless stated

## INTERNAL CIRCUIT DIAGRAM

Common Cathode  
NFD-50011Ax



Common Anode  
NFD-50011Bx

