



5.00"(126.60mm)Single Digit 7 Segment Display

Features:

- *Ultra segment intensity
- *Wide viewing angle
- *Range of colors
- *Black face White segment
- *RoHS compliant

Available option:

- *Alternative face and segment color
- *Alternative font
- *Cropped terminal pins
- *Available emitting color
- *Low current version

Electro/Optical Characteristics If=20mA Ta=25°C

Part Number Common Cathode	Part Number Common Anode	Emitting Color	Peak Wavelength	Forward Voltage V _F /Seg.(DP)		Luminous Intensity I _v /Seg.(DP)	
				Typ.	Max.	Min.	Typ.
NFD-50011AUHR-11	NFD-50011BUHR-11	AlGaInP/GaAs Ultra Red	640	20.00(6.00)	25.00(7.50)	800.00(120.00)	1200.00(180.00)
NFD-50011AUE-11	NFD-50011BUE-11	AlGaInP/GaAs Ultra Orange	632	20.00(6.00)	25.00(7.50)	800.00(120.00)	1200.00(180.00)
NFD-50011AYO-11	NFD-50011BYO-11	AlGaInP/GaAs Ultra Amber	605	20.00(6.00)	25.00(7.50)	800.00(120.00)	1200.00(180.00)
NFD-50011AUY-11	NFD-50011BUY-11	AlGaInP/GaAs Ultra Yellow	590	20.00(6.00)	25.00(7.50)	800.00(120.00)	1200.00(180.00)
NFD-50011AUG-11	NFD-50011BUG-11	AlGaInP/GaAs Ultra Green	574	21.00(6.30)	25.00(7.50)	500.00(75.00)	800.00(120.00)
NFD-50011APG-11	NFD-50011BPG-11	InGaN/SiC Pure Green	525	33.00(9.90)	38.00(11.40)	3000.00(450.00)	4000.00(600.00)
NFD-50011AUB-11	NFD-50011BUB-11	InGaN/SiC Ultra Blue	470	33.00(9.90)	38.00(11.40)	800.00(120.00)	2000.00(300.00)
NFD-50011AUW-11	NFD-50011BUW-11	InGaN/SiC Ultra White	X-0.31/Y-0.31	33.00(9.90)	38.00(11.40)	4000.00(600.00)	10000.0(1500.0)
Units			nm	V		mcd	

Maximum Ratings Ta=25°C (Derate above 25°C)

Characteristic	Test Condition	Symbol	UHR	UE	YO	UY	UG	PG	UB	UW	Units
Pulse Forward Current Per Seg.	1/10 duty cycle 0.1ms Pulse width	I _{FP}	100*2(100)	100*2(100)	100*2(100)	100*2(100)	100*2(100)	100*2(100)	100*2(100)	100*2(100)	mA
DC Forward Current Per Seg.		I _F	30*2(30)	30*2(30)	30*2(30)	30*2(30)	30*2(30)	30*2(30)	30*2(30)	30*2(30)	mA
Reverse Current Per Seg.	V _R =5V	I _R	10	10	10	10	10	10	10	10	μA
Power Dissipation		P _D	60*146	65*146	65*146	65*146	75*146	110*146	120*146	120*146	mW
Operating Temperature		T _{OPR}	-40 to +80								°C
Storage Temperature		T _{TSG}	-40 to +85								°C
Lead soldering temperature	1.60mm from body maximum 3 seconds		260								°C

Checked

Chen N.H.

Approved

Jason Chen

Date

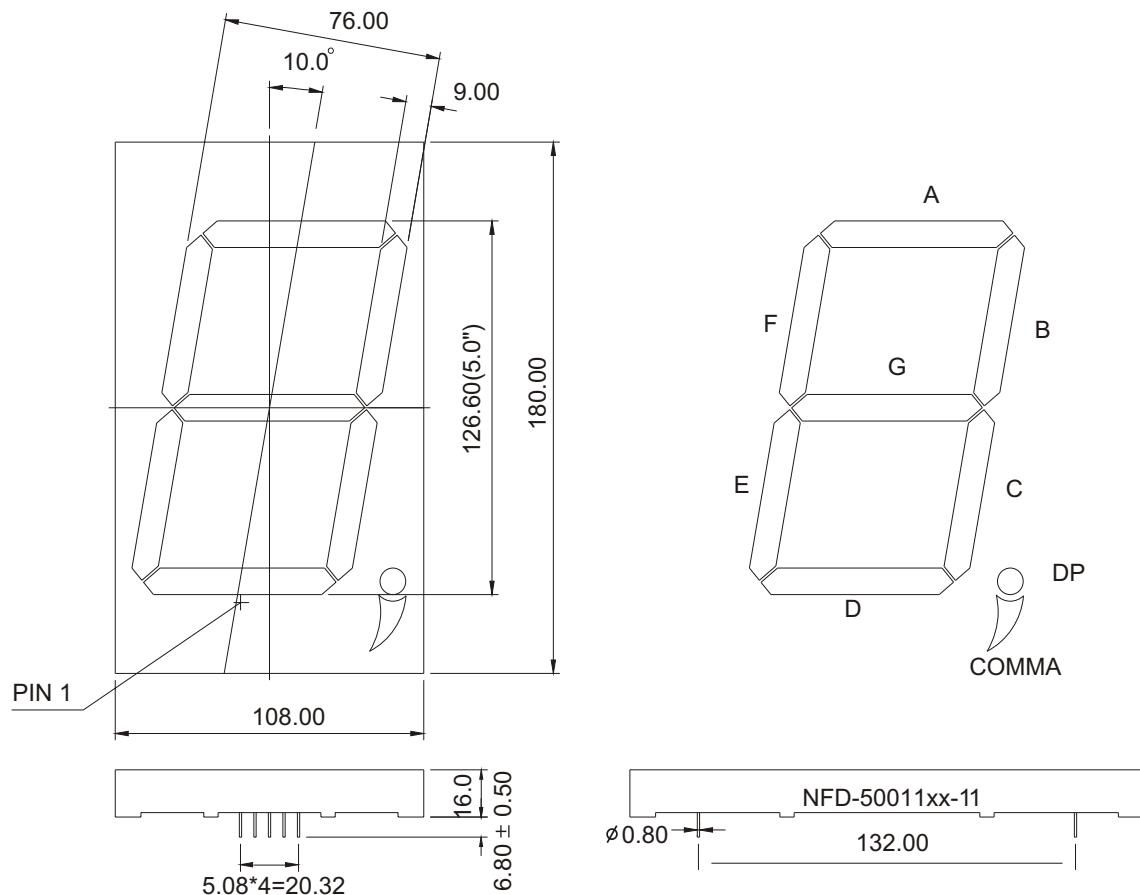
Mar/21/2007

PAGE 1 / 2



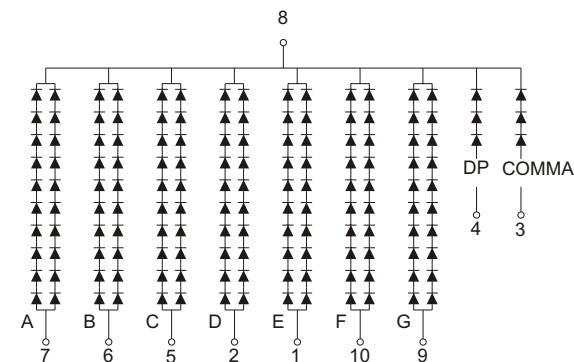
5.00"(126.60mm)Single Digit 7 Segment Display

PACKAGE DIMENSION

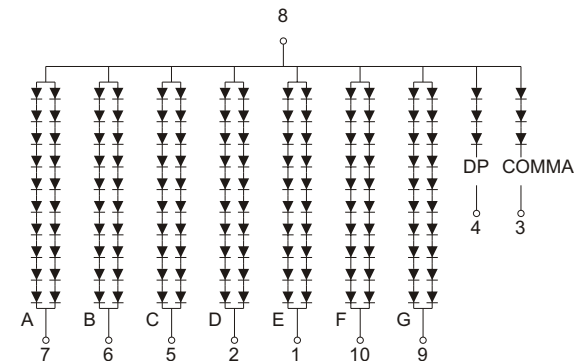


INTERNAL CIRCUIT DIAGRAM

Common Cathode
NFD-50011Ax



Common Anode
NFD-50011Bx



Tolerance $\pm 0.25\text{mm}$ unless stated