



### 4.00"(101.60mm)Single Digit 7 Segment Display

**Features:**

- \*High segment intensity
- \*Wide viewing angle
- \*Range of colors
- \*Red face Red segment
- \*RoHS compliant

**Available option:**

- \*Available emitting color
- \*Available segment color
- \*Low current version

**Electro/Optical Characteristics If=20mA Ta=25°C**

Part Number Common Cathode	Part Number Common Anode	Emitting Color	Peak Wavelength	Forward Voltage V <sub>F</sub> /Seg.(DP)		Luminous Intensity I <sub>v</sub> /Seg.(DP)	
				Typ.	Max.	Min.	Typ.
NFD-40011CUE321	NFD-40011DUE-32	AlGaInP Ultra Orange	632	8.00(4.00)	10.00(5.00)	320.00(80.00)	480.00(120.00)
NFD-40011CS-32	NFD-40011DS-32	GaAlAs/GaAs SH Hi-Red	660	7.20(3.60)	8.80 (4.40)	64.00 (16.00)	96.00 (32.00)
NFD-40011CD-32	NFD-40011DD-32	GaAlAs/GaAs DH Super Red	660	7.20(3.60)	8.80 (4.40)	176.00(44.00)	224.00(56.00)
NFD-40011CE-32	NFD-40011DE-32	GaAsP/GaP Orange	632	8.40(4.20)	10.00(5.00)	64.00 (16.00)	96.00 (32.00)
Units			nm	V		mcd	

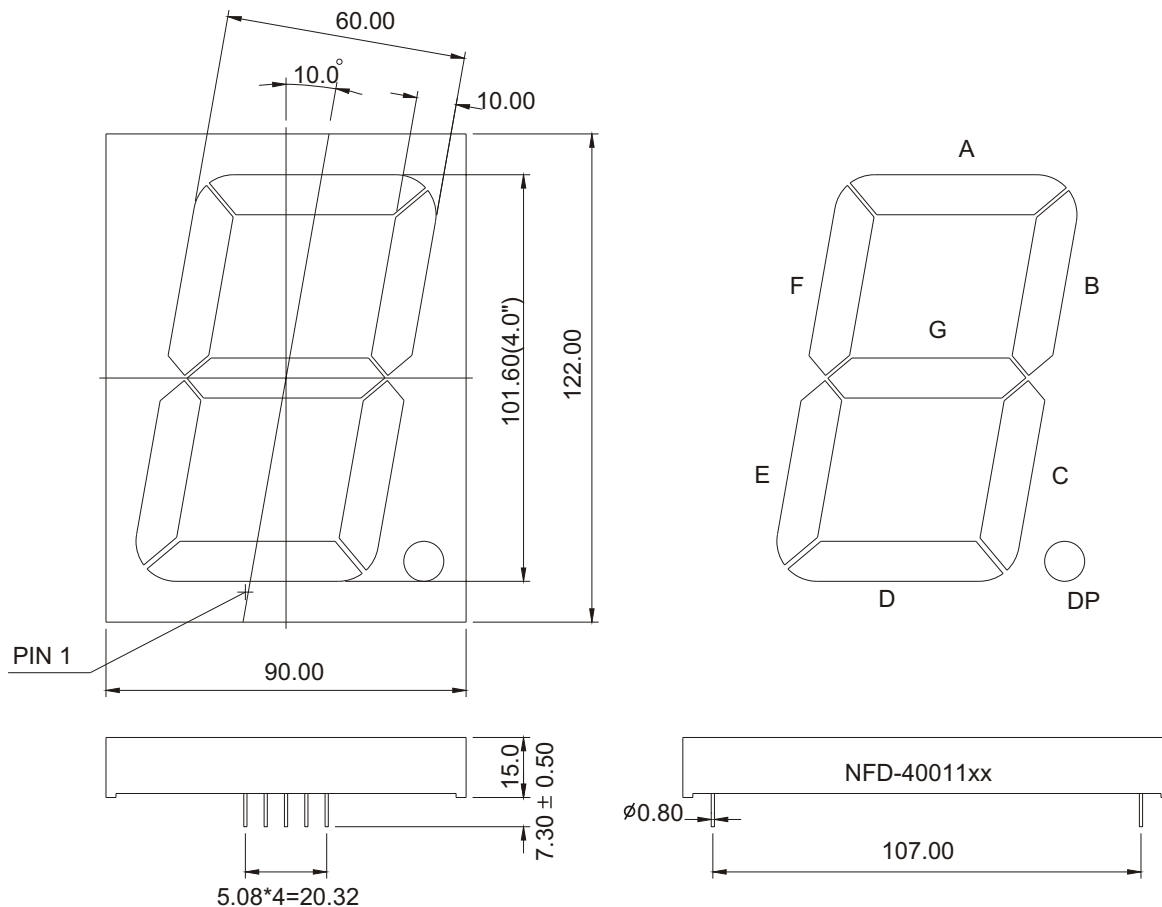
**Maximum Ratings Ta=25°C (Derate above 25°C)**

Characteristic	Test Condition	Symbol	UE	S	D	E		Units
Pulse Forward Current Per Seg.	1/10 duty cycle 0.1ms Pulse width	I <sub>FP</sub>	100	100*2	100*2	100*2		mA
DC Forward Current Per Seg.		I <sub>F</sub>	30	25*2	25*2	30*2		mA
Reverse Current Per Seg.	V <sub>R</sub> =10V	I <sub>R</sub>	10	10	10	10		μ A
Power Dissipation		P <sub>D</sub>	65*58	60*58	60*58	80*58		mW
Operating Temperature		T <sub>OPR</sub>	-40 to +80					°C
Storage Temperature		T <sub>TSG</sub>	-40 to +85					°C
Lead soldering temperature	1.60mm from body maximum 3 seconds		260					°C



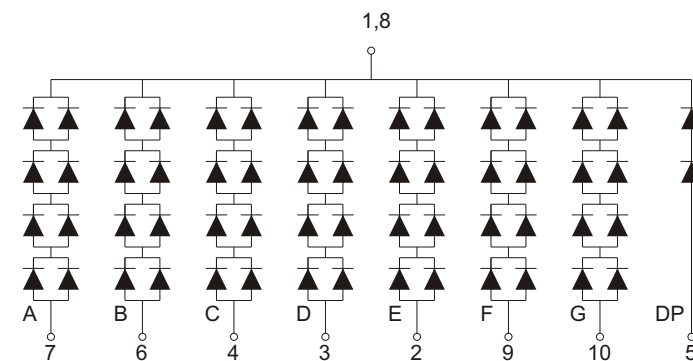
# 4.00"(101.60mm)Single Digit 7 Segment Display

## PACKAGE DIMENSION

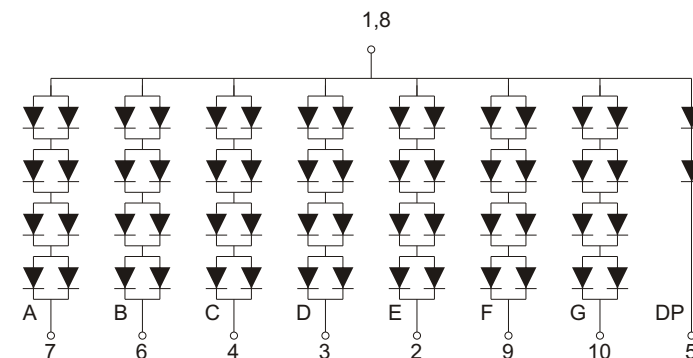


## INTERNAL CIRCUIT DIAGRAM

Common Cathode  
NFD-40011Cx



Common Anode  
NFD-40011Dx



Tolerance ±0.25mm unless stated