



4.00"(101.60mm)Single Digit 7 Segment Display

Features:

- *High segment intensity
- *Wide viewing angle
- *Range of colors
- *Gray face White segment
- *RoHS compliant

Available option:

- *Available emitting color
- *Available segment color
- *Low current version

Electro/Optical Characteristics If=20mA Ta=25°C

Part Number Common Cathode	Part Number Common Anode	Emitting Color	Peak Wavelength	Forward Voltage V _F /Seg.(DP)		Luminous Intensity I _v /Seg.(DP)	
				Typ.	Max.	Min.	Typ.
NFD-40011CS-21	NFD-40011DS-21	GaAlAs/GaAs SH Hi-Red	660	7.20(3.60)	8.80 (4.40)	64.00 (16.00)	96.00 (32.00)
NFD-40011CD-21	NFD-40011DD-21	GaAlAs/GaAs DH Super Red	660	7.20(3.60)	8.80 (4.40)	176.00(44.00)	224.00(56.00)
NFD-40011CE-21	NFD-40011DE-21	GaAsP/GaP Orange	632	8.40(4.20)	10.00(5.00)	64.00 (16.00)	96.00 (32.00)
NFD-40011CY-21	NFD-40011DY-21	GaAsP/GaP Yellow	585	8.40(4.20)	10.00(5.00)	32.00 (4.00)	56.00 (14.00)
NFD-40011CG-21	NFD-40011DG-21	GaP/GaP Green	568	8.80(4.20)	10.00(5.00)	56.00 (14.00)	88.00 (22.00)
Units			nm	V		mcd	

Maximum Ratings Ta=25°C (Derate above 25°C)

Characteristic	Test Condition	Symbol	S	D	E	Y	G	Units
Pulse Forward Current Per Seg.	1/10 duty cycle 0.1ms Pulse width	I _{FP}	100*2	100*2	100*2	100*2	100*2	mA
DC Forward Current Per Seg.		I _F	25*2	25*2	30*2	30*2	30*2	mA
Reverse Current Per Seg.	V _R =10V	I _R	10	10	10	10	10	μA
Power Dissipation		P _D	60*58	60*58	80*58	80*58	80*58	mW
Operating Temperature		T _{OPR}	-40 to +80					°C
Storage Temperature		T _{TSG}	-40 to +85					°C
Lead soldering temperature	1.60mm from body maximum 3 seconds		260					°C

Checked

Chen N.H.

Approved

Jason Chen

Date

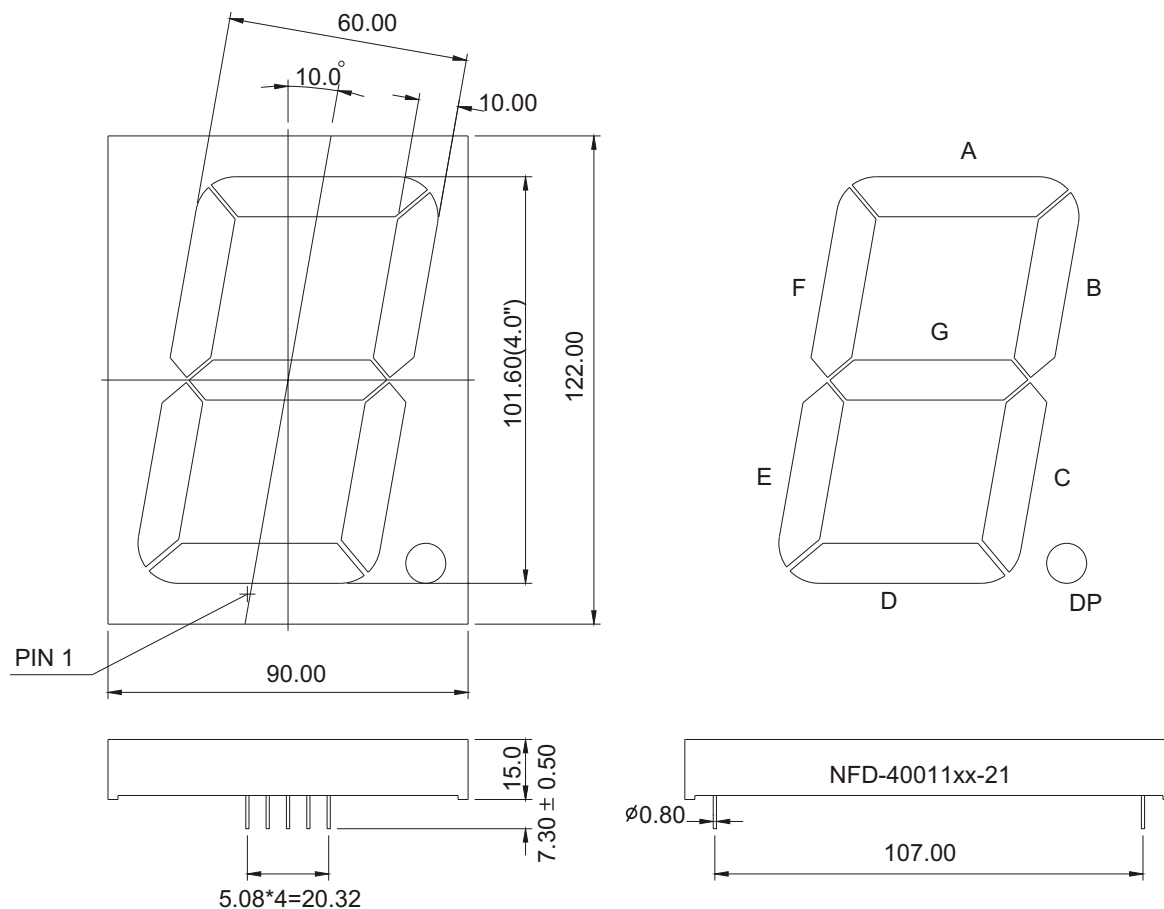
Sep/19/2006

PAGE 1 / 2



4.00"(101.60mm) Single Digit 7 Segment Display

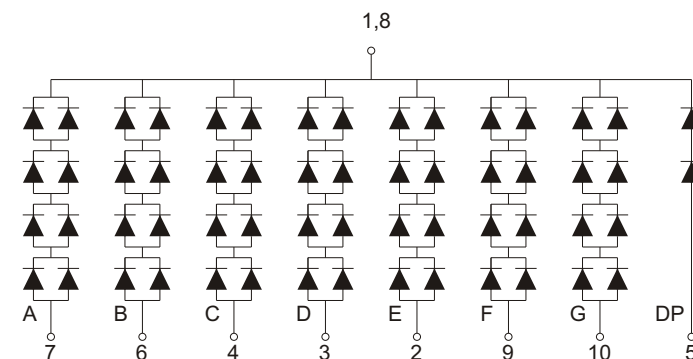
PACKAGE DIMENSION



Tolerance $\pm 0.25\text{mm}$ unless stated

INTERNAL CIRCUIT DIAGRAM

Common Cathode
NFD-40011Cx



Common Anode
NFD-40011Dx

