



4.00"(101.60mm)Single Digit Bi-Color 7 Segment Display

**Features:**

- \*High segment intensity
- \*Wide viewing angle
- \*Range of colors
- \*Gray face White segment
- \*RoHS compliant

**Available option:**

- \*Alternative face and segment color
- \*Alternative font
- \*Cropped terminal pins
- \*Available emitting color
- \*Low current version

**Electro/Optical Characteristics If=20mA Ta=25°C**

Part Number Common Cathode	Part Number Common Anode	Emitting Color	Peak Wavelength	Forward Voltage V <sub>F</sub> /Seg.(DP)		Luminous Intensity I <sub>v</sub> /Seg.(DP)	
				Typ.	Max.	Min.	Typ.
NFD-40011ASG-21	NFD-40011BSG-21	GaAlAs/GaAs SH Hi-Red	660	7.20(3.60)	8.80(4.40)	64.00(16.00)	96.00(24.00)
		GaP/GaP Green	568	8.80(4.40)	10.00(5.00)	56.00(14.00)	88.00(22.00)
NFD-40011AEG-21	NFD-40011BEG-21	GaAsP/GaP Orange	632	8.40(4.20)	10.00(5.00)	64.00(16.00)	96.00(24.00)
		GaP/GaP Green	568	8.80(4.40)	10.00(5.00)	56.00(14.00)	88.00(22.00)
NFD-40011AUEUG-21	NFD-40011BUEUG-21	AlGaInP Ultra Orange	632	8.00(4.00)	10.00(5.00)	320.00(80.00)	480.00(120.00)
		AlGaInP Ultra Green	572	8.40(4.20)	10.00(5.00)	200.00(50.00)	320.00(80.00)
Units			nm	V		mcd	

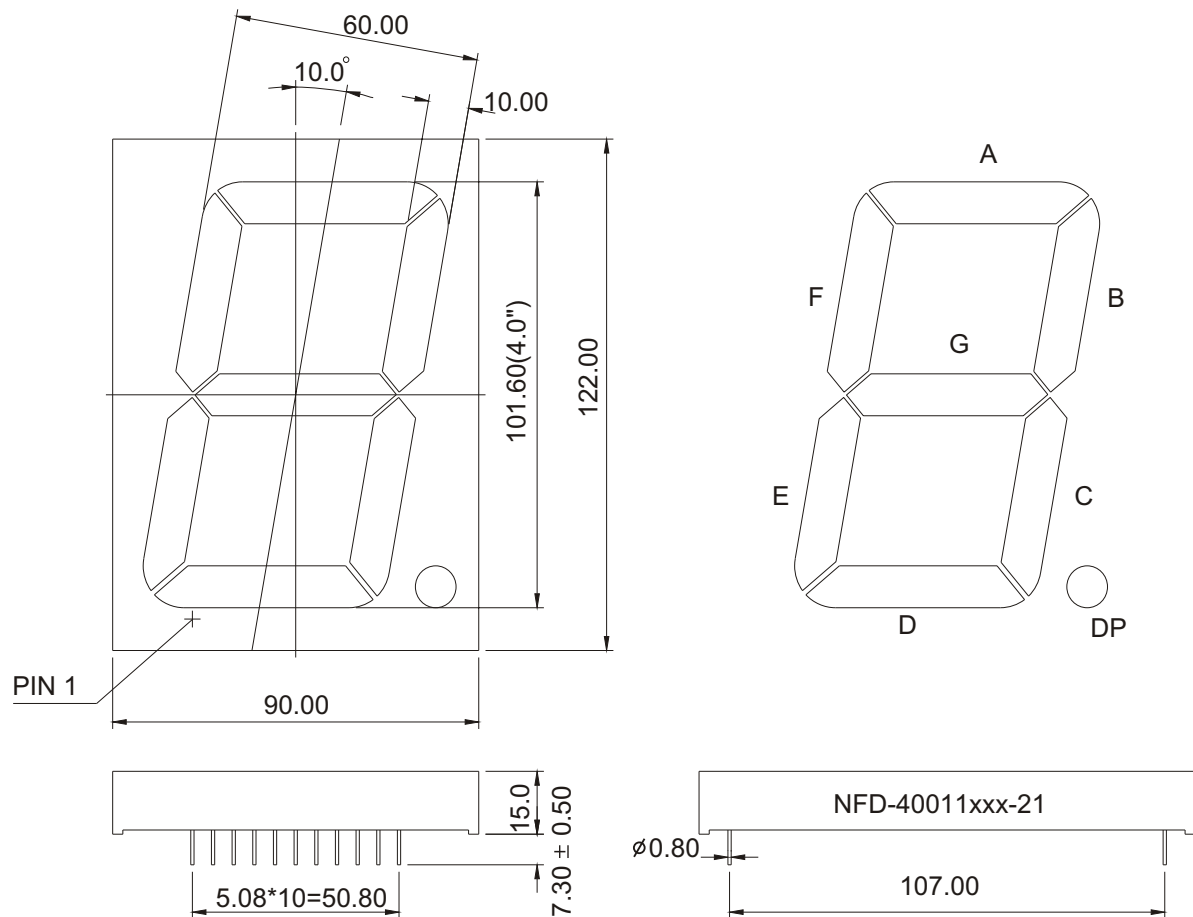
**Maximum Ratings Ta=25°C (Derate above 25°C)**

Characteristic	Test Condition	Symbol	S	G	E	UE	UG	Units
Pulse Forward Current Per Seg.	1/10 duty cycle 0.1ms Pulse width	I <sub>FP</sub>	100*2(100)	100*2(100)	100*2(100)	100*2(100)	100*2(100)	mA
DC Forward Current Per Seg.		I <sub>F</sub>	25*2(25)	30*2(30)	30*2(30)	30*2(30)	30*2(30)	mA
Reverse Current Per Seg.	V <sub>R</sub> =10V	I <sub>R</sub>	10	10	10	10	10	μA
Power Dissipation		P <sub>D</sub>	60*58	80*58	80*58	65*58	75*58	mW
Operating Temperature		T <sub>OPR</sub>	-40 to +80					°C
Storage Temperature		T <sub>TSG</sub>	-40 to +85					°C
Lead soldering temperature	1.60mm from body maximum 3 seconds		260					°C



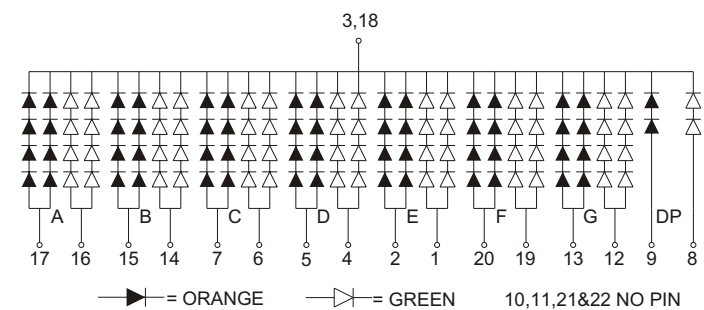
4.00"(101.60mm)Single Digit Bi-Color 7 Segment Display

PACKAGE DIMENSION

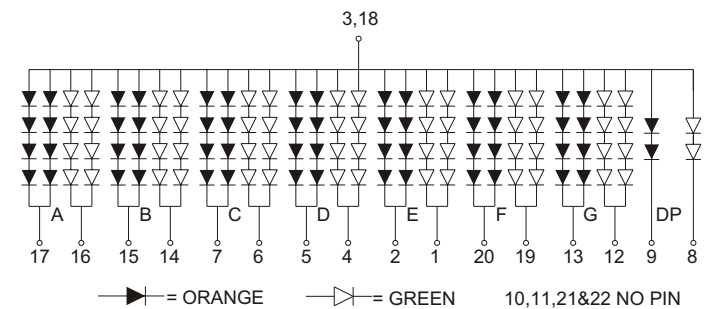


INTERNAL CIRCUIT DIAGRAM

Common Cathode  
NFD-40011Axx



Common Anode  
NFD-40011Bxx



Tolerance ±0.25mm unless stated