



4.00"(101.60mm)Single Digit 7 Segment Display

Features:

- *High segment intensity
- *Wide viewing angle
- *Range of colors
- *Gray face White segment
- *RoHS compliant

Available option:

- * Available emitting color
- * Available segment color
- * Low current version

Electro/Optical Characteristics If=20mA Ta=25°C

Part Number Common Cathode	Part Number Common Anode	Emitting Color	Peak Wavelength	Forward Voltage V _F /Seg.(DP)		Luminous Intensity I _v /Seg.(DP)	
				Typ.	Max.	Min.	Typ.
NFD-40011AS-21	NFD-40011BS-21	GaAlAs/GaAs SH Hi-Red	660	9.00(1.80)	11.00(2.20)	40.00(8.00)	60.00(12.00)
NFD-40011AD-21	NFD-40011BD-21	GaAlAs/GaAs DH Super Red	660	9.00(1.80)	11.00(2.20)	110.00(22.00)	140.00(28.00)
NFD-40011AE-21	NFD-40011BE-21	GaAsP/GaP Orange	632	10.50(2.10)	12.50(2.50)	40.00(8.00)	60.00(12.00)
NFD-40011AY-21	NFD-40011BY-21	GaAsP/GaP Yellow	585	10.50(2.10)	12.50(2.50)	20.00(4.00)	35.00(7.00)
NFD-40011AG-21	NFD-40011BG-21	GaP/GaP Green	568	11.00(2.20)	12.50(2.50)	35.00(7.00)	55.00(11.00)
Units			nm	V		mcd	

Maximum Ratings Ta=25°C (Derate above 25°C)

Characteristic	Test Condition	Symbol	S	D	E	Y	G	Units
Pulse Forward Current Per Seg.	1/10 duty cycle 0.1ms Pulse width	I _{FP}	100	100	100	100	100	mA
DC Forward Current Per Seg.		I _F	25	25	30	30	30	mA
Reverse Current Per Seg.	V _R =10V	I _R	10	10	10	10	10	μA
Power Dissipation		P _D	60*36	60*36	80*36	80*36	80*36	mW
Operating Temperature		T _{OPR}	-40 to +80					°C
Storage Temperature		T _{TSG}	-40 to +85					°C
Lead soldering temperature	1.60mm from body maximum 3 seconds		260					°C

Checked

Chen N.H.

Approved

Jason Chen

Date

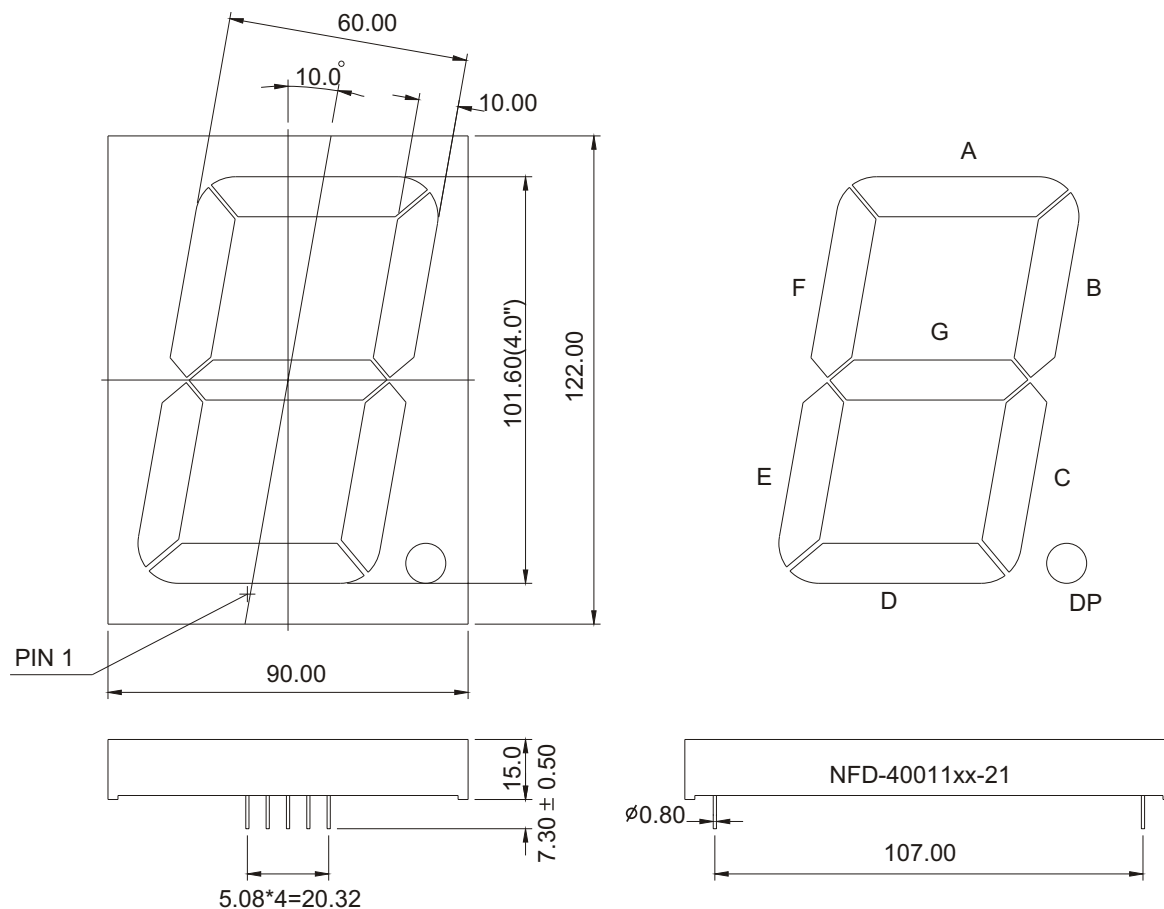
Sep/19/2006

PAGE 1 / 2



4.00"(101.60mm)Single Digit 7 Segment Display

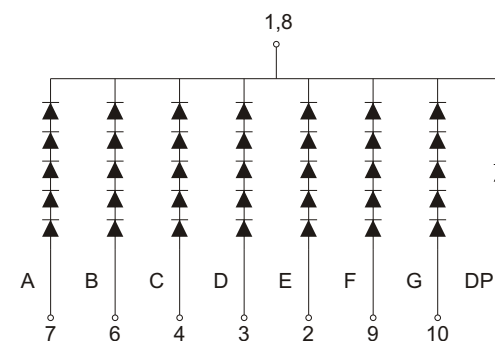
PACKAGE DIMENSION



Tolerance $\pm 0.25\text{mm}$ unless stated

INTERNAL CIRCUIT DIAGRAM

Common Cathode NFD-40011Ax



Common Anode NFD-40011Bx

