



4.00"(101.60mm)Single Digit 7 Segment Display

Features:

- *Ultra segment intensity
- *Wide viewing angle
- *Range of colors
- *Gray face White segment
- *RoHS compliant

Available option:

- *Alternative face and segment color
- *Alternative font
- *Cropped terminal pins
- *Available emitting color
- *Low current version

Electro/Optical Characteristics If=20mA Ta=25°C

Part Number Common Cathode	Part Number Common Anode	Emitting Color	Peak Wavelength	Forward Voltage V _F /Seg.(DP)		Luminous Intensity I _v /Seg.(DP)	
				Typ.	Max.	Min.	Typ.
NFD-40011AUHR-21	NFD-40011BUHR-21	AlGaInP/GaAs Ultra Red	640	10.00(2.00)	12.50(2.50)	200.00(40.00)	300.00(60.00)
NFD-40011AUE-21	NFD-40011BUE-21	AlGaInP/GaAs Ultra Orange	632	10.00(2.00)	12.50(2.50)	200.00(40.00)	300.00(60.00)
NFD-40011AYO-21	NFD-40011BYO-21	AlGaInP/GaAs Ultra Amber	605	10.00(2.00)	12.50(2.50)	200.00(40.00)	300.00(60.00)
NFD-40011AUY-21	NFD-40011BUY-21	AlGaInP/GaAs Ultra Yellow	590	10.00(2.00)	12.50(2.50)	200.00(40.00)	300.00(60.00)
NFD-40011AUG-21	NFD-40011BUG-21	AlGaInP/GaAs Ultra Green	574	10.50(2.10)	12.50(2.50)	125.00(25.00)	200.00(40.00)
NFD-40011APG-21	NFD-40011BPG-21	InGaN/SiC Pure Green	525	16.50(3.30)	19.00(3.80)	750.00(150.00)	1000.00(200.00)
NFD-40011AUB-21	NFD-40011BUB-21	InGaN/SiC Ultra Blue	470	16.50(3.30)	19.00(3.80)	200.00(40.00)	500.00(100.00)
NFD-40011AUW-21	NFD-40011BUW-21	InGaN/SiC Ultra White	X-0.31/Y-0.31	16.50(3.30)	19.00(3.80)	1000.00(200.0)	2500.00(500.0)
Units			nm	V		mcd	

Maximum Ratings Ta=25°C (Derate above 25°C)

Characteristic	Test Condition	Symbol	UHR	UE	YO	UY	UG	PG	UB	UW	Units
Pulse Forward Current Per Seg.	1/10 duty cycle 0.1ms Pulse width	I _{FP}	100	100	100	100	100	100	100	100	mA
DC Forward Current Per Seg.		I _F	30	30	30	30	30	30	30	30	mA
Reverse Current Per Seg.	V _R =5V	I _R	10	10	10	10	10	10	10	10	μA
Power Dissipation		P _D	60*36	65*36	65*36	65*36	75*36	110*36	120*36	120*36	mW
Operating Temperature		T _{OPR}	-40 to +80								°C
Storage Temperature		T _{TSG}	-40 to +85								°C
Lead soldering temperature	1.60mm from body maximum 3 seconds		260								°C

Checked

Chen N.H.

Approved

Jason Chen

Date

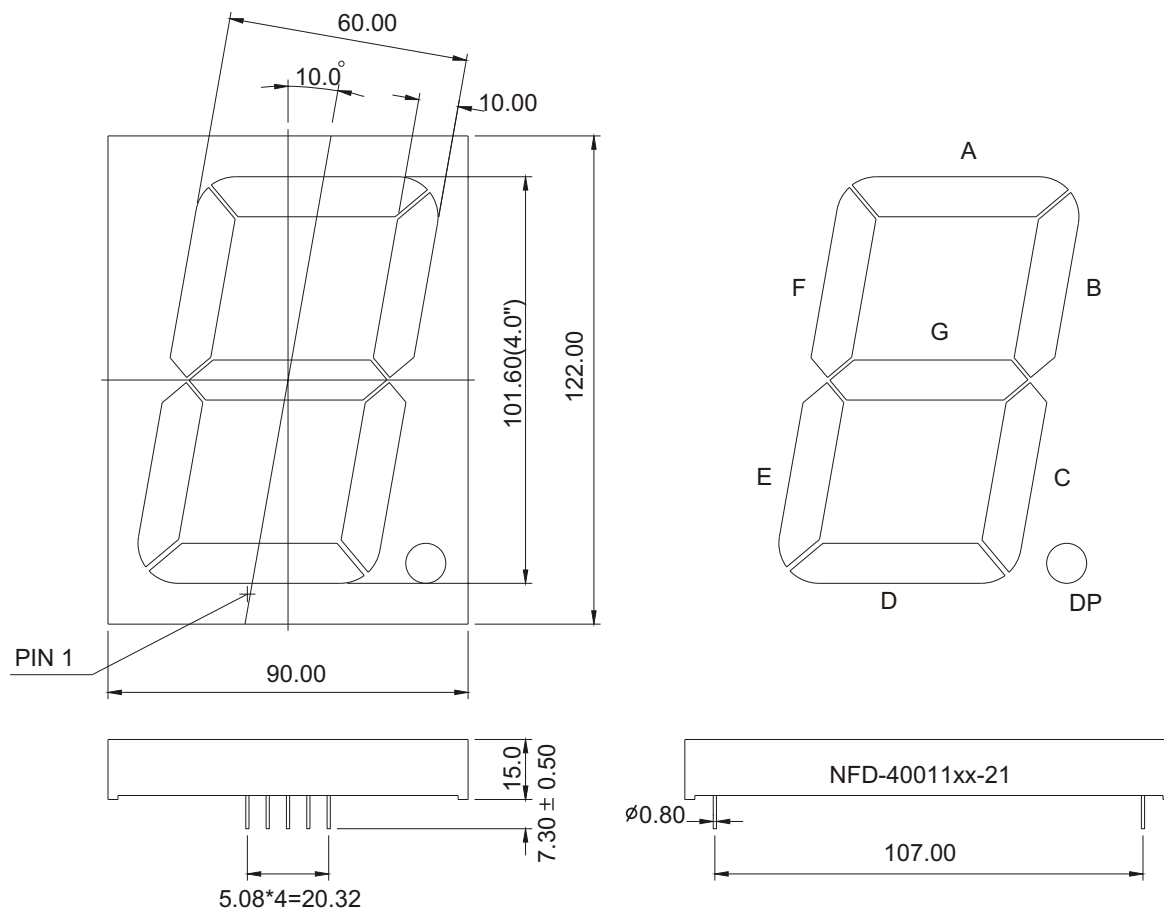
Mar/21/2007

PAGE 1 / 2



4.00"(101.60mm)Single Digit 7 Segment Display

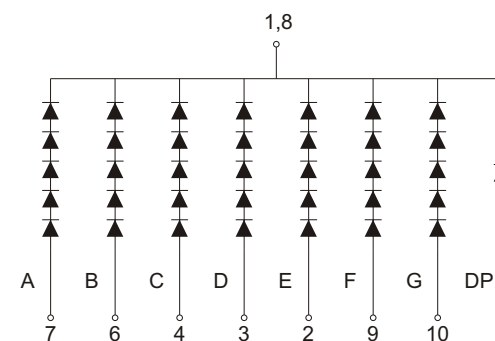
PACKAGE DIMENSION



Tolerance $\pm 0.25\text{mm}$ unless stated

INTERNAL CIRCUIT DIAGRAM

Common Cathode NFD-40011Ax



Common Anode NFD-40011Bx

