



3.00"(76.00mm)Single Digit Bi-Color 7 Segment Display

Features:

- *High segment intensity
- *Wide viewing angle
- *Range of colors
- *Black face White segment
- *RoHS compliant

Available option:

- *Alternative face and segment color
- *Alternative font
- *Cropped terminal pins
- *Available emitting color
- *Low current version

Electro/Optical Characteristics If=20mA Ta=25°C

Part Number Common Cathode	Part Number Common Anode	Emitting Color	Peak Wavelength	Forward Voltage V _F /Seg.(DP)		Luminous Intensity I _v /Seg.(DP)	
				Typ.	Max.	Min.	Typ.
NFD-30011ASG-11	NFD-30011BSG-11	GaAlAs/GaAs SH Hi-Red	660	10.80(3.60)	13.20(4.40)	48.00(16.00)	72.00(24.00)
		GaP/GaP Green	568	13.20(4.40)	15.00(5.00)	42.00(14.00)	66.00(22.00)
NFD-30011AEG-11	NFD-30011BEG-11	GaAsP/GaP Orange	632	12.60(4.20)	15.00(5.00)	48.00(16.00)	72.00(24.00)
		GaP/GaP Green	568	13.20(4.40)	15.00(5.00)	42.00(14.00)	66.00(22.00)
NFD-30011AUEUG-11	NFD-30011BUEUG-11	AlGaInP Ultra Orange	632	12.00(4.00)	15.00(5.00)	240.00(80.00)	360.00(120.00)
		AlGaInP Ultra Green	572	12.60(4.20)	15.00(5.00)	150.00(50.00)	240.00(80.00)
Units			nm	V		mcd	

Maximum Ratings Ta=25°C (Derate above 25°C)

Characteristic	Test Condition	Symbol	S	G	E	UE	UG	Units
Pulse Forward Current Per Seg.	1/10 duty cycle 0.1ms Pulse width	I _{FP}	100	100	100	100	100	mA
DC Forward Current Per Seg.		I _F	25	30	30	30	30	mA
Reverse Current Per Seg.	V _R =10V	I _R	10	10	10	10	10	μA
Power Dissipation		P _D	60*46	80*46	80*46	65*46	75*46	mW
Operating Temperature		T _{OPR}	-40 to +80					°C
Storage Temperature		T _{TSG}	-40 to +85					°C
Lead soldering temperature	1.60mm from body maximum 3 seconds		260					°C

Checked

Chen N.H.

Approved

Jason Chen

Date

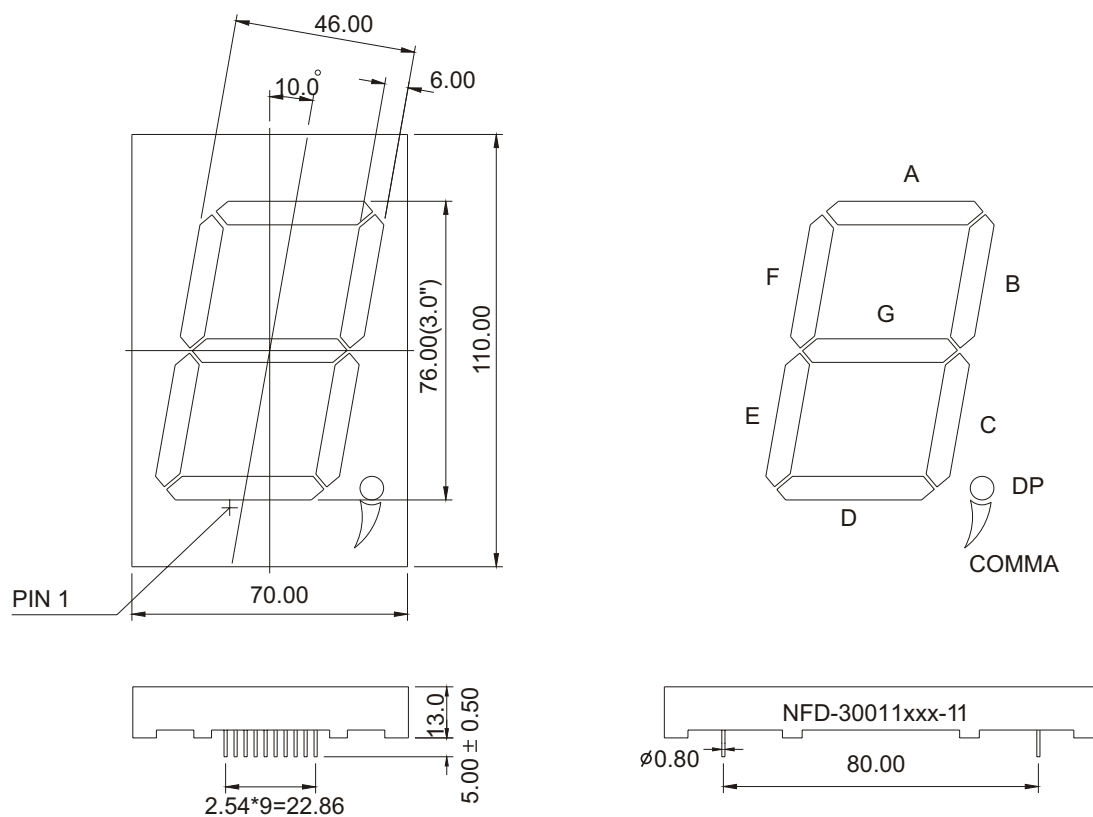
Mar/24/2007

PAGE 1 / 2



3.00"(76.00mm)Single Digit Bi-Color 7 Segment Display

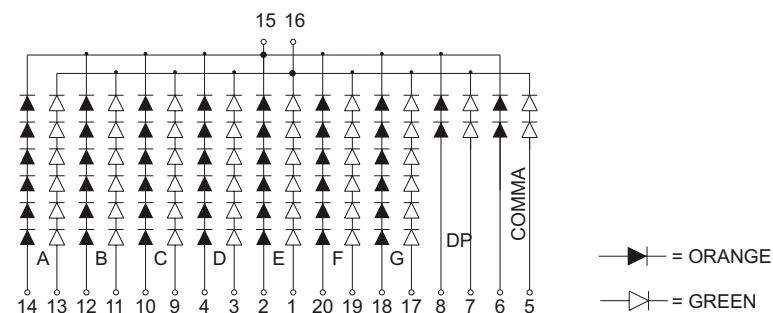
PACKAGE DIMENSION



Tolerance $\pm 0.25\text{mm}$ unless stated

INTERNAL CIRCUIT DIAGRAM

Common Cathode NFD-30011Axx



Common Anode NFD-30011Bxx

