



3.00"(76.00mm)Single Digit 7 Segment Display

Features:

- *Ultra segment intensity
- *Wide viewing angle
- *Range of colors
- *Gray face White segment
- *RoHS compliant

Available option:

- *Alternative face and segment color
- *Alternative font
- *Cropped terminal pins
- *Available emitting color
- *Low current version

Electro/Optical Characteristics If=20mA Ta=25°C

Part Number Common Cathode	Part Number Common Anode	Emitting Color	Peak Wavelength	Forward Voltage V _F /Seg.(DP)		Luminous Intensity I _v /Seg.(DP)	
				Typ.	Max.	Min.	Typ.
NFD-30011AUHR-11	NFD-30011BUHR-11	AlGaInP/GaAs Ultra Red	640	12.00 (4.00)	15.00(5.00)	240.00(80.00)	360.00(120.00)
NFD-30011AUE-21	NFD-30011BUE-21	AlGaInP/GaAs Ultra Orange	632	12.00 (4.00)	15.00(5.00)	240.00(80.00)	360.00(120.00)
NFD-30011AYO-21	NFD-30011BYO-21	AlGaInP/GaAs Ultra Amber	605	12.00 (4.00)	15.00(5.00)	240.00(80.00)	360.00(120.00)
NFD-30011AUY-21	NFD-30011BUY-21	AlGaInP/GaAs Ultra Yellow	590	12.00 (4.00)	15.00(5.00)	240.00(80.00)	360.00(120.00)
NFD-30011AUG-21	NFD-30011BUG-21	AlGaInP/GaAs Ultra Green	574	12.60 (4.20)	15.00(5.00)	150.00(50.00)	240.00(80.00)
NFD-30011APG-21	NFD-30011BPG-21	InGaN/SiC Pure Green	525	19.20 (6.60)	22.80(7.60)	900.00(300.00)	1200.00(400.00)
NFD-30011AUB-21	NFD-30011BUB-21	InGaN/SiC Ultra Blue	470	19.20 (6.60)	22.80(7.60)	240.00(80.00)	600.00(200.00)
NFD-30011AUW-21	NFD-30011BUW-21	InGaN/SiC Ultra White	X-0.31/Y-0.31	19.20 (6.60)	22.80(7.60)	1200.0(400.0)	3000.0(1000.0)
Units			nm	V		mcd	

Maximum Ratings Ta=25°C (Derate above 25°C)

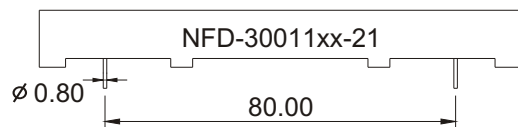
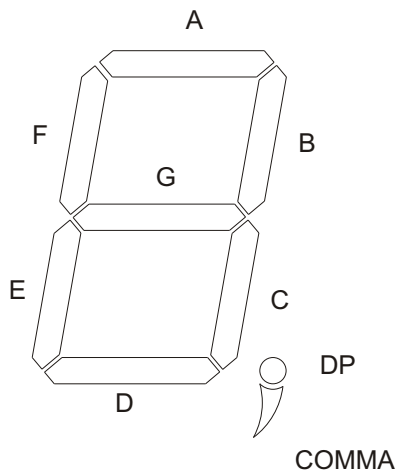
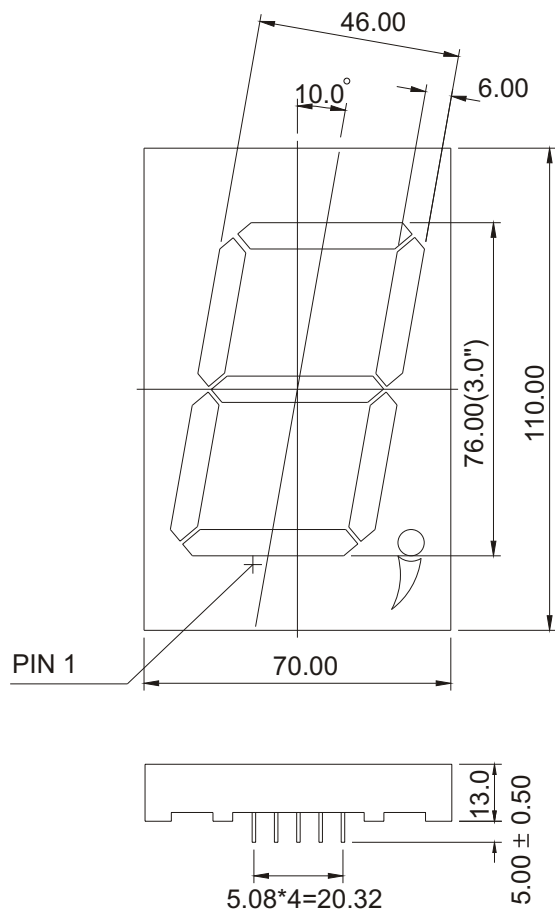
Characteristic	Test Condition	Symbol	UHR	UE	YO	UY	UG	PG	UB	UW	Units
Pulse Forward Current Per Seg.	1/10 duty cycle 0.1ms Pulse width	I _{FP}	100	100	100	100	100	100	100	100	mA
DC Forward Current Per Seg.		I _F	30	30	30	30	30	30	30	30	mA
Reverse Current Per Seg.	V _R =10V	I _R	10	10	10	10	10	10	10	10	μ A
Power Dissipation		P _D	65*46	65*46	65*46	65*46	75*46	110*46	120*46	120*46	mW
Operating Temperature		T _{OPR}	-40 to +80								°C
Storage Temperature		T _{TSG}	-40 to +85								°C
Lead soldering temperature	1.60mm from body maximum 3 seconds		260								°C

Checked	Chen N.H.	Approved	Jason Chen	Date	Mar/15/2007	PAGE 1 / 2
---------	-----------	----------	------------	------	-------------	------------



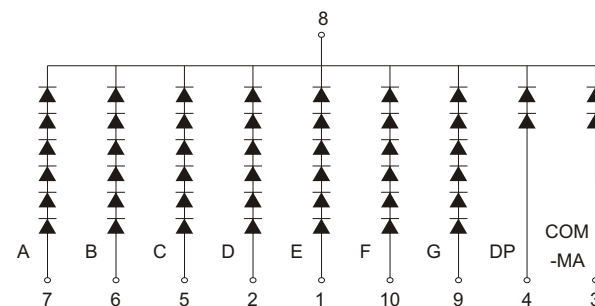
3.00"(76.00mm)Single Digit 7 Segment Display

PACKAGE DIMENSION

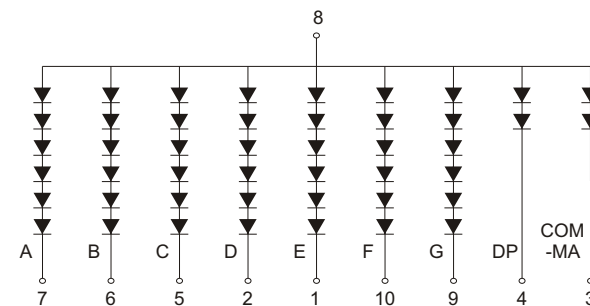


INTERNAL CIRCUIT DIAGRAM

Common Cathode
NFD-30011Ax



Common Anode
NFD-30011Bx



Tolerance ±0.25mm unless stated