



2.30"(56.80mm)Single Digit Bi-Color 7 Segment Display

Features:

- *High segment intensity
- *Wide viewing angle
- *Range of colors
- *Black face White segment
- *RoHS compliant

Available option:

- *Alternative face and segment color
- *Alternative font
- *Cropped terminal pins
- *Available emitting color
- *Low current version

Electro/Optical Characteristics If=20mA Ta=25°C

Part Number Common Cathode	Part Number Common Anode	Emitting Colors	Peak Wavelength	Forward Voltage V _F /Seg.(DP)		Luminous Intensity I _v /Seg.(DP)	
				Typ.	Max.	Min.	Typ.
NFD-23011ASG-11-L11.5	NFD-23011BSG-11-L11.5	GaAlAs/GaAs SH Hi-Red	660	7.20(3.60)	8.80(4.40)	32.00(16.00)	48.00(24.00)
		GaP/GaP Green	568	8.80(4.40)	10.00(5.00)	28.00(14.00)	44.00(22.00)
NFD-23011AEG-11-L11.5	NFD-23011BEG-11-L11.5	GaAsP/GaP Orange	632	8.40(4.20)	10.00(5.00)	32.00(16.00)	48.00(24.00)
		GaP/GaP Green	568	8.80(4.40)	10.00(5.00)	28.00(14.00)	44.00(22.00)
NFD-23011AUEUG-11-L9.5	NFD-23011BUEUG-11-L9.5	AlGaInP/GaAs Ultra Orange	632	8.00(4.00)	10.00(5.00)	160.00(80.00)	240.00(120.00)
		AlGaInP/GaAs Ultra Green	574	8.40(4.40)	10.00(5.00)	100.00(50.00)	160.00(80.00)
Units			nm	V		mcd	

Maximum Ratings Ta=25°C (Derate above 25°C)

Characteristic	Test Condition	Symbol	S	G	E	UE	UG	Units
Pulse Forward Current Per Seg.	1/10 duty cycle 0.1ms Pulse width	I _{FP}	100	100	100	100	100	mA
DC Forward Current Per Seg.		I _F	25	30	30	30	30	mA
Reverse Current Per Seg.	V _R =10V	I _R	10	10	10	10	10	μA
Power Dissipation		P _D	60*30	80*30	80*30	65*30	75*30	mW
Operating Temperature		T _{OPR}	-40 to +80					°C
Storage Temperature		T _{TSG}	-40 to +85					°C
Lead soldering temperature	1.60mm from body maximum 3 seconds		260					°C

Checked

Chen N.H.

Approved

Jason Chen

Date

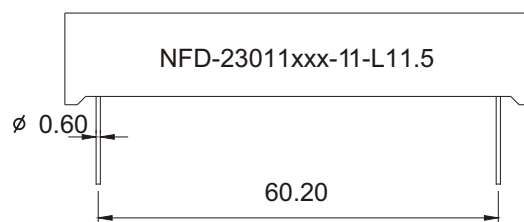
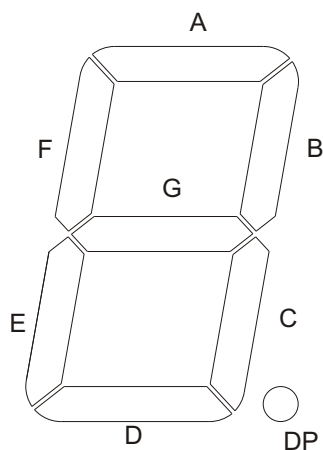
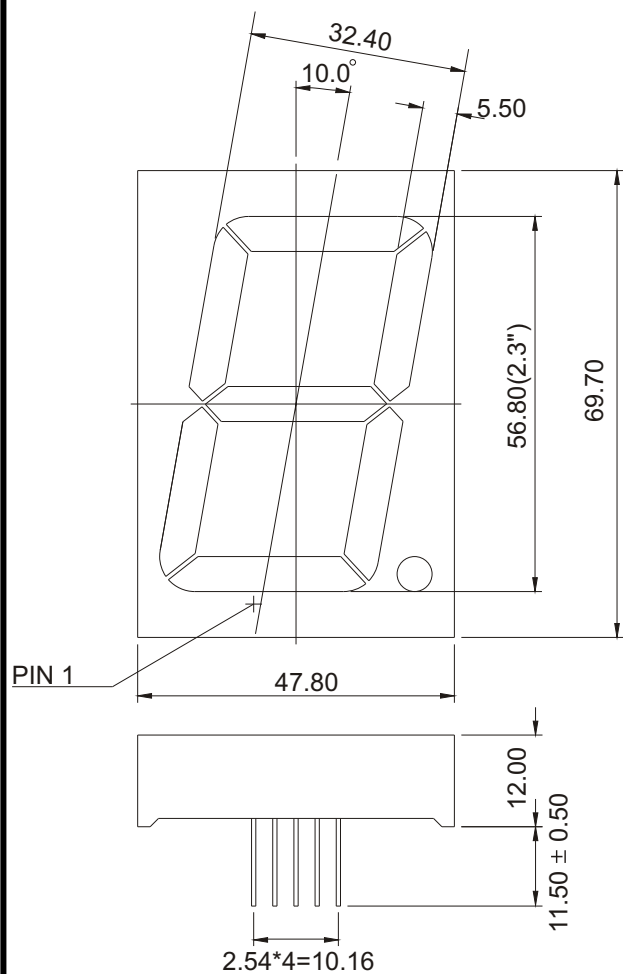
Dec/17/2006

PAGE 1 / 2



2.30"(56.80mm) Single Digit Bi-Color 7 Segment Display

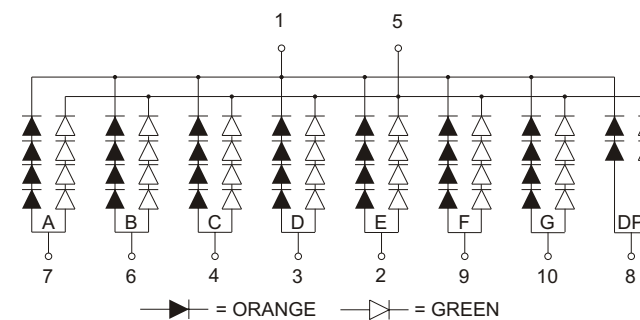
PACKAGE DIMENSION



Tolerance $\pm 0.25\text{mm}$ unless stated

INTERNAL CIRCUIT DIAGRAM

Common Cathode NFD-23011AEG



Common Anode NFD-23011BEG

