



2.30"(56.840mm)Single Digit 7 Segment Display

Features:

- *High segment intensity
- *Wide viewing angle
- *Range of colors
- *Gray face White segment
- *RoHS compliant

Available option:

- *Alternative face and segment color
- *Alternative font
- *Cropped terminal pins
- *Available emitting color
- *Low current version

Electro/Optical Characteristics If=20mA Ta=25°C

Part Number Common Cathode	Part Number Common Anode	Emitting Color	Peak Wavelength	Forward Voltage V _F /Seg.(DP)		Luminous Intensity I _v /Seg.(DP)	
				Typ.	Max.	Min.	Typ.
NFD-23011AH-21	NFD-23011BH-21	GaP/GaP Red	700	9.00 (4.50)	10.00 (5.00)	1.60 (0.80)	3.20 (1.60)
NFD-23011AS-21	NFD-23011BS-21	GaAlAs/GaAs SH Hi-Red	660	7.20 (3.60)	8.80 (4.40)	32.00 (16.00)	48.00 (24.00)
NFD-23011AD-21	NFD-23011BD-21	GaAlAs/GaAs DH Super Red	660	7.20 (3.60)	8.80 (4.40)	88.00 (44.00)	112.00 (56.00)
NFD-23011AE-21	NFD-23011BE-21	GaAsP/GaP Orange	632	8.40 (4.20)	10.00 (5.00)	32.00 (16.00)	48.00 (24.00)
NFD-23011AY-21	NFD-23011BY-21	GaAsP/GaP Yellow	585	8.40 (4.20)	10.00 (5.00)	16.00 (8.00)	28.00 (14.00)
NFD-23011AG-21	NFD-23011BG-21	GaP/GaP Green	568	8.80 (4.40)	10.00 (5.00)	28.00 (14.00)	44.00 (22.00)
Units			nm	V		mcd	

Maximum Ratings Ta=25°C (Derate above 25°C)

Characteristic	Test Condition	Symbol	H	S	D	E	Y	G	Units
Pulse Forward Current Per Seg.	1/10 duty cycle 0.1ms Pulse width	I _{FP}	50	100	100	100	100	100	mA
DC Forward Current Per Seg.		I _F	15	25	25	30	30	30	mA
Reverse Current Per Seg.	V _R =10V	I _R	10	10	10	10	10	10	μA
Power Dissipation		P _D	40*30	60*30	60*30	80*30	80*30	80*30	mW
Operating Temperature		T _{OPR}	-40 to +80						°C
Storage Temperature		T _{TSG}	-40 to +85						°C
Lead soldering temperature	1.60mm from body maximum 3 seconds		260						°C

Checked

Chen N.H.

Approved

Jason Chen

Date

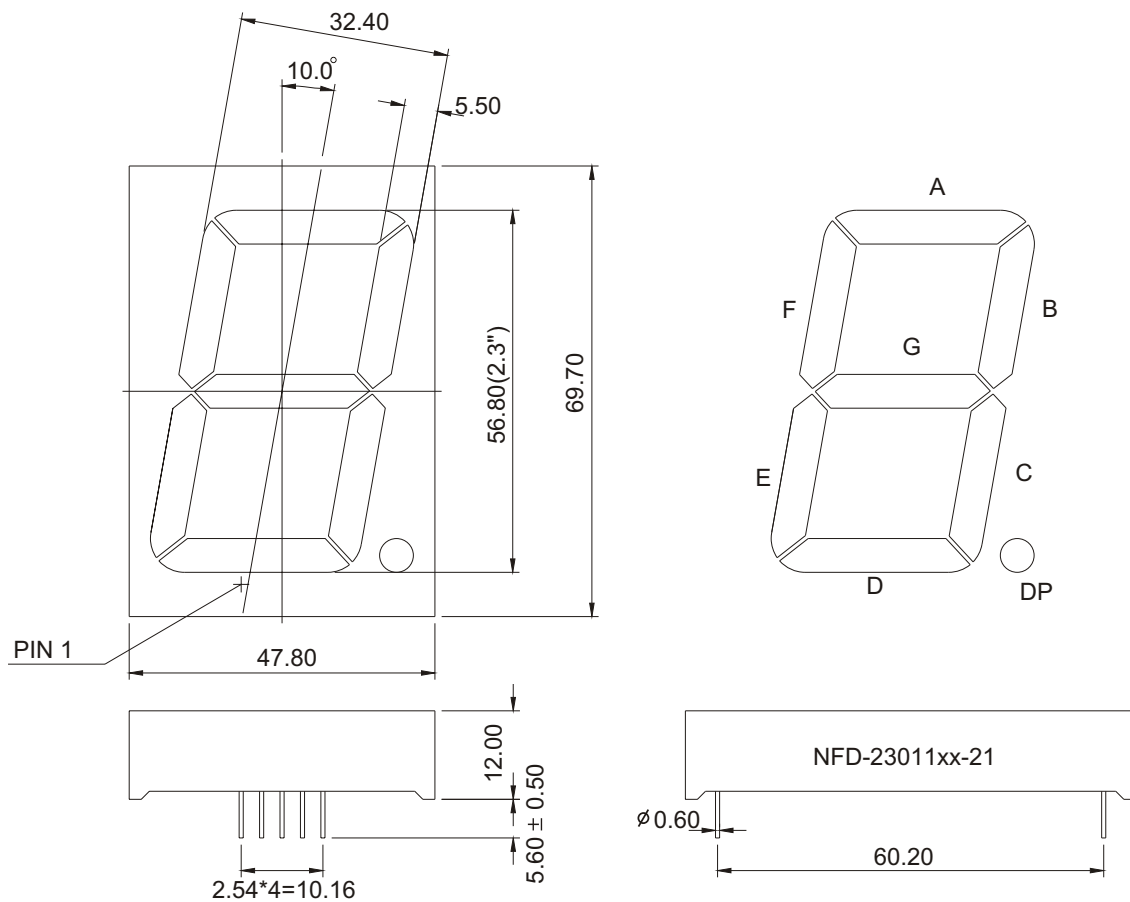
Mar/15/2007

PAGE 1 / 2



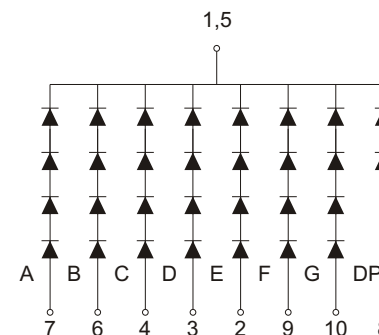
2.30"(56.80mm)Single Digit 7 Segment Display

PACKAGE DIMENSION

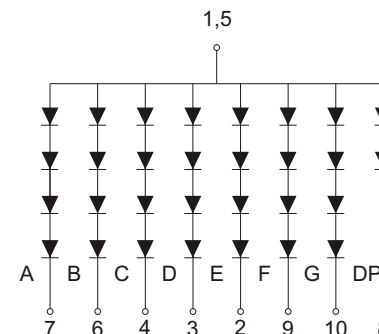


INTERNAL CIRCUIT DIAGRAM

Common Cathode NFD-23011Ax



Common Anode NFD-23011Bx



Tolerance $\pm 0.25\text{mm}$ unless stated

Checked

Chen N.H.

Approved

Jason Chen

Date

Mar/15/2007

PAGE 2 / 2