



## 2.30"(56.80mm)Single Digit 7 Segment Display

### Features:

- \*Ultra segment intensity
- \*Wide viewing angle
- \*Range of colors
- \*Black face White segment
- \*RoHS compliant

### Available option:

- \*Alternative face and segment color
- \*Alternative font
- \*Cropped terminal pins
- \*Available emitting color
- \*Low current version

### Electro/Optical Characteristics If=20mA Ta=25°C

Part Number Common Cathode	Part Number Common Anode	Emitting Color	Peak Wavelength	Forward Voltage Vf/Seg.(DP)		Luminous Intensity Iv/Seg.(DP)	
				Typ.	Max.	Min.	Typ.
NFD-23011AUHR-11	NFD-23011BUHR-11	AlGaInP/GaAs Ultra Red	660	8.00 (4.00)	10.00(5.00)	160.00(80.00)	240.00(120.00)
NFD-23011AUE-11	NFD-23011BUE-11	AlGaInP/GaAs Ultra Orange	632	8.00 (4.00)	10.00(5.00)	160.00(80.00)	240.00(120.00)
NFD-23011AYO-11	NFD-23011BYO-11	AlGaInP/GaAs Ultra Amber	605	8.00 (4.00)	10.00(5.00)	160.00(80.00)	240.00(120.00)
NFD-23011AUY-11	NFD-23011BUY-11	AlGaInP/GaAs Ultra Yellow	590	8.00 (4.00)	10.00(5.00)	160.00(80.00)	240.00(120.00)
NFD-23011AUG-11	NFD-23011BUG-11	AlGaInP/GaAs Ultra Green	574	8.40 (4.20)	10.00(5.00)	100.00(50.00)	160.00(80.00)
NFD-23011APG-11	NFD-23011BPG-11	InGaN/SiC Pure Green	525	13.20 (6.60)	15.20(7.60)	600.00(300.00)	800.00(400.00)
NFD-23011AUB-11	NFD-23011BUB-11	InGaN/SiC Ultra Blue	470	13.20 (6.60)	15.20(7.60)	160.00(80.00)	400.00(200.00)
NFD-23011AUW-11	NFD-23011BUW-11	InGaN/SiC Ultra White	X-0.31/Y-0.31	13.20 (6.60)	15.20(7.60)	800.00(400.00)	2000.0(1000.0)
Units			nm	V		mcd	

### Maximum Ratings Ta=25°C (Derate above 25°C)

Characteristic	Test Condition	Symbol	UHR	UE	YO	UY	UG	PG	UB	UW	Units
Pulse Forward Current Per Seg.	1/10 duty cycle 0.1ms Pulse width	I <sub>FP</sub>	100	100	100	100	100	100	100	100	mA
DC Forward Current Per Seg.		I <sub>F</sub>	30	30	30	30	30	30	30	30	mA
Reverse Current Per Seg.	V <sub>R</sub> =10V	I <sub>R</sub>	10	10	10	10	10	10	10	10	μA
Power Dissipation		P <sub>D</sub>	65*30	65*30	65*30	65*30	75*30	110*30	120*30	120*30	mW
Operating Temperature		T <sub>OPR</sub>	-40 to +80								°C
Storage Temperature		T <sub>TSG</sub>	-40 to +85								°C
Lead soldering temperature	1.60mm from body maximum 3 seconds		260								°C

Checked

Chen N.H.

Approved

Jason Chen

Date

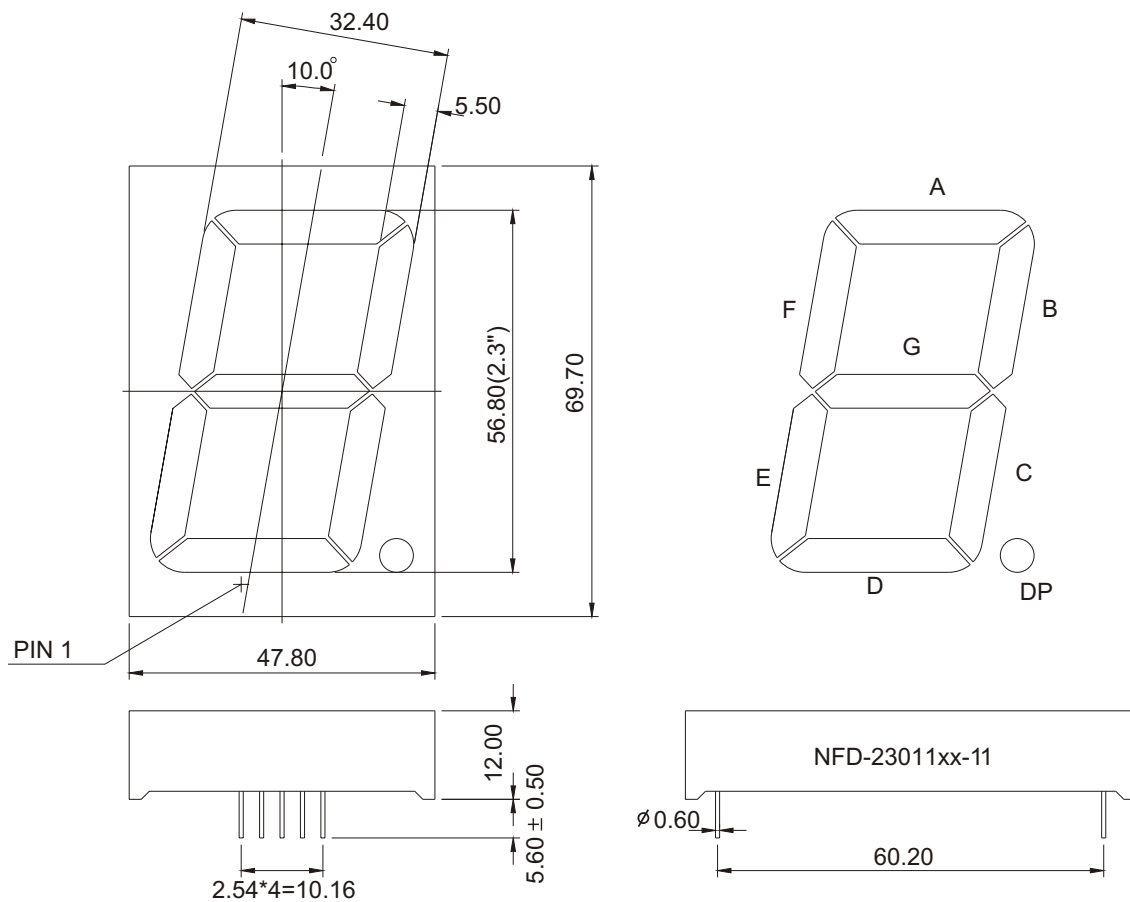
Mar/15/2007

PAGE 1 / 2



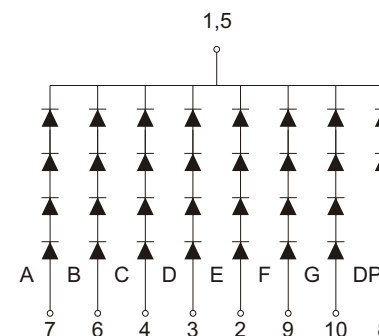
## 2.30"(56.80mm)Single Digit 7 Segment Display

### PACKAGE DIMENSION

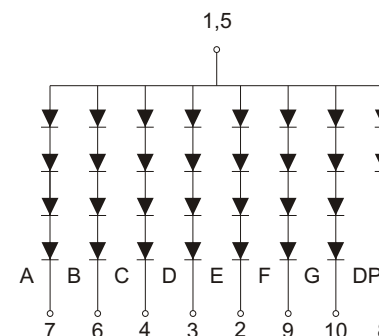


### INTERNAL CIRCUIT DIAGRAM

#### Common Cathode NFD-23011Ax



#### Common Anode NFD-23011Bx



Tolerance  $\pm 0.25\text{mm}$  unless stated

Checked

Chen N.H.

Approved

Jason Chen

Date

Mar/15/2007

PAGE 2 / 2