



1.80"(45.00mm)Single Digit Bi-Color 7 Segment Display

**Features:**

- \*High segment intensity
- \*Wide viewing angle
- \*Range of colors
- \*Black face White segment
- \*RoHS compliant

**Available option:**

- \*Alternative face color
- \*Alternative font
- \*Cropped terminal pins
- \*Available emitting color
- \*Low current version

**Electro/Optical Characteristics If=20mA Ta=25°C**

Part Number Common Cathode	Part Number Common Anode	Emitting Colors	Peak Wavelength	Forward Voltage V <sub>F</sub> /Seg.(DP)		Luminous Intensity I <sub>v</sub> /Seg.(DP)	
				Typ.	Max.	Min.	Typ.
NFD-18011ASG-11	NFD-18011BSG-11	GaAlAs/GaAs SH Hi-Red	660	5.40(1.80)	6.60(2.20)	24.00(8.00)	36.00(12.00)
		GaP/GaP Green	568	6.60(2.20)	7.50(2.50)	21.00(7.00)	33.00(11.00)
NFD-18011AEG-11	NFD-18011BEG-11	GaAsP/GaP Orange	632	6.30(2.10)	7.50(2.50)	24.00(8.00)	36.00(12.00)
		GaP/GaP Green	568	6.60(2.20)	7.50(2.50)	21.00(7.00)	33.00(11.00)
Units			nm	V		mcd	

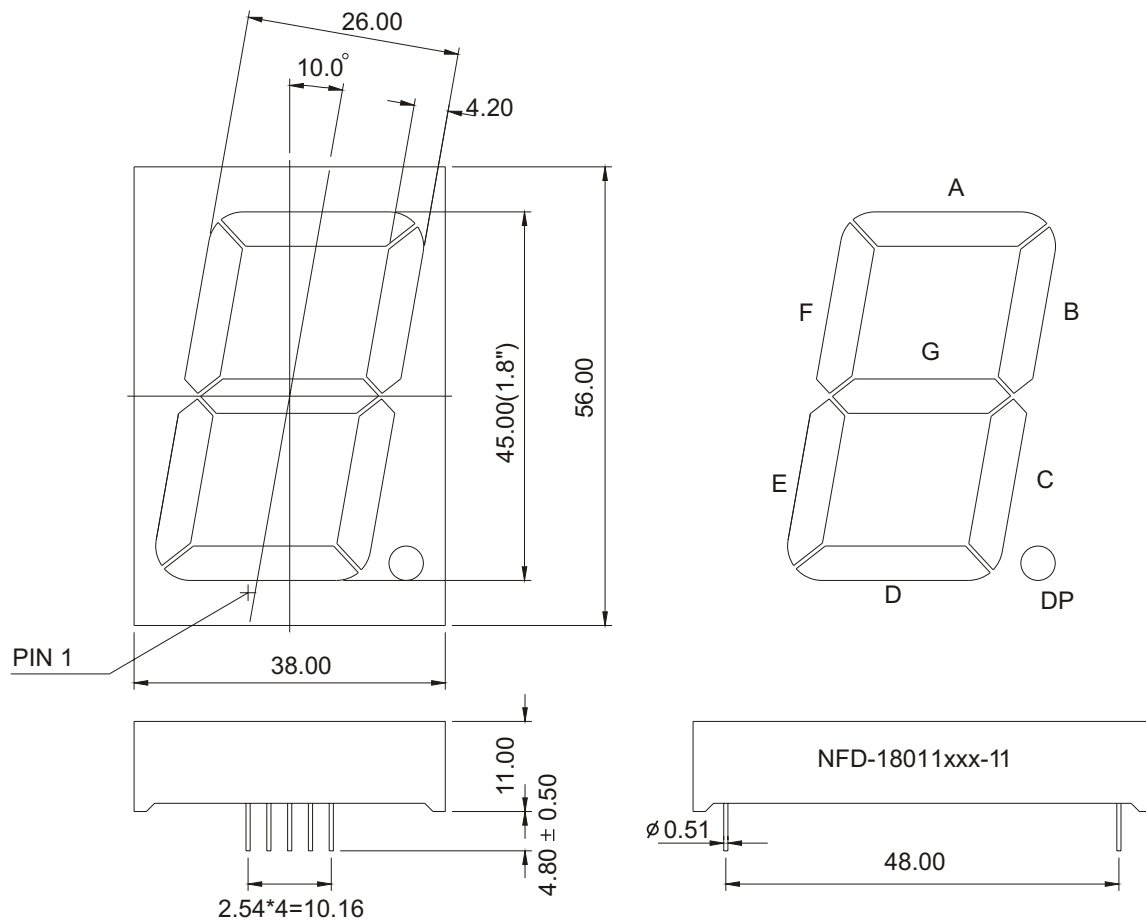
**Maximum Ratings Ta=25°C (Derate above 25°C)**

Characteristic	Test Condition	Symbol	S	G	E			Units	
Pulse Forward Current Per Seg.	1/10 duty cycle 0.1ms Pulse width	I <sub>FP</sub>	100	100	100			mA	
DC Forward Current Per Seg.		I <sub>F</sub>	25	30	30			mA	
Reverse Current Per Seg.	V <sub>R</sub> =10V	I <sub>R</sub>	10	10	10			μA	
Power Dissipation		P <sub>D</sub>	60*22	80*22	80*22			mW	
Operating Temperature		T <sub>OPR</sub>	-40 to +80						°C
Storage Temperature		T <sub>TSG</sub>	-40 to +85						°C
Lead soldering temperature	1.60mm from body maximum 3 seconds		260						°C



1.80"(45.00mm)Single Digit Bi-Color 7 Segment Display

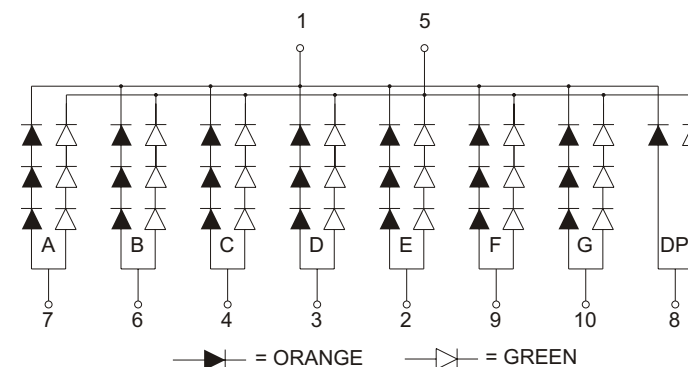
PACKAGE DIMENSION



Tolerance  $\pm 0.25\text{mm}$  unless stated

INTERNAL CIRCUIT DIAGRAM

Common Cathode  
NFD-18011AEG



Common Anode  
NFD-18011BEG

