



1.80"(45.00mm)Single Digit 7 Segment Display

Features:

- *Ultra segment intensity
- *Wide viewing angle
- *Range of colors
- *Black face White segment
- *RoHS compliant

Available option:

- *Alternative face and segment color
- *Alternative font
- *Cropped terminal pins
- *Available emitting color
- *Low current version

Electro/Optical Characteristics If=20mA Ta=25°C

Part Number Common Cathode	Part Number Common Anode	Emitting Color	Peak Wavelength	Forward Voltage V _F /Seg.(DP)		Luminous Intensity I _v /Seg.(DP)	
				Typ.	Max.	Min.	Typ.
NFD-18011AUHR-11	NFD-18011BUHR-11	AlGaInP/GaAs Ultra Red	640	6.00(2.00)	7.50(2.50)	120.00 (40.00)	180.00(60.00)
NFD-18011AUE-11	NFD-18011BUE-11	AlGaInP/GaAs Ultra Orange	632	6.00(2.00)	7.50(2.50)	120.00 (40.00)	180.00(60.00)
NFD-18011AYO-11	NFD-18011BYO-11	AlGaInP/GaAs Ultra Amber	605	6.00(2.00)	7.50(2.50)	120.00 (40.00)	180.00(60.00)
NFD-18011AUY-11	NFD-18011BUY-11	AlGaInP/GaAs Ultra Yellow	590	6.00(2.00)	7.50(2.50)	120.00 (40.00)	180.00(60.00)
NFD-18011AUG-11	NFD-18011BUG-11	AlGaInP/GaAs Ultra Green	574	6.30(2.10)	7.50(2.50)	150.00 (25.00)	120.00 (40.00)
NFD-18011APG-11	NFD-18011BPG-11	InGaN/SiC Pure Green	525	9.90(3.30)	11.60(3.80)	450.00(150.00)	600.00(200.00)
NFD-18011AUB-11	NFD-18011BUB-11	InGaN/SiC Ultra Blue	470	9.90(3.30)	11.60(3.80)	120.00 (40.00)	300.00(100.00)
NFD-18011AUW-11	NFD-18011BUW-11	InGaN/SiC Ultra White	X-0.31/Y-0.31	9.90(3.30)	11.60(3.80)	600.00 (200.00)	1500.00(500.00)
Units			nm	V		mcd	

Maximum Ratings Ta=25°C (Derate above 25°C)

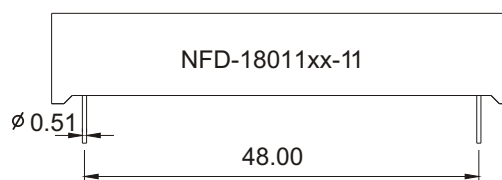
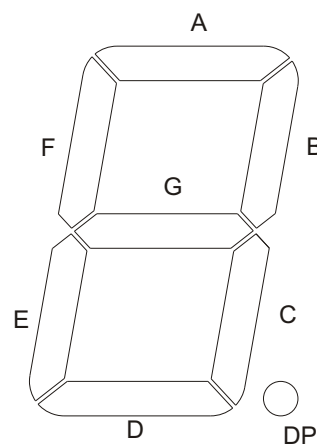
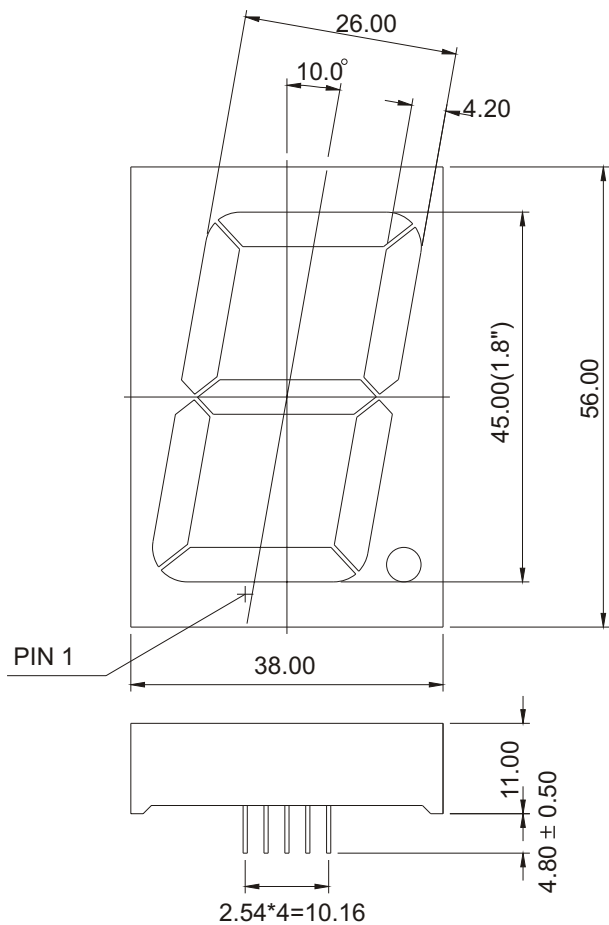
Characteristic	Test Condition	Symbol	UHR	UE	YO	UY	UG	PG	UB	UW	Units
Pulse Forward Current Per Seg.	1/10 duty cycle 0.1ms Pulse width	I _{FP}	100	100	100	100	100	100	100	100	mA
DC Forward Current Per Seg.		I _F	30	30	30	30	30	30	30	30	mA
Reverse Current Per Seg.	V _R =10V	I _R	10	10	10	10	10	10	10	10	μA
Power Dissipation		P _D	60*22	65*22	65*22	65*22	75*22	110*22	120*22	120*22	mW
Operating Temperature		T _{OPR}	-40 to +80								°C
Storage Temperature		T _{TSG}	-40 to +85								°C
Lead soldering temperature	1.60mm from body maximum 3 seconds		260								°C

Checked	Chen N.H.	Approved	Jason Chen	Date	Dec/17/2006	PAGE 1 / 2
---------	-----------	----------	------------	------	-------------	------------



1.80"(45.00mm)Single Digit 7 Segment Display

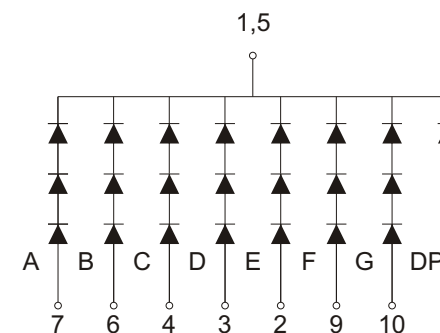
PACKAGE DIMENSION



Tolerance $\pm 0.25\text{mm}$ unless stated

INTERNAL CIRCUIT DIAGRAM

Common Cathode NFD-18011Ax



Common Anode NFD-18011Bx

