



1.50"(38.10mm)Single Digit Bi-Color 7 Segment Display

**Features:**

- \*High segment intensity
- \*Wide viewing angle
- \*Range of colors
- \*Black face White segment
- \*RoHS compliant

**Available option:**

- \*Alternative face and segment color
- \*Alternative font
- \*Cropped terminal pins
- \*Available emitting color
- \*Low current version

**Electro/Optical Characteristics If=20mA Ta=25°C**

Part Number Common Cathode	Part Number Common Anode	Emitting Colors	Peak Wavelength	Forward Voltage V <sub>F</sub> /Seg.(DP)		Luminous Intensity I <sub>v</sub> /Seg.(DP)	
				Typ.	Max.	Min.	Typ.
NFD-15011CSG-11	NFD-15011DSG-11	GaAlAs/GaAs SH Hi-Red	660	3.60(1.80)	4.40(2.20)	16.00(8.00)	24.00(12.00)
		GaP/GaP Green	568	4.40(2.20)	5.00(2.50)	14.00(7.00)	22.00(11.00)
NFD-15011CEG-11	NFD-15011DEG-11	GaAsP/GaP Orange	632	4.20(2.10)	5.00(2.50)	16.00(8.00)	24.00(12.00)
		GaP/GaP Green	568	4.40(2.20)	5.00(2.50)	14.00(7.00)	22.00(11.00)
Units			nm	V		mcd	

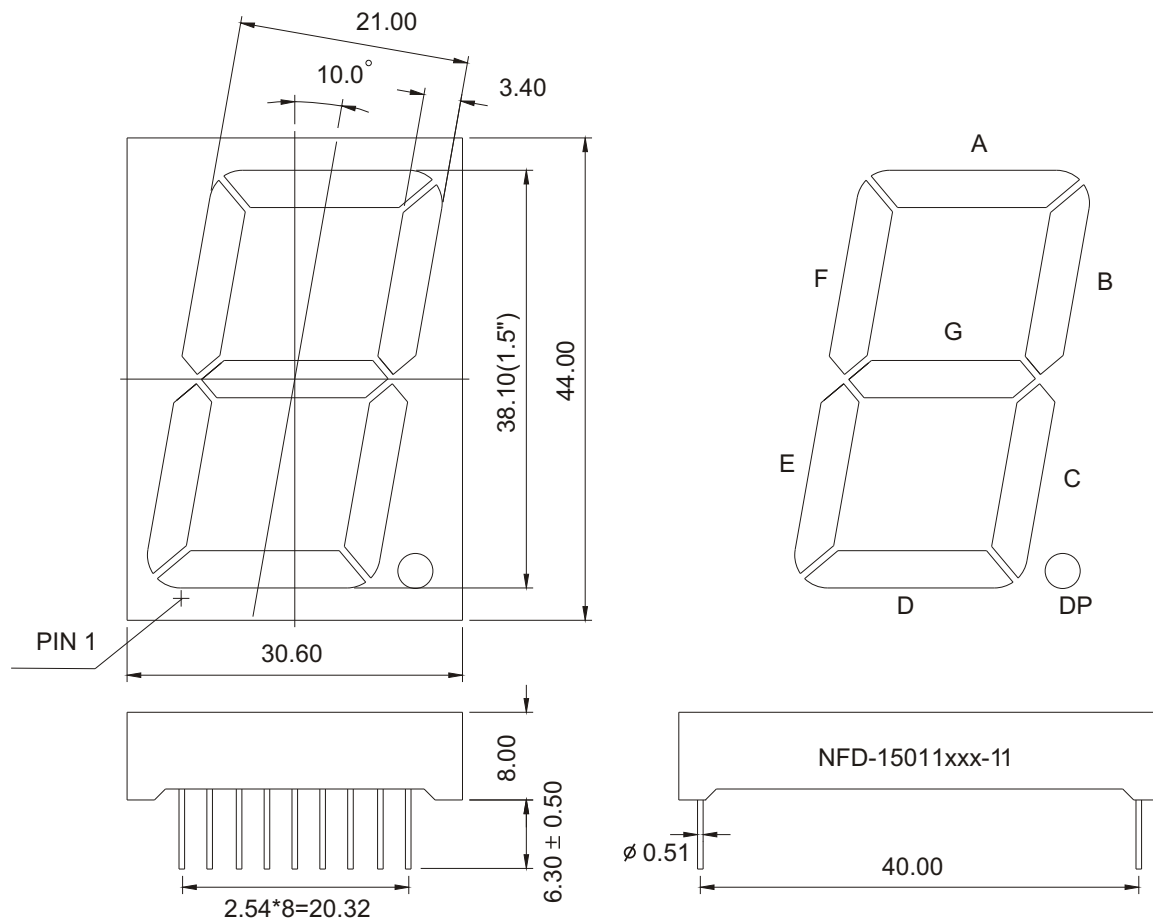
**Maximum Ratings Ta=25°C (Derate above 25°C)**

Characteristic	Test Condition	Symbol	S	G	E			Units	
Pulse Forward Current Per Seg.	1/10 duty cycle 0.1ms Pulse width	I <sub>FP</sub>	100	100	100			mA	
DC Forward Current Per Seg.		I <sub>F</sub>	25	30	30			mA	
Reverse Current Per Seg.	V <sub>R</sub> =10V	I <sub>R</sub>	10	10	10			μA	
Power Dissipation		P <sub>D</sub>	60*15	80*15	80*15			mW	
Operating Temperature		T <sub>OPR</sub>	-40 to +80						°C
Storage Temperature		T <sub>TSG</sub>	-40 to +85						°C
Lead soldering temperature	1.60mm from body maximum 3 seconds		260						°C



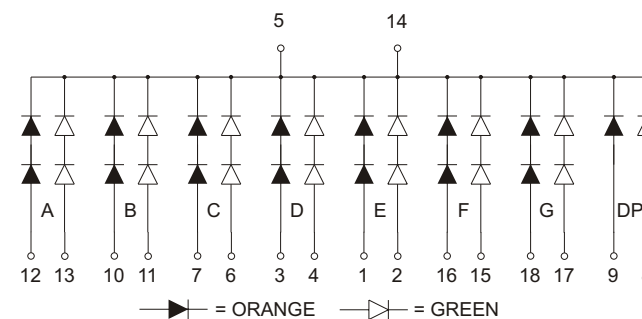
# 1.50"(38.10mm)Single Digit Bi-Color 7 Segment Display

## PACKAGE DIMENSION

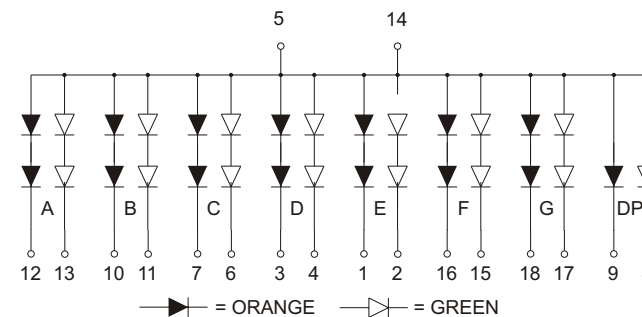


## INTERNAL CIRCUIT DIAGRAM

### Common Cathode NFD-15011CEG



### Common Anode NFD-15011DEG



Tolerance  $\pm 0.25\text{mm}$  unless stated