



## 1.50"(38.10mm)Single Digit Bi-Color 7 Segment Display

### Features:

- \*High segment intensity
- \*Wide viewing angle
- \*Range of colors
- \*Gray face White segment
- \*RoHS compliant

### Available option:

- \*Alternative face and segment color
- \*Alternative font
- \*Cropped terminal pins
- \*Available emitting color
- \*Low current version

### Electro/Optical Characteristics If=20mA Ta=25°C

Part Number Common Cathode	Part Number Common Anode	Emitting Colors	Peak Wavelength	Forward Voltage V <sub>F</sub> /Seg.(DP)		Luminous Intensity I <sub>v</sub> /Seg.(DP)	
				Typ.	Max.	Min.	Typ.
NFD-15011ASG-21	NFD-15011BSG-21	GaAlAs/GaAs SH Hi-Red	660	3.60(1.80)	4.40(2.20)	16.00(8.00)	24.00(12.00)
		GaP/GaP Green	568	4.40(2.20)	5.00(2.50)	14.00(7.00)	22.00(11.00)
NFD-15011AEG-21	NFD-15011BEG-21	GaAsP/GaP Orange	632	4.20(2.10)	5.00(2.50)	16.00(8.00)	24.00(12.00)
		GaP/GaP Green	568	4.40(2.20)	5.00(2.50)	14.00(7.00)	22.00(11.00)
NFD-15011AUEUG-21	NFD-15011BUEUG-21	AlGaInP/GaAs Ultra Orange	632	4.00(2.00)	5.00(2.50)	80.00(40.00)	120.00(60.00)
		AlGaInP/GaAs Ultra Green	574	4.20(2.10)	5.00(2.50)	50.00(25.00)	80.00(40.00)
Units			nm	V		mcd	

### Maximum Ratings Ta=25°C (Derate above 25°C)

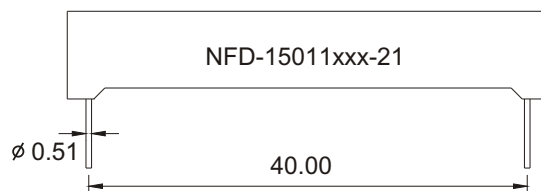
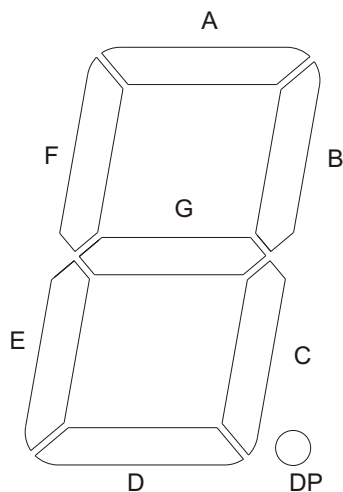
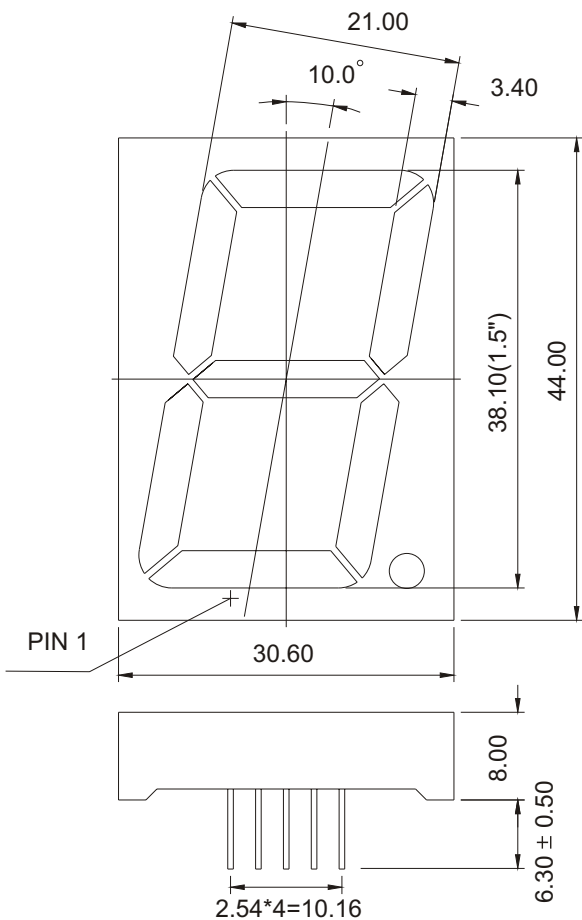
Characteristic	Test Condition	Symbol	S	G	E	UE	UG	Units
Pulse Forward Current Per Seg.	1/10 duty cycle 0.1ms Pulse width	I <sub>FP</sub>	100	100	100	100	100	mA
DC Forward Current Per Seg.		I <sub>F</sub>	25	30	30	30	30	mA
Reverse Current Per Seg.	V <sub>R</sub> =10V	I <sub>R</sub>	10	10	10	10	10	μA
Power Dissipation		P <sub>D</sub>	60*15	80*15	80*15	65*15	75*15	mW
Operating Temperature		T <sub>OPR</sub>	-40 to +80					°C
Storage Temperature		T <sub>TSG</sub>	-40 to +85					°C
Lead soldering temperature	1.60mm from body maximum 3 seconds		260					°C

Checked	Chen N.H.	Approved	Jason Chen	Date	Dec/17/2006	PAGE 1 / 2
---------	-----------	----------	------------	------	-------------	------------



# 1.50"(38.10mm) Single Digit Bi-Color 7 Segment Display

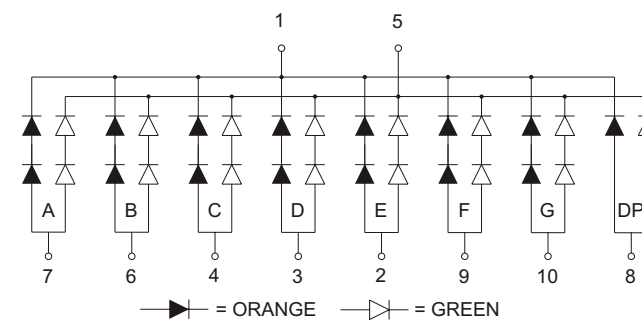
## PACKAGE DIMENSION



Tolerance  $\pm 0.25\text{mm}$  unless stated

## INTERNAL CIRCUIT DIAGRAM

### Common Cathode NFD-15011AEG



### Common Anode NFD-15011BEG

