



1.20"(30.60mm)Single Digit Bi-Color 7 Segment Display

Features:

- *High segment intensity
- *Wide viewing angle
- *Range of colors
- *Gray face White segment
- *RoHS compliant

Available option:

- *Alternative face and segment color
- *Alternative font
- *Cropped terminal pins
- *Available emitting color
- *Low current version

Electro/Optical Characteristics If=20mA Ta=25°C

Part Number Common Cathode	Part Number Common Anode	Emitting Colors	Peak Wavelength	Forward Voltage V _F /Seg.(DP)		Luminous Intensity I _v /Seg.(DP)	
				Typ.	Max.	Min.	Typ.
NFD-12011ASG-21	NFD-12011BSG-21	GaAlAs/GaAs SH Hi-Red	660	3.60(1.80)	4.40(2.20)	16.00(8.00)	24.00(12.00)
		GaP/GaP Green	568	4.40(2.20)	5.00(2.50)	14.00(7.00)	22.00(11.00)
NFD-12011AEG-21	NFD-12011BEG-21	GaAsP/GaP Orange	632	4.20(2.10)	5.00(2.50)	16.00(8.00)	24.00(12.00)
		GaP/GaP Green	568	4.40(2.20)	5.00(2.50)	14.00(7.00)	22.00(11.00)
NFD-12011AUEUG-21	NFD-12011BUEUG-21	AlGaInP/GaAs Ultra Orange	632	4.00(2.00)	5.00(2.50)	80.00(40.0)	120.0(60.0)
		AlGaInP/GaAs Ultra Green	574	4.20(2.10)	5.00(2.50)	50.00(25.0)	80.00(40.0)
Units			nm	V		mcd	

Maximum Ratings Ta=25°C (Derate above 25°C)

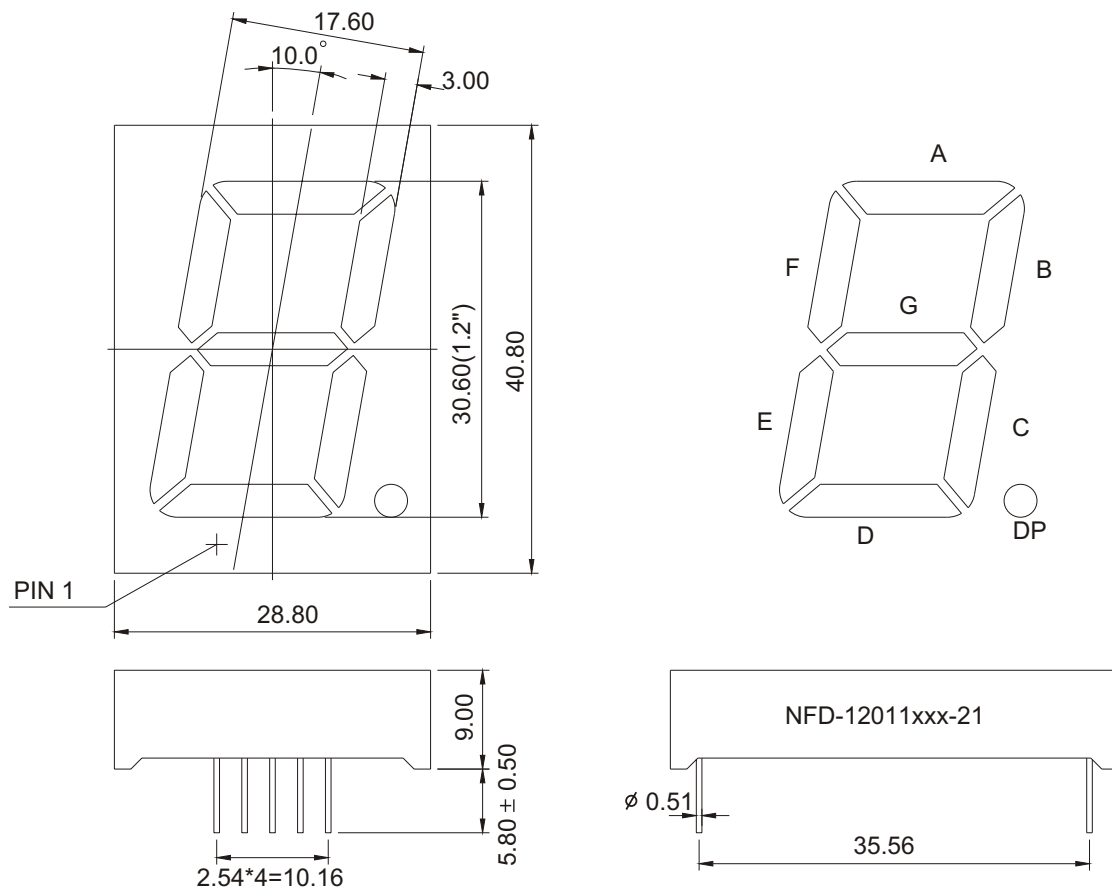
Characteristic	Test Condition	Symbol	S	G	E	UE	UG	Units
Pulse Forward Current Per Seg.	1/10 duty cycle 0.1ms Pulse width	I _{FP}	100	100	100	100	100	mA
DC Forward Current Per Seg.		I _F	25	30	30	30	30	mA
Reverse Current Per Seg.	V _R =10V	I _R	10	10	10	10	10	μA
Power Dissipation		P _D	60*15	80*15	80*15	65*15	75*15	mW
Operating Temperature		T _{OPR}	-40 to +80					°C
Storage Temperature		T _{TSG}	-40 to +85					°C
Lead soldering temperature	1.60mm from body maximum 3 seconds		260					°C

Checked	Chen N.H.	Approved	Jason Chen	Date	Dec/17/2006	PAGE 1 / 2
---------	-----------	----------	------------	------	-------------	------------



1.20"(30.60mm) Single Digit Bi-Color 7 Segment Display

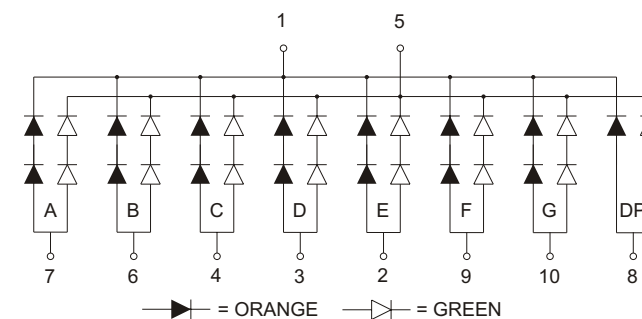
PACKAGE DIMENSION



Tolerance $\pm 0.25\text{mm}$ unless stated

INTERNAL CIRCUIT DIAGRAM

Common Cathode NFD-12011AEG



Common Anode NFD-12011BEG

