



1.20"(30.60mm)Single Digit 7 Segment Display

Features:

- *Ultra segment intensity
- *Wide viewing angle
- *Range of colors
- *Gray face White segment
- *RoHS compliant

Available option:

- *Alternative face and segment color
- *Alternative font
- *Cropped terminal pins
- *Available emitting color
- *Low current version

Electro/Optical Characteristics If=20mA Ta=25°C

Part Number Common Cathode	Part Number Common Anode	Emitting Color	Peak Wavelength	Forward Voltage V _F /Seg.(DP)		Luminous Intensity I _v /Seg.(DP)	
				Typ.	Max.	Min.	Typ.
NFD-12011AUEb-21	NFD-12011BUEb-21	AlGaInP/GaAs Ultra Orange	632	4.00(2.00)	5.00(2.50)	80.00 (40.00)	120.00(60.00)
Units			nm	V		mcd	

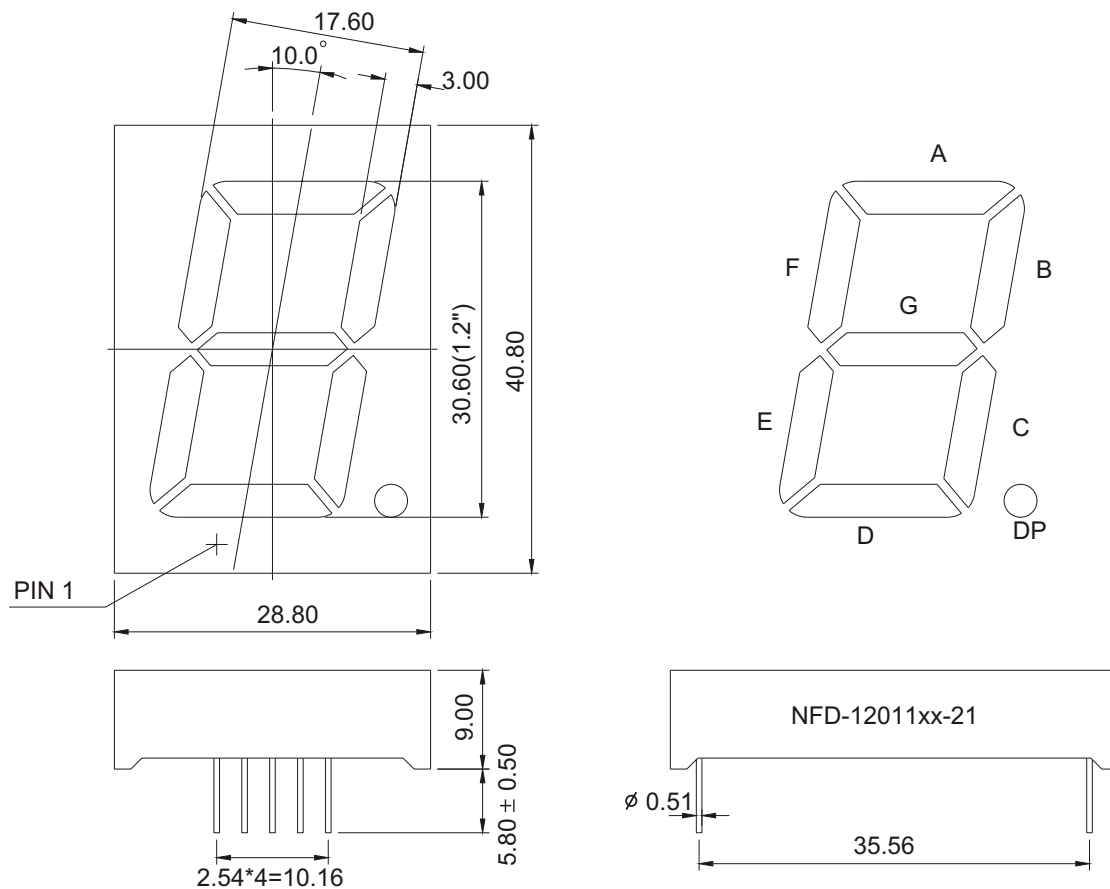
Maximum Ratings Ta=25°C (Derate above 25°C)

Characteristic	Test Condition	Symbol	UE	Units
Pulse Forward Current Per Seg.	1/10 duty cycle 0.1ms Pulse width	I _{FP}	100	mA
DC Forward Current Per Seg.		I _F	30	mA
Reverse Current Per Seg.	V _R =10V	I _R	10	μA
Power Dissipation		P _D	65*15	mW
Operating Temperature		T _{OPR}	-40 to +80 °C	
Storage Temperature		T _{TSG}	-40 to +85 °C	
Lead soldering temperature	1.60mm from body maximum 3 seconds		260 °C	



1.20"(30.60mm)Single Digit 7 Segment Display

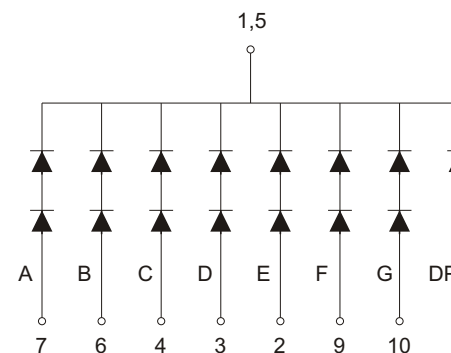
PACKAGE DIMENSION



Tolerance $\pm 0.25\text{mm}$ unless stated

INTERNAL CIRCUIT DIAGRAM

Common Cathode
NFD-12011Ax



Common Anode
NFD-12011Bx

