



## 0.80"(20.40mm)Single Digit Bi-Color 7 Segment Display

### Features:

- \*High segment intensity
- \*Wide viewing angle
- \*Range of colors
- \*Black face White segment
- \*RoHS compliant

### Available option:

- \*Alternative face and segment color
- \*Alternative font
- \*Cropped terminal pins
- \*Available emitting color
- \*Low current version

### Electro/Optical Characteristics If=20mA Ta=25°C

Part Number Common Cathode	Part Number Common Anode	Emitting Colors	Peak Wavelength	Forward Voltage V <sub>F</sub> /Seg.(DP)		Luminous Intensity I <sub>v</sub> /Seg.(DP)	
				Typ.	Max.	Min.	Typ.
NFD-8012ASG-11	NFD-8012BSG-11	GaAlAs/GaAs SH Hi-Red	660	1.80	2.20	8.00	12.00
		GaP/GaP Green	568	2.20	2.50	7.00	11.00
NFD-8012AEG-11	NFD-8012BEG-11	GaAsP/GaP Orange	632	2.10	2.50	8.00	12.00
		GaP/GaP Green	568	2.20	2.50	7.00	11.00
NFD-8012AUEUG-11	NFD-8012BUEUG-11	AlGaInP/GaAs Ultra Orange	632	2.00	2.50	40.0	60.0
		AlGaInP/GaAs Ultra Green	574	2.10	2.50	25.0	40.0
Units			nm	V		mcd	

### Maximum Ratings Ta=25°C (Derate above 25°C)

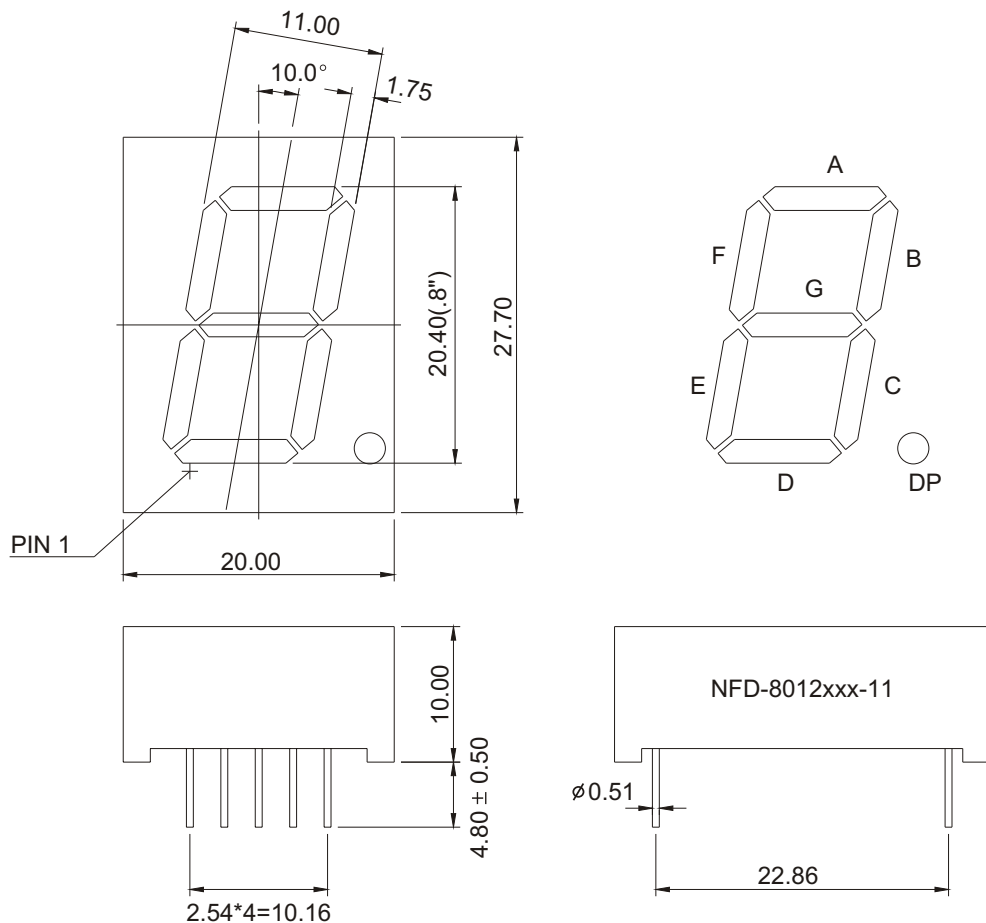
Characteristic	Test Condition	Symbol	S	G	E	UE	UG	Units
Pulse Forward Current Per Seg.	1/10 duty cycle 0.1ms Pulse width	I <sub>FP</sub>	100	100	100	100	100	mA
DC Forward Current Per Seg.		I <sub>F</sub>	25	30	30	30	30	mA
Reverse Current Per Seg.	V <sub>R</sub> =10V	I <sub>R</sub>	10	10	10	10	10	μA
Power Dissipation		P <sub>D</sub>	60*8	80*8	80*8	65*8	75*8	mW
Operating Temperature		T <sub>OPR</sub>	-40 to +80					°C
Storage Temperature		T <sub>TSG</sub>	-40 to +85					°C
Lead soldering temperature	1.60mm from body maximum 3 seconds		260					°C

Checked	Chen N.H.	Approved	Jason Chen	Date	Dec/17/2006	PAGE 1 / 2
---------	-----------	----------	------------	------	-------------	------------



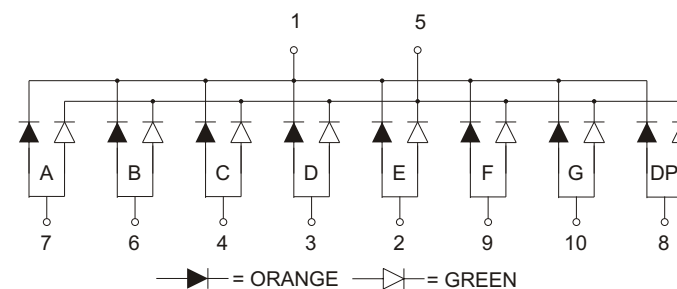
# 0.80"(20.40mm)Single Digit Bi-Color 7 Segment Display

## PACKAGE DIMENSION

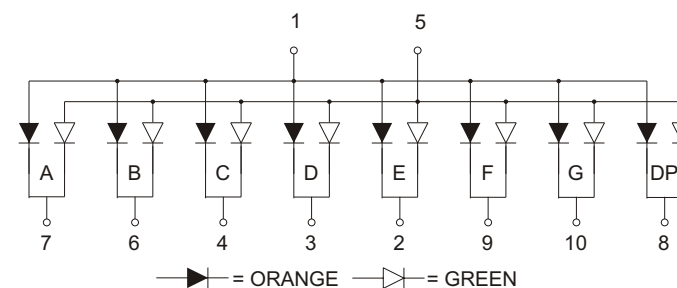


## INTERNAL CIRCUIT DIAGRAM

Common Cathode  
NFD-8012AEG



Common Anode  
NFD-8012BEG



Tolerance ±0.25mm unless stated