



0.80"(20.40mm)Single Digit Bi-Color 7 Segment Display

Features:

- *High segment intensity
- *Wide viewing angle
- *Range of colors
- *Gray face White segment
- *RoHS compliant

Available option:

- *Alternative face and segment color
- *Alternative font
- *Cropped terminal pins
- *Available emitting color
- *Low current version

Electro/Optical Characteristics If=20mA Ta=25°C

Part Number Common Cathode	Part Number Common Anode	Emitting Colors	Peak Wavelength	Forward Voltage V _F /Seg.(DP)		Luminous Intensity I _v /Seg.(DP)	
				Typ.	Max.	Min.	Typ.
NFD-8011ASG-21	NFD-8011BSG-21	GaAlAs/GaAs SH Hi-Red	660	1.80	2.20	8.00	12.00
		GaP/GaP Green	568	2.20	2.50	7.00	11.00
NFD-8011AEG-21	NFD-8011BEG-21	GaAsP/GaP Orange	632	2.10	2.50	8.00	12.00
		GaP/GaP Green	568	2.20	2.50	7.00	11.00
NFD-8011AUEUG-21	NFD-8011BUEUG-21	AlGaInP/GaAs Ultra Orange	632	2.00	2.50	40.0	60.0
		AlGaInP/GaAs Ultra Green	574	2.10	2.50	25.0	40.0
Units			nm	V		mcd	

Maximum Ratings Ta=25°C (Derate above 25°C)

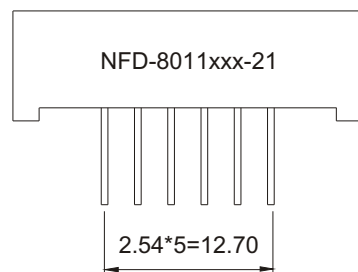
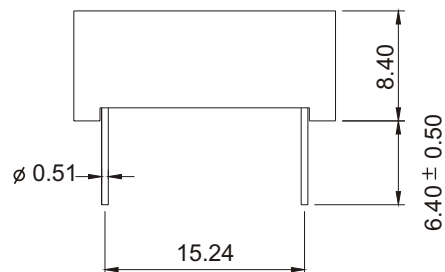
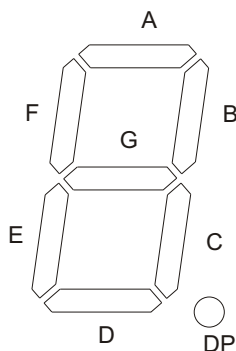
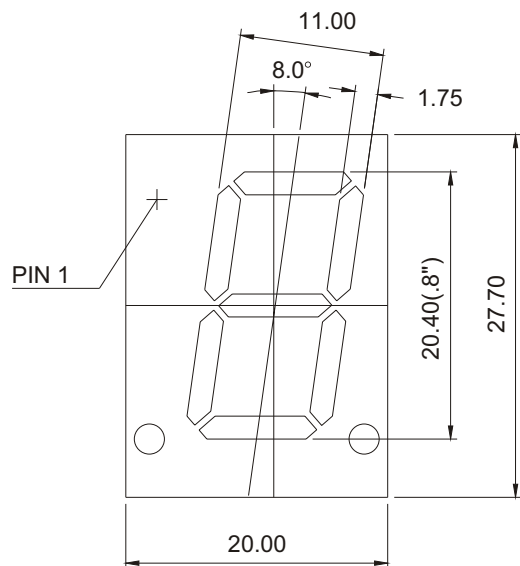
Characteristic	Test Condition	Symbol	S	G	E	UE	UG		Units	
Pulse Forward Current Per Seg.	1/10 duty cycle 0.1ms Pulse width	I _{FP}	100	100	100	100	100		mA	
DC Forward Current Per Seg.		I _F	25	30	30	30	30		mA	
Reverse Current Per Seg.	V _R =10V	I _R	10	10	10	10	10		μA	
Power Dissipation		P _D	60*8	80*8	80*8	65*8	75*8		mW	
Operating Temperature		T _{OPR}	-40 to +80							°C
Storage Temperature		T _{TSG}	-40 to +85							°C
Lead soldering temperature	1.60mm from body maximum 3 seconds		260							°C

Checked	Chen N.H.	Approved	Jason Chen	Date	Dec/17/2006	PAGE 1 / 2			
---------	-----------	----------	------------	------	-------------	------------	--	--	--



0.80"(20.40mm) Single Digit Bi-Color 7 Segment Display

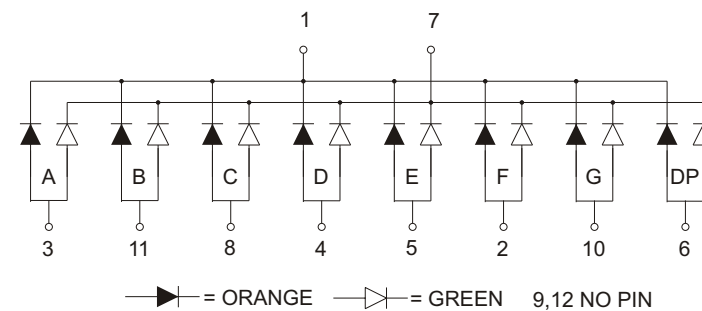
PACKAGE DIMENSION



Tolerance $\pm 0.25\text{mm}$ unless stated

INTERNAL CIRCUIT DIAGRAM

Common Cathode NFD-8011AEG



Common Anode NFD-8011BEG

