



0.56"(14.2mm)Single Digit 7 Segment Display

**Features:**

- \*High segment intensity
- \*Wide viewing angle
- \*Range of colors
- \*Gray face White segment
- \*RoHS compliant

**Available option:**

- \*Alternative face and segment color
- \*Alternative font
- \*Cropped terminal pins
- \*Available emitting color
- \*Low current version

**Electro/Optical Characteristics If=20mA Ta=25°C**

Part Number Common Cathode	Part Number Common Anode	Emitting Color	Peak Wavelength	Forward Voltage Vf/Seg.		Luminous Intensity Iv/Seg.	
				Typ.	Max.	Min.	Typ.
NFD-5616AUEb-21	NFD-5616BUEb-21	AlGaInP/GaAs Ultra Orange	632	2.00	2.50	30.00	50.00
NFD-5616AE-21	NFD-5616BE-21	GaAsP/GaP Orange	632	2.10	2.50	8.00	12.00
Units			nm	V		mcd	

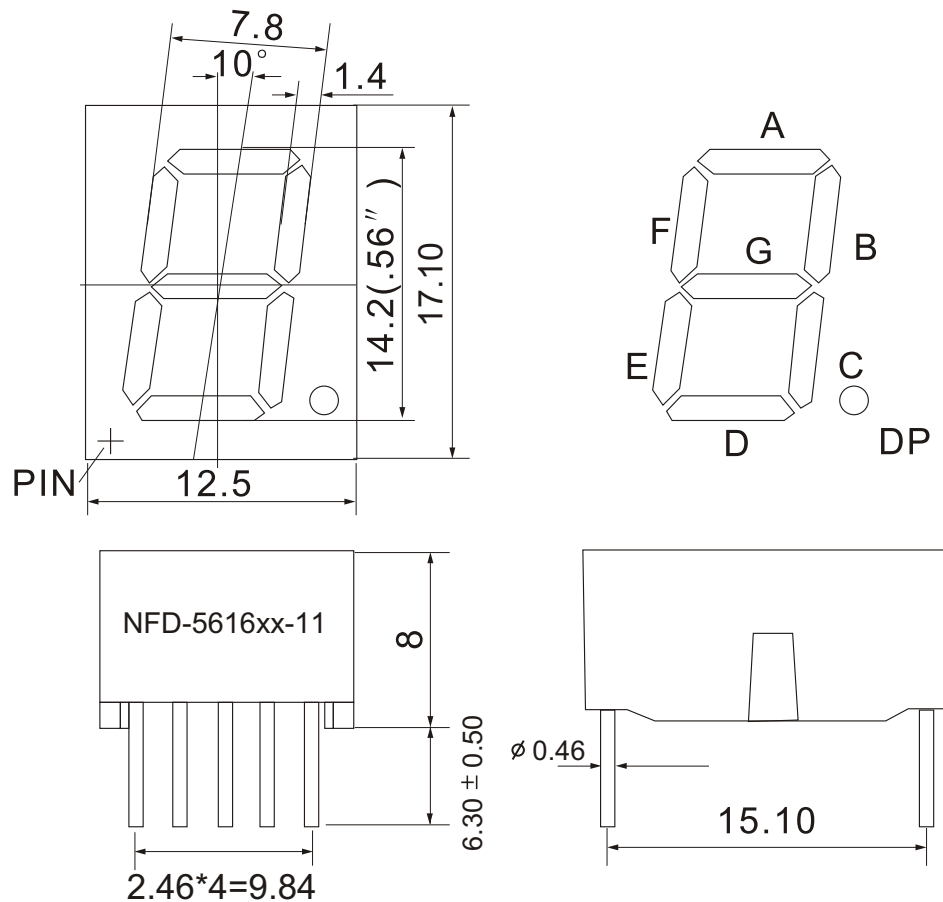
**Maximum Ratings Ta=25°C (Derate above 25°C)**

Characteristic	Test Condition	Symbol	UEb	E						Units
Pulse Forward Current Per Seg.	1/10 duty cycle 0.1ms Pulse width	I <sub>FP</sub>	80	100						mA
DC Forward Current Per Seg.		I <sub>F</sub>	25	30						mA
Reverse Current Per Seg.	V <sub>R</sub> =5V	I <sub>R</sub>	10	10						μ A
Power Dissipation		P <sub>D</sub>	65*8	80*8						mW
Operating Temperature		T <sub>OPR</sub>	-40 to +80							°C
Storage Temperature		T <sub>STG</sub>	-40 to +85							°C
Lead soldering temperature	1.60mm from body maximum 3 seconds		260							°C



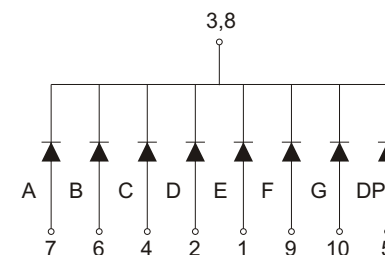
0.56"(14.20mm)Single Digit 7 Segment Display

PACKAGE DIMENSION

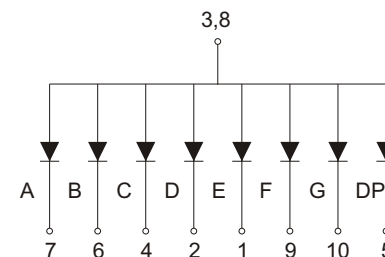


INTERNAL CIRCUIT DIAGRAM

Common Cathode  
NFD-5616Ax



Common Anode  
NFD-5616Bx



Tolerance  $\pm 0.25\text{mm}$  unless stated