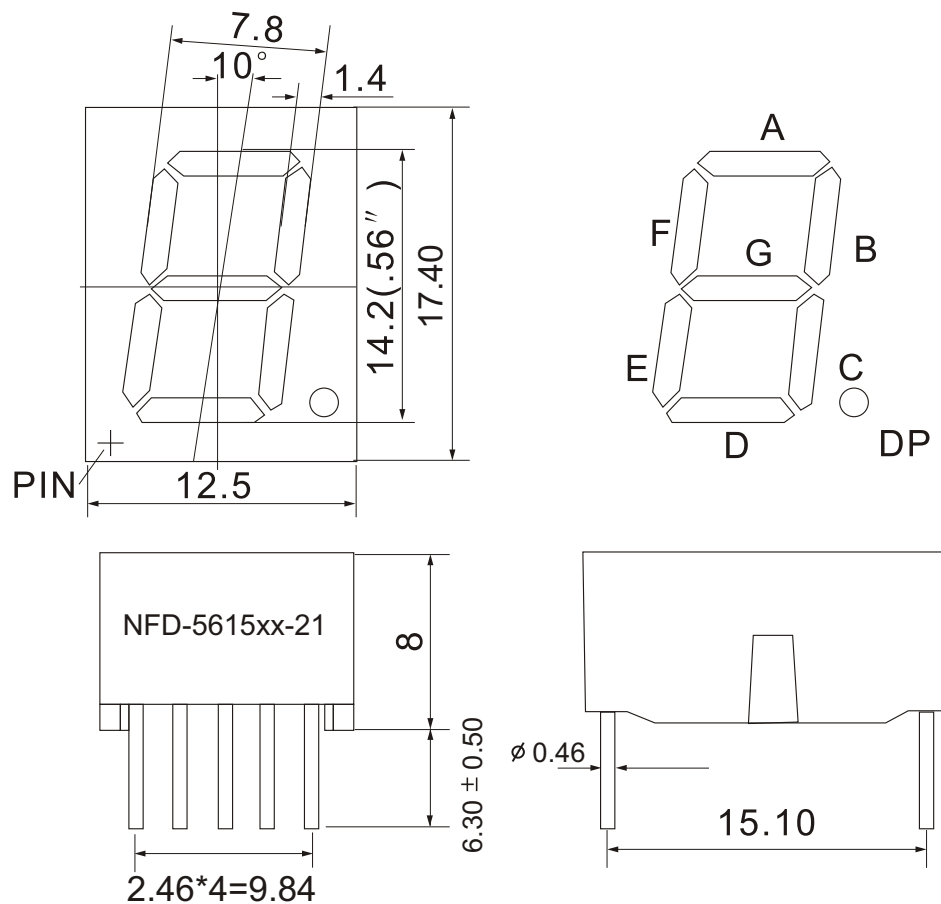




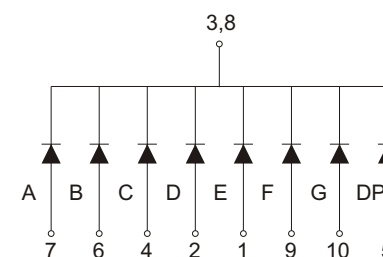
0.56"(14.20mm)Single Digit 7 Segment Display

PACKAGE DIMENSION

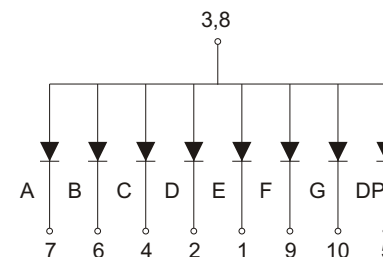


INTERNAL CIRCUIT DIAGRAM

Common Cathode NFD-5615Ax



Common Anode NFD-5615Bx



Tolerance $\pm 0.25\text{mm}$ unless stated