



0.56"(14.20mm)Single Digit Bi-Color 7 Segment Display

Features:

- *High segment intensity
- *Wide viewing angle
- *Range of colors
- *Gray face White segment
- *RoHS compliant

Available option:

- *Alternative face and segment color
- *Alternative font
- *Cropped terminal pins
- *Available emitting color
- *Low current version

Electro/Optical Characteristics If=20mA Ta=25°C

Part Number Common Cathode	Part Number Common Anode	Emitting Colors	Peak Wavelength	Forward Voltage V _F /Seg.(DP)		Luminous Intensity I _v /Seg.(DP)	
				Typ.	Max.	Min.	Typ.
NFD-5611ASG-21	NFD-5611BSG-21	GaAlAs/GaAs SH Hi-Red	660	1.80	2.20	8.00	12.00
		GaP/GaP Green	568	2.20	2.50	7.00	11.00
NFD-5611AEG-21	NFD-5611BEG-21	GaAsP/GaP Orange	632	2.10	2.50	8.00	12.00
		GaP/GaP Green	568	2.20	2.50	7.00	11.00
NFD-5611AUEUG-21	NFD-5611BUEUG-21	AlGaInP/GaAs Ultra Orange	632	2.00	2.50	40.0	60.0
		AlGaInP/GaAs Ultra Green	574	2.10	2.50	25.0	40.0
Units			nm	V		mcd	

Maximum Ratings Ta=25°C (Derate above 25°C)

Characteristic	Test Condition	Symbol	S	G	E	UE	UG	Units
Pulse Forward Current Per Seg.	1/10 duty cycle 0.1ms Pulse width	I _{FP}	100	100	100	100	100	mA
DC Forward Current Per Seg.		I _F	25	30	30	30	30	mA
Reverse Current Per Seg.	V _R =10V	I _R	10	10	10	10	10	μA
Power Dissipation		P _D	60*8	80*8	80*8	65*8	75*8	mW
Operating Temperature		T _{OPR}	-40 to +80					°C
Storage Temperature		T _{TSG}	-40 to +85					°C
Lead soldering temperature	1.60mm from body maximum 3 seconds		260					°C

Checked

Chen N.H.

Approved

Jason Chen

Date

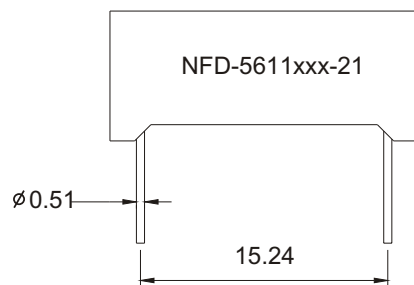
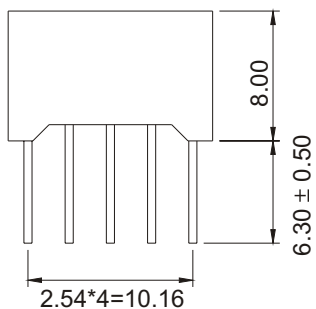
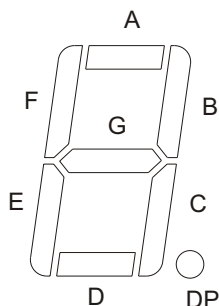
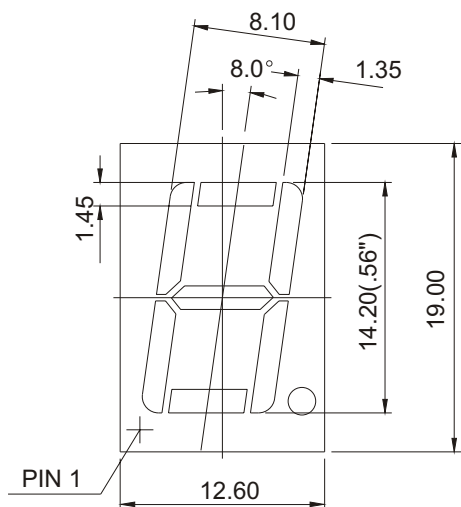
Dec/17/2006

PAGE 1 / 2



0.56"(14.20mm) Single Digit Bi-Color 7 Segment Display

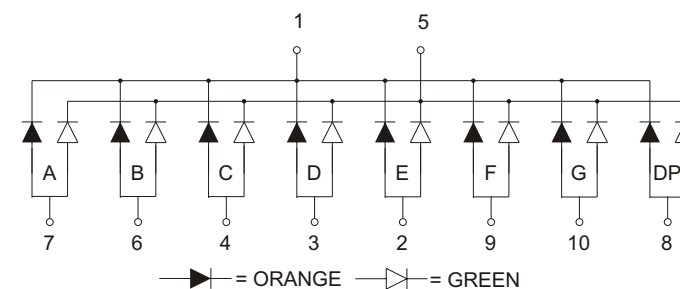
PACKAGE DIMENSION



Tolerance $\pm 0.25\text{mm}$ unless stated

INTERNAL CIRCUIT DIAGRAM

Common Cathode NFD-5611AEG



Common Anode NFD-5611BEG

