



## 0.56"(14.2mm) Single Digit 7 Segment Display

### Features:

- \*Ultra segment intensity
- \*Wide viewing angle
- \*Range of colors
- \*Black face White segment
- \*RoHS compliant

### Available option:

- \*Alternative face and segment color
- \*Alternative font
- \*Cropped terminal pins
- \*Available emitting color
- \*Low current version

### Electro/Optical Characteristics If=20mA Ta=25°C

Part Number Common Cathode	Part Number Common Anode	Emitting Color	Peak Wavelength	Forward Voltage Vf/Seg.		Luminous Intensity Iv/Seg.	
				Typ.	Max.	Min.	Typ.
NFD-5611AUHRb-11	NFD-5611BUHRb-11	AlGaInP/GaAs Ultra Red	640	2.00	2.50	30.00	50.00
NFD-5611AUEb-11	NFD-5611BUEb-11	AlGaInP/GaAs Ultra Orange	632	2.00	2.50	30.00	50.00
NFD-5611AYOb-11	NFD-5611BYOb-11	AlGaInP/GaAs Ultra Amber	605	2.00	2.50	30.00	50.00
NFD-5611AUYb-11	NFD-5611BUYb-11	AlGaInP/GaAs Ultra Yellow	590	2.00	2.50	30.00	50.00
NFD-5611AUGb-11	NFD-5611BUGb-11	AlGaInP/GaAs Ultra Green	574	2.10	2.50	20.00	30.00
Units			nm	V		mcd	

### Maximum Ratings Ta=25°C (Derate above 25 C)

Characteristic	Test Condition	Symbol	UHR	UE	YO	UY	UG		Units
Pulse Forward Current Per Seg.	1/10 duty cycle 0.1ms Pulse width	I <sub>FP</sub>	80	80	80	80	80		mA
DC Forward Current Per Seg.		I <sub>F</sub>	25	25	25	25	25		mA
Reverse Current Per Seg.	V <sub>R</sub> =5V	I <sub>R</sub>	10	10	10	10	10		μA
Power Dissipation		P <sub>D</sub>	65*8	65*8	65*8	65*8	75*8		mW
Operating Temperature		T <sub>OPR</sub>	-40 to +80						°C
Storage Temperature		T <sub>TSG</sub>	-40 to +85						°C
Lead soldering temperature	1.60mm from body maximum 3 seconds		260						°C

Checked

Chen N.H.

Approved

Jason Chen

Date

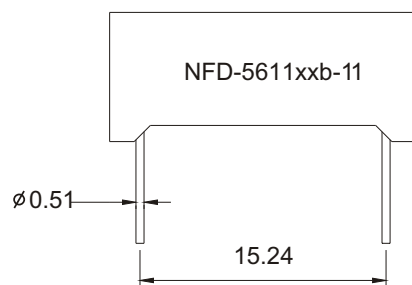
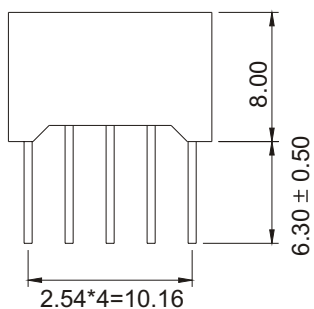
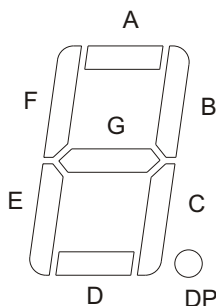
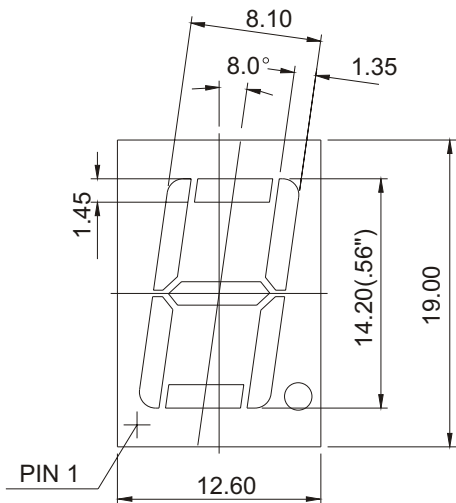
Mar/04/2007

PAGE 1 / 2



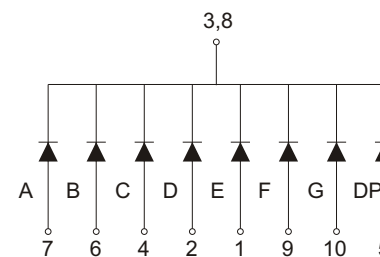
# 0.56"(14.20mm)Single Digit 7 Segment Display

## PACKAGE DIMENSION

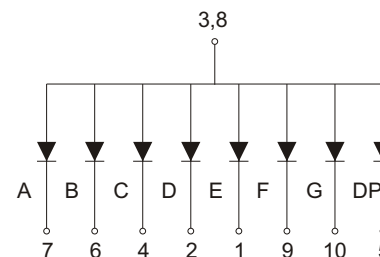


## INTERNAL CIRCUIT DIAGRAM

### Common Cathode NFD-5611Ax



### Common Anode NFD-5611Bx



Tolerance  $\pm 0.25\text{mm}$  unless stated

Checked

Chen N.H.

Approved

Jason Chen

Date

Mar/04/2007

PAGE 2 / 2