



0.56"(14.20mm)Single Digit 7 Segment Display

**Features:**

- \*Ultra segment intensity
- \*Wide viewing angle
- \*Range of colors
- \*Black face White segment
- \*RoHS compliant

**Available option:**

- \*Alternative face and segment color
- \*Alternative font
- \*Cropped terminal pins
- \*Available emitting color
- \*Low current version

**Electro/Optical Characteristics If=20mA Ta=25°C**

Part Number Common Cathode	Part Number Common Anode	Emitting Color	Peak Wavelength	Forward Voltage V <sub>F</sub> /Seg.		Luminous Intensity I <sub>v</sub> /Seg.	
				Typ.	Max.	Min.	Typ.
NFD-5611AUW-11	NFD-5611BUW-11	InGaN/SiC Ultra White		3.50	4.00	40.0	60.0
Units			nm	V		mcd	

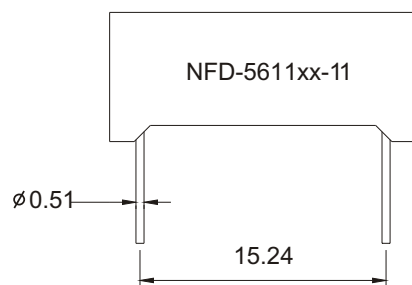
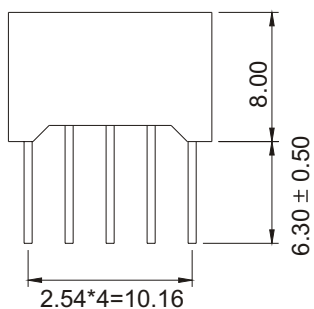
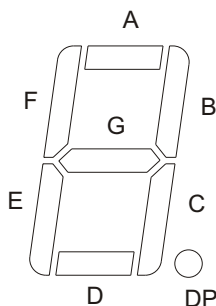
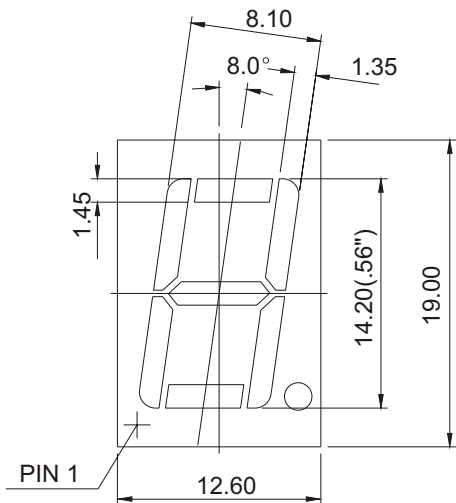
**Maximum Ratings Ta=25°C (Derate above 25°C)**

Characteristic	Test Condition	Symbol	UW					Units
Pulse Forward Current Per Seg.	1/10 duty cycle 0.1ms Pulse width	I <sub>FP</sub>	100					mA
DC Forward Current Per Seg.		I <sub>F</sub>	25					mA
Reverse Current Per Seg.	V <sub>R</sub> =5V	I <sub>R</sub>	10					μA
Power Dissipation		P <sub>D</sub>	120*8					mW
Operating Temperature		T <sub>OPR</sub>					-40 to +80	°C
Storage Temperature		T <sub>TSG</sub>					-40 to +85	°C
Lead soldering temperature	1.60mm from body maximum 3 seconds						260	°C



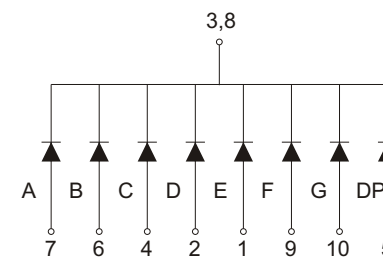
# 0.56"(14.20mm)Single Digit 7 Segment Display

## PACKAGE DIMENSION

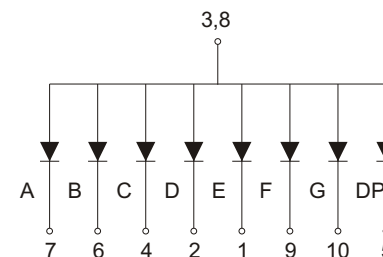


## INTERNAL CIRCUIT DIAGRAM

### Common Cathode NFD-5611Ax



### Common Anode NFD-5611Bx



Tolerance  $\pm 0.25\text{mm}$  unless stated