



## 0.40"(10.16mm)Single Digit 7 Segment Display

### Features:

- \*High segment intensity
- \*Wide viewing angle
- \*Range of colors
- \*Red face Red segment
- \*RoHS compliant

### Available option:

- \*Alternative face and segment color
- \*Alternative font
- \*Cropped terminal pins
- \*Available emitting color
- \*Low current version

### Electro/Optical Characteristics If=20mA Ta=25°C

Part Number Common Cathode	Part Number Common Anode	Emitting Color	Peak Wavelength	Forward Voltage V <sub>F</sub> /Seg.		Luminous Intensity I <sub>v</sub> /Seg.	
				Typ.	Max.	Min.	Typ.
NFD-4011EH-32-L4	NFD-4011FH-32-L4	GaP/GaP Red	700	2.25	2.50	0.40	0.80
NFD-4011ES-32-L4	NFD-4011FS-32-L4	GaAlAs/GaAs SH Hi-Red	660	1.80	2.20	8.00	12.00
NFD-4011ED-32-L4	NFD-4011FD-32-L4	GaAlAs/GaAs DH Super Red	660	1.80	2.20	22.00	28.00
NFD-4011EE-32-L4	NFD-4011FE-32-L4	GaAsP/GaP Orange	632	2.10	2.50	8.00	12.00
Units			nm	V		mcd	

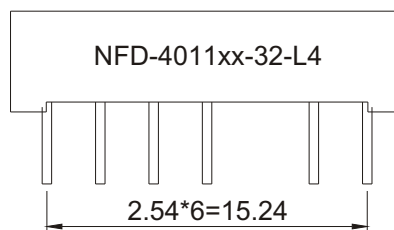
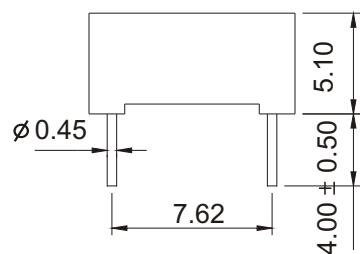
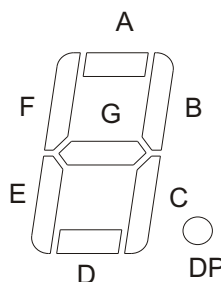
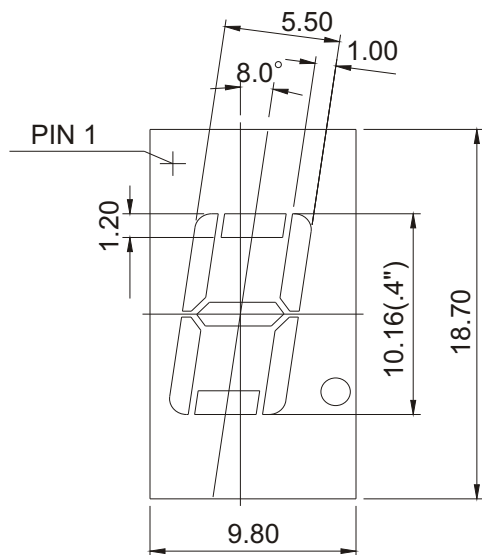
### Maximum Ratings Ta=25°C (Derate above 25°C)

Characteristic	Test Condition	Symbol	H	S	D	E		Units
Pulse Forward Current Per Seg.	1/10 duty cycle 0.1ms Pulse width	I <sub>FP</sub>	50	100	100	100		mA
DC Forward Current Per Seg.		I <sub>F</sub>	15	25	25	30		mA
Reverse Current Per Seg.	V <sub>R</sub> =5V	I <sub>R</sub>	10	10	10	10		μA
Power Dissipation		P <sub>D</sub>	40*8	60*8	60*8	80*8		mW
Operating Temperature		T <sub>OPR</sub>	-40 to +80					°C
Storage Temperature		T <sub>TSG</sub>	-40 to +85					°C
Lead soldering temperature	1.60mm from body maximum 3 seconds		260					°C



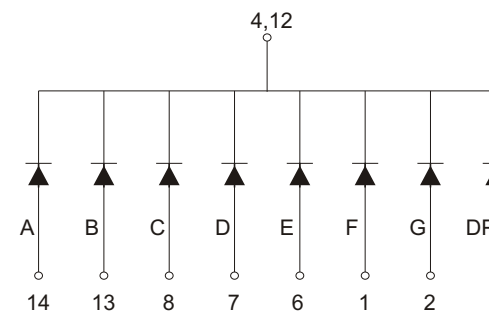
0.40"(10.16mm)Single Digit 7 Segment Display

PACKAGE DIMENSION



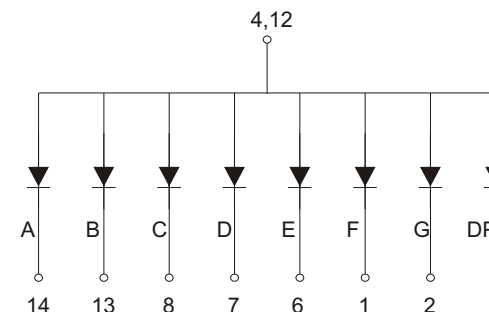
INTERNAL CIRCUIT DIAGRAM

Common Cathode  
NFD-4011Ex



3,5,10,11NO PIN

Common Anode  
NFD-4011Fx



3,5,10,11NO PIN

Tolerance  $\pm 0.25$ mm unless stated