



0.39"(10.00mm)Single Digit 7 Segment Display

Features:

- *Ultra segment intensity
- *Wide viewing angle
- *Range of colors
- *Black face White segment
- *RoHS compliant

Available option:

- *Alternative face and segment color
- *Alternative font
- *Cropped terminal pins
- *Available emitting color
- *Low current version

Electro/Optical Characteristics If=20mA Ta=25°C

Part Number Common Cathode	Part Number Common Anode	Emitting Color	Peak Wavelength	Forward Voltage V _F /Seg.		Luminous Intensity I _v /Seg.	
				Typ.	Max.	Min.	Typ.
NFD-3912AUW-11	NFD-3912BUW-11	InGaN/SiC Ultra White		3.50	4.00	40.0	60.0
Units			nm	V		mcd	

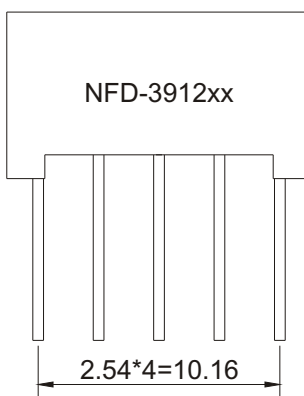
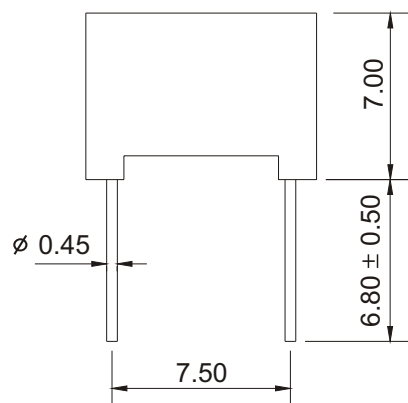
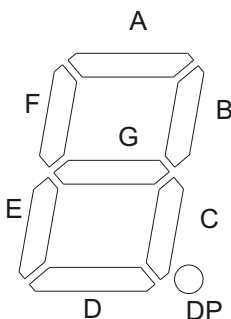
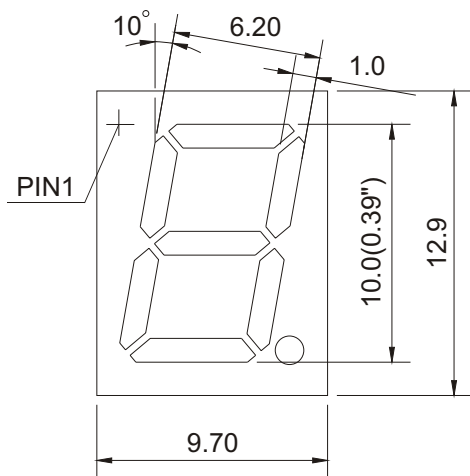
Maximum Ratings Ta=25°C (Derate above 25°C)

Characteristic	Test Condition	Symbol	UW					Units
Pulse Forward Current Per Seg.	1/10 duty cycle 0.1ms Pulse width	I _{FP}	100					mA
DC Forward Current Per Seg.		I _F	25					mA
Reverse Current Per Seg.	V _R =5V	I _R	10					μA
Power Dissipation		P _D	120*8					mW
Operating Temperature		T _{OPR}					-40 to +80	°C
Storage Temperature		T _{TSG}					-40 to +85	°C
Lead soldering temperature	1.60mm from body maximum 3 seconds						260	°C



0.39"(10.00mm)Single Digit 7 Segment Display

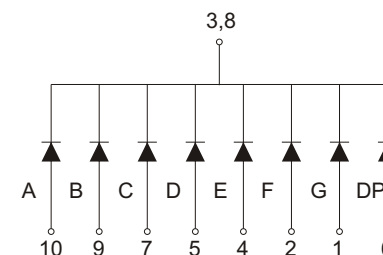
PACKAGE DIMENSION



Tolerance $\pm 0.25\text{mm}$ unless stated

INTERNAL CIRCUIT DIAGRAM

Common Cathode NFD-3912Ax



Common Anode NFD-3912Bx

