



## 0.39"(9.90mm)Single Digit 7 Segment Display

### Features:

- \*Ultra segment intensity
- \*Wide viewing angle
- \*Range of colors
- \*Black face White segment
- \*RoHS compliant

### Available option:

- \*Alternative face and segment color
- \*Alternative font
- \*Cropped terminal pins
- \*Available emitting color
- \*Low current version

### Electro/Optical Characteristics If=20mA Ta=25°C

Part Number Common Cathode	Part Number Common Anode	Emitting Color	Peak Wavelength	Forward Voltage Vf/Seg.		Luminous Intensity Iv/Seg.	
				Typ.	Max.	Min.	Typ.
NFD-3911AUHRb-11	NFD-3911BUHRb-11	AlGaInP/GaAs Ultra Red	640	2.00	2.50	30.00	50.00
NFD-3911AUEb-11	NFD-3911BUEb-11	AlGaInP/GaAs Ultra Orange	632	2.00	2.50	30.00	50.00
NFD-3911AYOb-11	NFD-3911BYOb-11	AlGaInP/GaAs Ultra Amber	605	2.00	2.50	30.00	50.00
NFD-3911AUYb-11	NFD-3911BUYb-11	AlGaInP/GaAs Ultra Yellow	590	2.00	2.50	30.00	50.00
NFD-3911AUGb-11	NFD-3911BUGb-11	AlGaInP/GaAs Ultra Green	574	2.10	2.50	20.00	30.00
Units			nm	V		mcd	

### Maximum Ratings Ta=25°C (Derate above 25°C)

Characteristic	Test Condition	Symbol	UHR	UE	YO	UY	UG			Units
Pulse Forward Current Per Seg.	1/10 duty cycle 0.1ms Pulse width	I <sub>FP</sub>	80	80	80	80	80			mA
DC Forward Current Per Seg.		I <sub>F</sub>	25	25	25	25	25			mA
Reverse Current Per Seg.	V <sub>R</sub> =5V	I <sub>R</sub>	10	10	10	10	10			μA
Power Dissipation		P <sub>D</sub>	65*8	65*8	65*8	65*8	75*8			mW
Operating Temperature		T <sub>OPR</sub>						-40 to +80		°C
Storage Temperature		T <sub>TSG</sub>						-40 to +85		°C
Lead soldering temperature	1.60mm from body maximum 3 seconds							260		°C

Checked

Chen N.H.

Approved

Jason Chen

Date

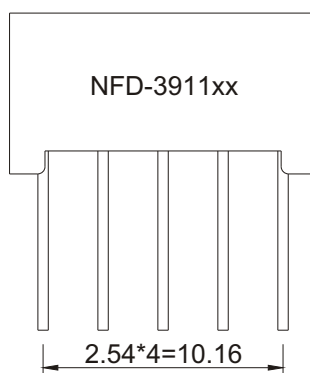
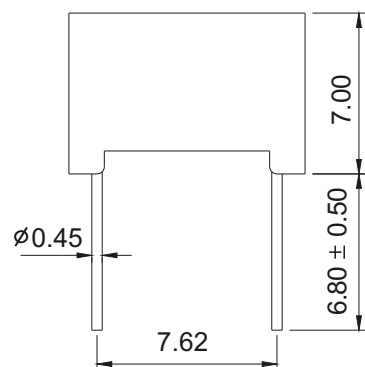
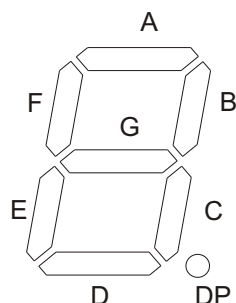
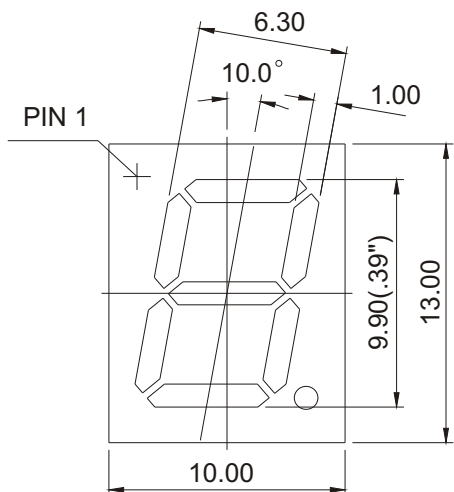
Mar/05/2007

PAGE 1 / 2



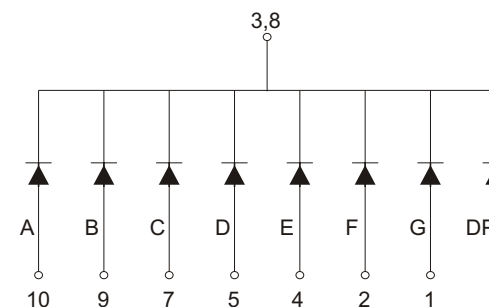
## 0.39"(9.90mm)Single Digit 7 Segment Display

### PACKAGE DIMENSION

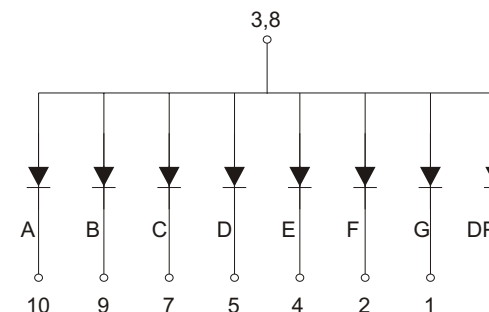


### INTERNAL CIRCUIT DIAGRAM

#### Common Cathode NFD-3911Ax



#### Common Anode NFD-3911Bx



Tolerance  $\pm 0.25\text{mm}$  unless stated