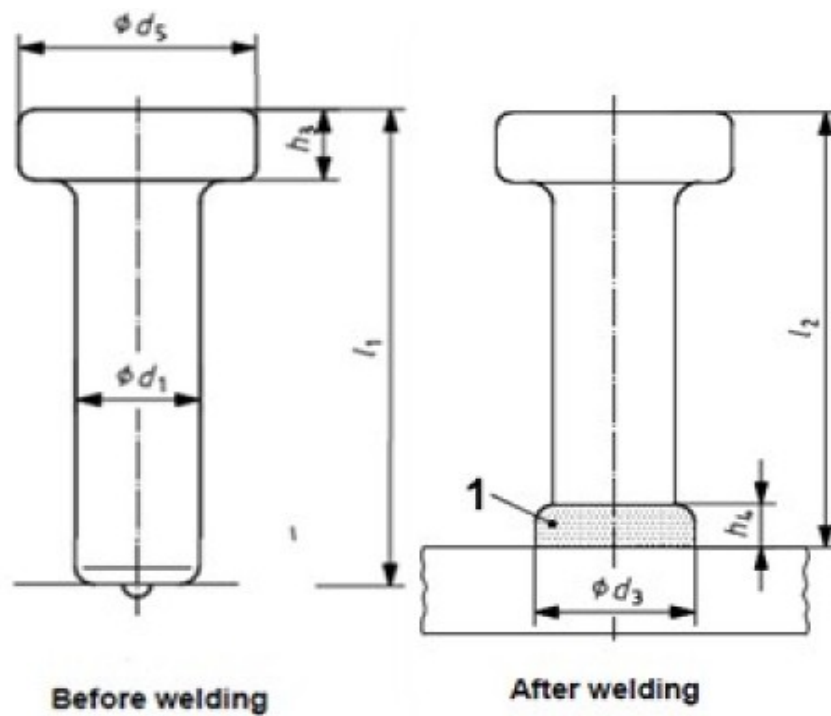




Demension of shear connector stud:

(as per ISO 13918 standard):



d_1		l_2		l_1		d_5		h_3	
Nominal \emptyset		Long welded		Length welding		Head \emptyset		Head height	
Standard	Tolerance	Standard	Tolerance	Standard	Tolerance	Standard	Tolerance	Standard	Tolerance
10	-0,4	Nominal length	+1, -2	l_2+3	$\pm 1,5$	19	$\pm 0,3$	7	+1, -0,5
10	9,6~10,0	50	48~51	53	51,5~54,5	19	18,7~19,3	7	6,5~8,0
10	9,6~10,0	75	73~76	78	76,5~79,5	19	18,7~19,3	7	6,5~8,0
10	9,6~10,0	100	98~101	103	101,5~104,5	19	18,7~19,3	7	6,5~8,0
10	9,6~10,0	125	123~126	128	126,5~129,5	19	18,7~19,3	7	6,5~8,0
10	9,6~10,0	150	148~151	153	151,5~154,5	19	18,7~19,3	7	6,5~8,0
10	9,6~10,0	175	173~176	178	177,5~179,5	19	18,7~19,3	7	6,5~8,0

d ₁		l ₂		l ₁		d ₅		h ₃	
Nominal Ø		Long welded		Length welding		Head Ø		Head height	
Standard	Tolerance	Standard	Tolerance	Standard	Tolerance	Standard	Tolerance	Standard	Tolerance
13	- 0,4	Nominal length	+1, - 2	l ₂ + 3	± 1,5	25	± 0,3	8	+1, - 0,5
13	12,6~13,0	50	48~51	53	51,5~54,5	25	24,7~19,3	8	7,5~9,0
13	12,6~13,0	75	73~76	78	76,5~79,5	25	24,7~19,3	8	7,5~9,0
13	12,6~13,0	100	98~101	103	101,5~104,5	25	24,7~19,3	8	7,5~9,0
13	12,6~13,0	125	123~126	128	126,5~129,5	25	24,7~19,3	8	7,5~9,0
13	12,6~13,0	150	148~151	153	151,5~154,5	25	24,7~19,3	8	7,5~9,0
13	12,6~13,0	175	173~176	178	177,5~179,5	25	24,7~19,3	8	7,5~9,0
13	12,6~13,0	200	198~201	203	201,5~204,5	25	24,7~19,3	8	7,5~9,0

d ₁		l ₂		l ₁		d ₅		h ₃	
Nominal Ø		Long welded		Length welding		Head Ø		Head height	
Standard	Tolerance	Standard	Tolerance	Standard	Tolerance	Standard	Tolerance	Standard	Tolerance
16	- 0,4	Nominal length	+1, - 2	l ₂ + 4	± 1,5	32	± 0,3	8	+1, - 0,5
16	15,6~16,0	50	48~51	54	52,5~55,5	32	31,7~32,3	8	7,5~9,0
16	15,6~16,0	75	73~76	79	77,5~80,5	32	31,7~32,3	8	7,5~9,0
16	15,6~16,0	100	98~101	104	102,5~105,5	32	31,7~32,3	8	7,5~9,0
16	15,6~16,0	125	123~126	129	127,5~130,5	32	31,7~32,3	8	7,5~9,0
16	15,6~16,0	150	148~151	154	152,5~155,5	32	31,7~32,3	8	7,5~9,0
16	15,6~16,0	175	173~176	179	177,5~180,5	32	31,7~32,3	8	7,5~9,0
16	15,6~16,0	200	198~201	204	202,5~205,5	32	31,7~32,3	8	7,5~9,0
16	15,6~16,0	225	223~226	229	227,5~230,5	32	31,7~32,3	8	7,5~9,0
16	15,6~16,0	250	248~251	254	252,5~255,5	32	31,7~32,3	8	7,5~9,0

d ₁		l ₂		l ₁		d ₅		h ₃	
Nominal Ø		Long welded		Length welding		Head Ø		Head height	
Standard	Tolerance	Standard	Tolerance	Standard	Tolerance	Standard	Tolerance	Standard	Tolerance
19	- 0,4	Nominal length	+1, - 2	l ₂ + 4,5	± 1,5	32	± 0,3	10	+1, - 0,5
19	18,6~19,0	50	48~51	54,5	53,0~56,0	32	31,7~32,3	10	9,5~11
19	18,6~19,0	75	73~76	79,5	78,0~81,0	32	31,7~32,3	10	9,5~11
19	18,6~19,0	100	98~101	104,5	103,0~106,0	32	31,7~32,3	10	9,5~11
19	18,6~19,0	125	123~126	129,5	128,0~131,0	32	31,7~32,3	10	9,5~11
19	18,6~19,0	150	148~151	154,5	153,0~156,0	32	31,7~32,3	10	9,5~11
19	18,6~19,0	175	173~176	179,5	178,0~181,0	32	31,7~32,3	10	9,5~11
19	18,6~19,0	200	198~201	204,5	203,0~206,0	32	31,7~32,3	10	9,5~11
19	18,6~19,0	225	223~226	229,5	228,0~231,0	32	31,7~32,3	10	9,5~11
19	18,6~19,0	250	248~251	254,5	253,0~256,0	32	31,7~32,3	10	9,5~11
19	18,6~19,0	275	273~276	279,5	278,0~281,0	32	31,7~32,3	10	9,5~11
19	18,6~19,0	300	298~301	304,5	303,0~306,0	32	31,7~32,3	10	9,5~11
19	18,6~19,0	325	323~326	329,5	328,0~331,0	32	31,7~32,3	10	9,5~11
19	18,6~19,0	350	348~351	354,5	353,0~356,0	32	31,7~32,3	10	9,5~11

d ₁		l ₂		l ₁		d ₅		h ₃	
Nominal Ø		Long welded		Length welding		Head Ø		Head height	
Standard	Tolerance	Standard	Tolerance	Standard	Tolerance	Standard	Tolerance	Standard	Tolerance
22	- 0,4	Nominal length	+1, - 2	l ₂ + 5	± 1,5	35	± 0,3	10	+1, - 0,5
22	21,6~22,0	50	48~51	55	53,5~56,5	35	34,7~35,3	10	9,5~11
22	21,6~22,0	75	73~76	80	78,5~81,5	35	34,7~35,3	10	9,5~11
22	21,6~22,0	100	98~101	105	103,5~106,5	35	34,7~35,3	10	9,5~11
22	21,6~22,0	125	123~126	130	128,5~131,5	35	34,7~35,3	10	9,5~11
22	21,6~22,0	150	148~151	155	153,5~156,5	35	34,7~35,3	10	9,5~11
22	21,6~22,0	175	173~176	180	178,5~181,5	35	34,7~35,3	10	9,5~11
22	21,6~22,0	200	198~201	205	203,5~206,5	35	34,7~35,3	10	9,5~11
22	21,6~22,0	225	223~226	230	228,5~231,5	35	34,7~35,3	10	9,5~11
22	21,6~22,0	250	248~251	255	253,5~256,5	35	34,7~35,3	10	9,5~11
22	21,6~22,0	275	273~276	280	278,5~281,5	35	34,7~35,3	10	9,5~11
22	21,6~22,0	300	298~301	305	303,5~306,5	35	34,7~35,3	10	9,5~11
22	21,6~22,0	325	323~326	330	328,5~331,5	35	34,7~35,3	10	9,5~11
22	21,6~22,0	350	348~351	355	353,5~356,5	35	34,7~35,3	10	9,5~11

d ₁		l ₂		l ₁		d ₅		h ₃	
Nominal Ø		Long welded		Length welding		Head Ø		Head height	
Standard	Tolerance	Standard	Tolerance	Standard	Tolerance	Standard	Tolerance	Standard	Tolerance
25	- 0,4	Nominal length	+1, - 2	l ₂ + 5,5	± 1,5	41	± 0,3	12	+1, - 0,5
25	24,6~25,0	75	73~76	80,5	79,0~82,0	41	40,7~41,3	12	11,5~13,0
25	24,6~25,0	100	98~101	105,5	104,0~107,0	41	40,7~41,3	12	11,5~13,0
25	24,6~25,0	125	123~126	130,5	129,0~132,0	41	40,7~41,3	12	11,5~13,0
25	24,6~25,0	150	148~151	155,5	154,0~157,0	41	40,7~41,3	12	11,5~13,0
25	24,6~25,0	175	173~176	180,5	179,0~182,0	41	40,7~41,3	12	11,5~13,0
25	24,6~25,0	200	198~201	205,5	204,0~207,0	41	40,7~41,3	12	11,5~13,0
25	24,6~25,0	225	223~226	230,5	229,0~232,0	41	40,7~41,3	12	11,5~13,0
25	24,6~25,0	250	248~251	255,5	254,0~257,0	41	40,7~41,3	12	11,5~13,0
25	24,6~25,0	275	273~276	280,5	279,0~282,0	41	40,7~41,3	12	11,5~13,0
25	24,6~25,0	300	298~301	305,5	304,0~307,0	41	40,7~41,3	12	11,5~13,0
25	24,6~25,0	325	323~326	330,5	329,0~332,0	41	40,7~41,3	12	11,5~13,0
25	24,6~25,0	350	348~351	355,5	354,0~357,0	41	40,7~41,3	12	11,5~13,0

