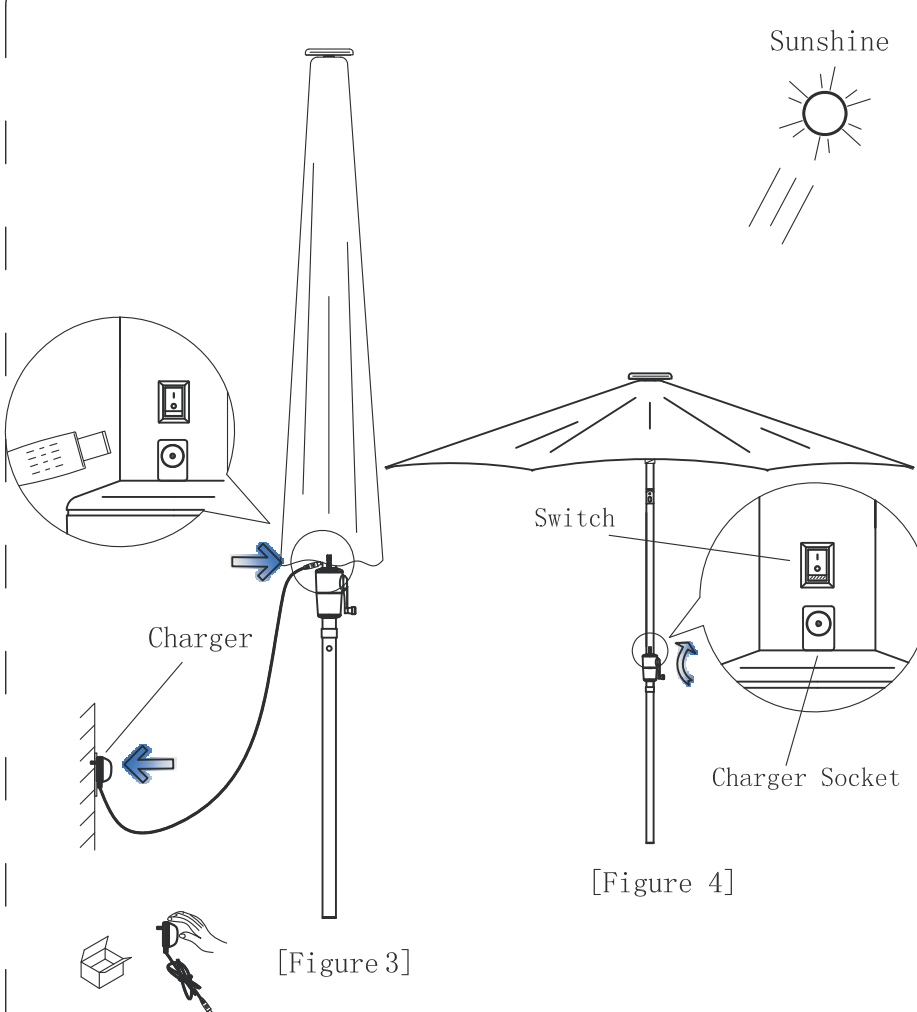
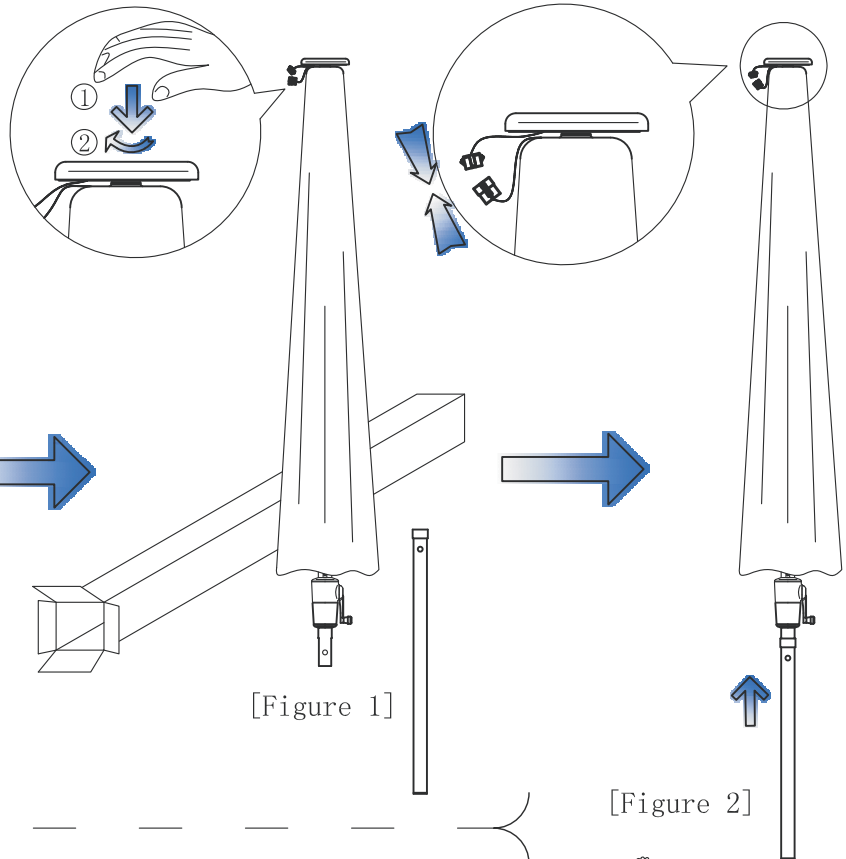


# Instruction

Part	Picture	Desc.	Qty
A			
B			
C			
D			



## INSTRUCTION MANUAL

1. Open the package, find the assembly A, B, C, D in the picture as the picture shows.
2. Fix the solar panel box (A) on the umbrella roof at the rotates clockwise direction, then connect the socket connector
3. plug the umbrella pole (C) into the umbrella base or other fixed equipment.
4. Put the umbrella (B) into the pole, press the round bottom on the pole and you can easily put into the pole
5. Open the solar umbrella when rotates clockwise, chose the solar umbrella when rotates anticlockwise.
6. Turn on the bottom printed with : on/off, the led can be light up.
7. The battery and the controller are designed in the solar panel box, which is more clean and safe, the battery is charged by the sun light during the daytime, after charged fully, the led can work last for 5-6 hours.
8. We have considered of the rainy days, during which the battery cannot be charged, so we have designed the DC standard connector, if you need, you can buy it yourself, the specification is : output, DC5V/300MA charger. You just need to plug it into the power.