



2017

THE NEW COLO

Hangzhou Color Powder Coating Equipment Co., Ltd

WORLDWIDE
PARTNER IN
POWDER
COATING
SOLUTION,
EQUIPMENT
SPARE PARTS



Manual coating systems CL-171S Series

Our powder coating units for manual operation deliver the most advanced technology in the industry

- Can easily and precisely control all pneumatic and electrostatic parameters, make good powder coating quality.
- Ensure powder output regulate, save the powder.
- It is very easy to operate and offers 3 pre-set standard application programs for flat parts, profiles and recoating.



COLO-171S

The 50L hopper is ideal for continuous use and offers perfect powder fluidization.



COLO-171S Upgrade



COLO-171S-B



Ideal for quick color changes, it takes powder directly from the original box. No need replace and clean hoppers in color change.



COLO-161S Series

ONLY IN COLO!

Digital value intelligent powder coating system



COLO-161S-F

For constant use of bigger powder quantities



COLO-161S-B



COLO-161S-B-2



Special features of the new CL-161S digital intelligent control module

- NEW ACCURATE DESIGN
- SUPERIOR PERFORMANCE
- OPTIMUM COATING RESULTS
- DIGITAL AIR FLOW TECHNOLOGY
- POWDER IS MORE STABLE
- MORE UNIFORM
- BETTER ATOMIZATION
- MORE FEATURES

Up to 20 coating programs can be stored in the control unit, which includes also 3 preset standard programs. They are perfectly configured to coat flat parts, complicated parts, recoat parts and can be easily selected via the display pilot.



COLO-800D-L2 Series

Intelligent powder coating system



The mobile cart coupled with the industry's first 360° rotating control unit offers flexibility for adjustment in any work location.

vibration manual spray system



for FAST COLOR CHANGES



COLO-800D-L2-B



COLO-800D-L2

Applicable to a large number of coating job with powder keg 50L



COLO-800D Series Powder Coating System

Incomparable manual spray coating system



COLO-800D
Hopper feed unit

With a 55L fluidizing powder hopper, which bottom removable, Easy for color change.



COLO-800V
Vibratory Box Feed Unit

For quick and easy color changes, the Colo-800V manual box unit is your perfect choice. It is designed to use the powder manufacturer's original carton.



COLO-800DT-C



COLO-800DT-B

Innovative powder coating System

Advanced coating features such as C-Pulse, a coating option that is said to penetrate tough Faraday cage areas, reducing time and material consumption

Enhanced coating quality of flat and complex parts

- Reduced operator fatigue
- Effective coating in corners and recesses
- Improved recoating ability

**COLO-668-L3****COLO-668-L3-B**

Pre-programmed Mode Control Unit

The Colo-660 features an innovative design with four pre-programmed control options that allow you to easily coat a variety of parts.

Colo-660

- COATING MODE**
 Operator controls the voltage and current for maximum efficiency
- RECOAT MODE**
 Adjusts both the voltage and current for efficient recoating
- CORNER MODE**
 Adjusts voltage while maintaining current output for coating complicated corners and recesses
- PULSE MODE**
 Rapidly recharges the powder for higher transfer efficiencies



COLO-660V

Technical Data

Weight of Gun	550 g	Voltage Output	100kV
Length of Gun	330 mm	Max. Current Output	180
Power Source	AC220V/110V	Polarity	Negative
Frequency	50~60Hz	Max. Injection Capacity	650g/Min
Power Consumption	50W	Air Consumption	MAX. 13N/h
Voltage Input	DC 24V	Temperature Range in use	-10~50



COLO-660T-06C



COLO-660T-B



COLO-660T-H



COLO-500-PGC1

PGC 1 Control module with the
PG 1 Powder Gun



COLO-500 Star

Colo-500 provides excellent transfer efficiencies, superior powder penetration and a quality finish. It is ideal for medium to large production runs.



Colo-900 T-C

COLO-900 T-C

Designed for small sample testing of power manufacturers. Cup gun hold 120 gram.



Colo-500 T-H



Laboratory units

COLO-500 T-H

The perfect solution for laboratory powder coating or small coating job applications





COLO-2F-M



COLO-2F-A

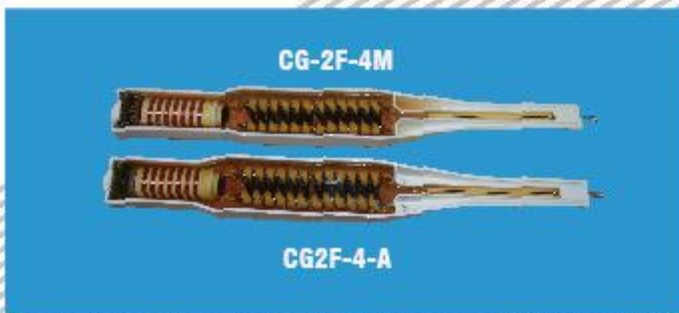


G91-150-(2F)

G91-300-(2F)



A700102



CG-2F-4M

CG2F-4-A



G69

G71

G72

G70

G67

G68

G77

G78

G79

G80

G83

G81



CG-2F-6A



CG-2F-6M



G42-1

G42-5A

G42-4

G42-6

G42-2

G42-3



CG-2F-1



G42-5A

G42-5-COLO

G42-5-B



CG-2F-6A/6B/6C



G61-2F



G92-2F



CG-2F-5



A700105

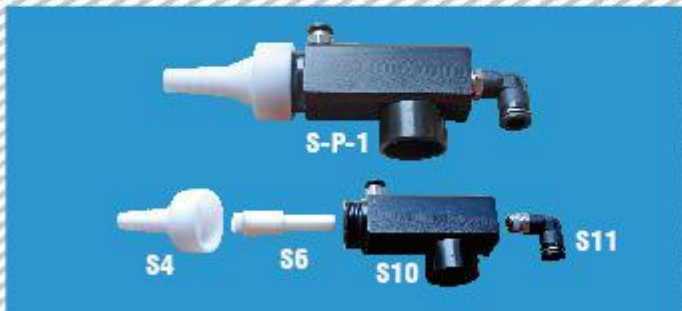
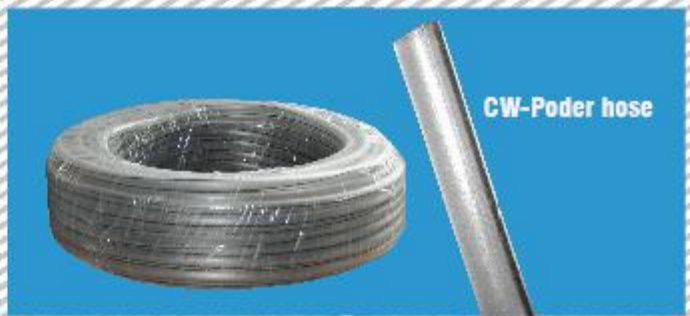


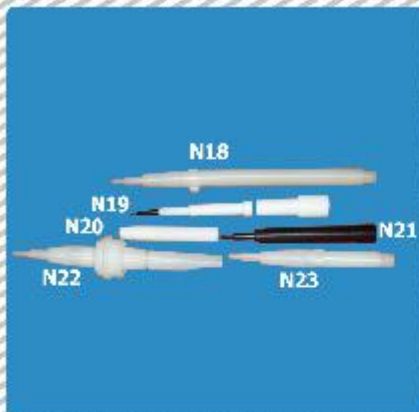
A700104

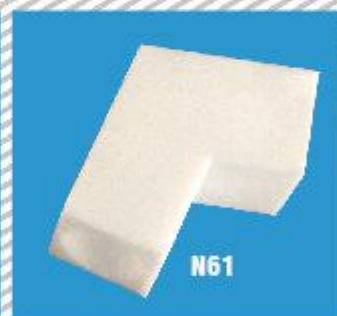
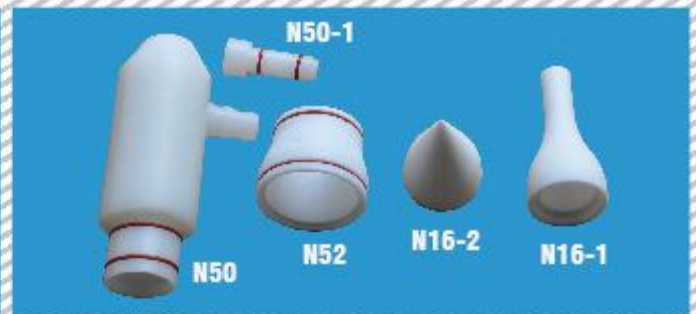


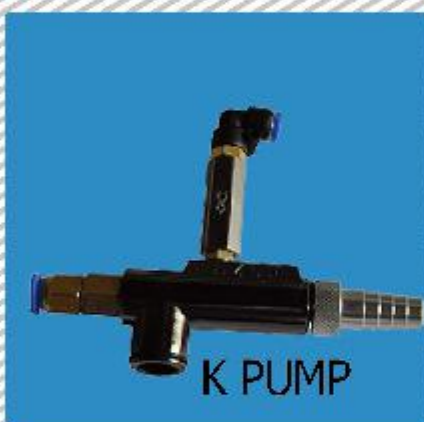
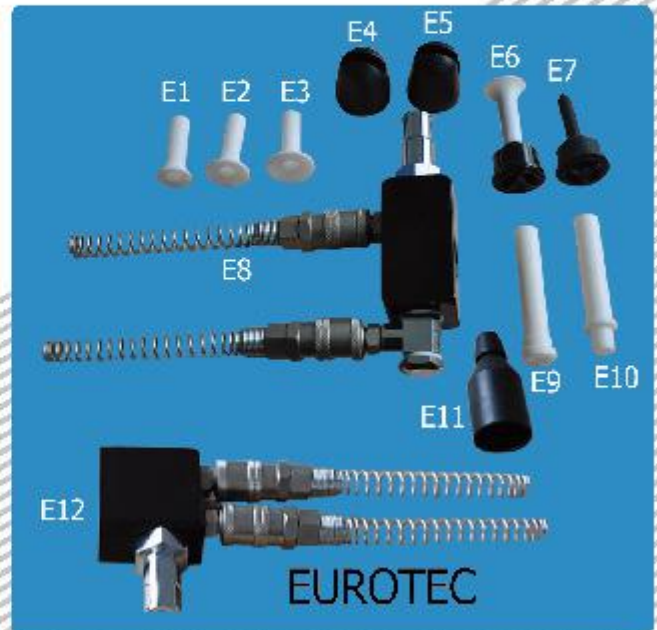
A700110

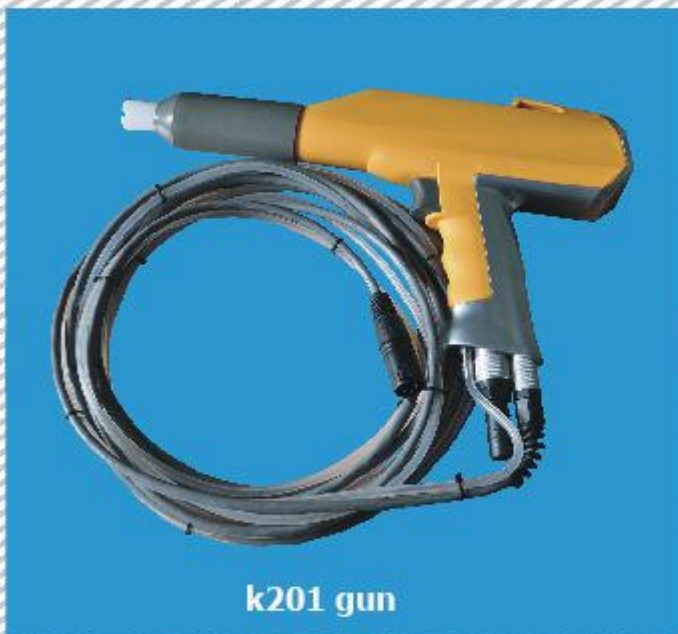
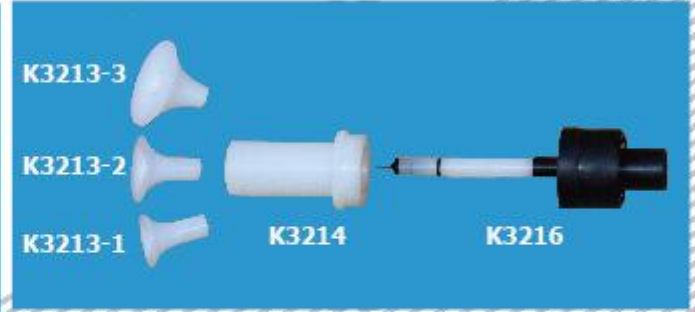
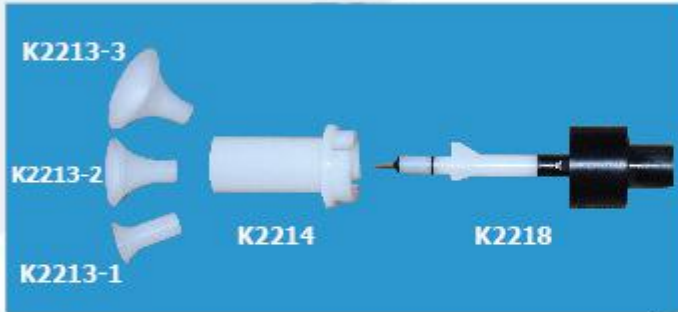
















COLO 52A



COLO 52B



COLO MINI01



COLO MINI02



COLO MINI03



COLO MINI B



COLO 62A



COLO 62B



COLO 62C



COLO 62C-2



COLO 40A



COLO 40B



COLO 40C



COLO 40D



COLO R01



COLO S01/S02



Spare Parts



COLO-55A

Powder center for fast color changes and improvement of productivity

The powder feed central system provides fast color change. The automatic spray gun, various powder hoses, and injectors will stay clean automatically during color change. A filter system maintains a comfortable indoor environment by transferring dusts during cleaning. The unit is fully programmable.

The powder position sensor will detect the position of the powder. A lack of powder will signal a warning which will fluidized the powder barrel: 100 liter capacity. The cover extends the capacity and will prevent the powder from wafting.

Shake table: If you do not use the fluidized powder box, the powder can also be placed directly in the original packing carton shock stage. From there the powder can be pumped directly from the carton supply to the powder gun. It does not require cleaning when changing the powder coating box.

The automatic sifter contains a screen which removes impurities contained in the recovered powder.

Control System: Touch screen operator panel and keyboard input Increase the supply of new powder automatically. Automatic matching of old and new powders together.

TECHNICAL PARAMETERS

1. Power supply voltage: 1P 220VAC (110V)
2. Power: 500W
3. Air pressure: 0.6-0.8MP
4. Can be equipped with up to 16 powder pump



ADVANCE FEATURES

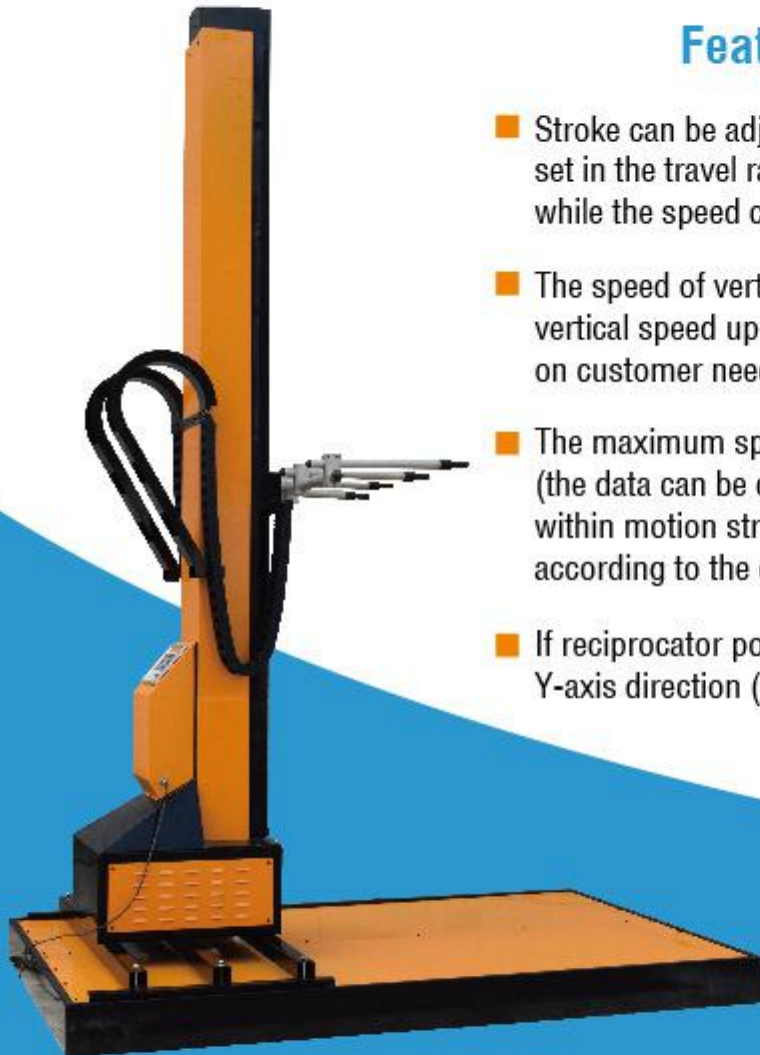
- Powder barrel lid design saves powder
- Original packaging for direct supply powder
- Nested structure design, cleans thoroughly
- High quality fluidization is achieved through vibration from our newly designed fluidized plate and powder
- Powder-bit auto-detection alarm
- Increase the supply of new powder automatically
- Automatic matching of old and new powders together.

Automatic Reciprocator

The programmable two-dimensional and three-dimensional intelligent controllable reciprocator is specially designed to improve the working efficiency and coating quality. The equipment can meet the highest requirement of coating quality, as the ideal product for improving surface finishing coating design.

Features and Advantages

- Stroke can be adjusted in the controller; each part can be arbitrarily set in the travel range of the upper and lower limited position, while the speed can be set in a certain range.
- The speed of vertical direction in X-axis can be segment adjustable; vertical speed up to 78m/min (the data can be customized based on customer needs).
- The maximum speed of fore-and-aft direction in Z-axis is 10m/min (the data can be customized based on customer needs), adjustable within motion stroke range. there is a corresponding motion control according to the detection of part position signal.
- If reciprocator position changed, Z-axis direction would move to Y-axis direction (moving with the production line)



2Axes long-stroke reciprocator

Technical data

Standard stroke	1000-2000
Lifter loading	40kg
Speed range	0-1M/S (Variable frequency adjustable)
Voltage	220V AC±10%
Power	0.75KW 0.37KW
Up and down point delay	(Up and down point movement, adjustable)



Horizontal reciprocator



COLO-2000D

Frequency-adjustable reciprocator is specially designed for high quality powder coating, it can carry up to 2-12pcs spray guns and optional for wet painting guns as well

Feature of the reciprocator:

- 80 storable programs
- Frequency: Japanese Mitsubishi

Technical Characteristics

COLO-2200D

COLO-2200D Reciprocator is electrically driven by a frequency control motor via PLC, give gentle and precise motion, thus ensuring perfect coating result. It is wheeled for easy moving and fix, the slim column design allows for space saving arrangement of the guns.

Feature of the reciprocator:

- Could store 20 programs
- Easy operation
- Smooth and accurate running
- Solid and maintenance free
- Height or the stroke adjustable and customized

Power supply	AC 220V/110V 50HZ-60HZ	Stroke	1.5m/1.8m/2m/2.5m
Power of motor	0.75kw/1.1kw	Speed	0-0.8m/s(0-50m/min)
Speed	0~50m/min	Standard size	850*680*2970mm
Max load capacity	25 kgs	Weight	295kg

Powder Sieve Machine

**COLO-3000-S****COLO-3000-R****COLO-4000**

COLO-3000

Powder coating recovery equipment for recycle the powder coatings with the capacity of 80kgs-100kgs used in the automatic powder coating lines. Import motor ensure the lifetime.

COLO-4000

To semi- Automatic recycling the powder lost in the process of electrostatic powder coating on metallic workpieces.

Central control system for multi automatic guns

- Featured with expandable and economic advantages
- Provide the general control function of main electricity and air
- Size can be custom-made, 2-12pcs control units available
- Easy for operation and maintenance



COLO-PGC1A



COLO-800DA



COLO-660A



COLO-5000-PGC1



COLO-5000-800D



COLO-5000-660



COLO-5000-161S



COLO-161SA



COLO-668A



COLO-5000-668

The manual coating booth COLO-S series are ideal for small batches and highest quality.

Value • Flexibility • Performance



COLO-S-1517



COLO-S-2315

100% Polyester filters, quick-release type



simple PLC control unit

THE ADVANTAGES OF THE COLO-S BOOTH:

- Powder coated steel booth, moveable
- Delivered ready for connection
- Integrated Illumination
- Mobile powder collecting hopper
- Simplified filter cartridge for changing
- Supervision of minimal exhaust air volume

Technical Data

	COLO-S-1517	COLO-S-2315
No.of filter elements	2	4
Extraction volume	4000Nm ³ /h	6600Nm ³ /h
Fan power, effective	2.2kw	4.0kw
Voltage/Frequence	3x380-420V/50HZ (or as request)	
Compressed air consumption	15Nm ³ /h/6bar input pressure	
Weight (approx.)	480kgs	580kgs

Booth dimensions

Width	1500(1580) mm	2300(2550) mm
Depth	1000(2000) mm	1500(2100) mm
Height	1700(/2150) mm	1500(2240) mm

Walk-in Booths

Walk in Booths (also called Cabin Booths) are ideal when coating large and bulky or heavy parts.

As the name suggests, after the part to be coated has been rolled into the cabin, the operator walks in and coats the parts from all sides.

These parts are then rolled out directly into the powder curing oven.

These booths find use in batch system for control panels, cabinet, large iron cast products, etc.

Walk in Booths also could have mono Cyclones as a recovery system.



COLO-S-3222



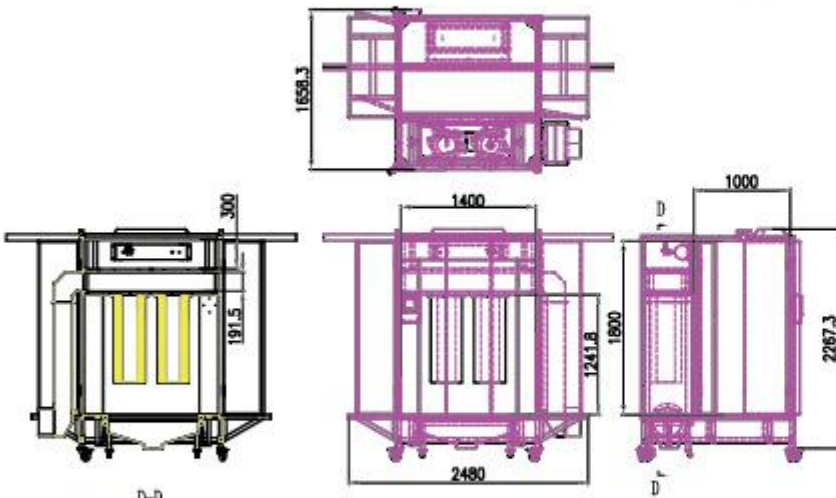
COLO-3924

Model	COLO-S-3222	COLO-3924
Working dimensions	W3000 *H2000 *D1700mm	W3900 *H2400*D2400mm
Overall dimensions	W3080 *H2080*D2200mm	W4013 *H3347*D2713mm
Filters count	4 pcs.	6 pcs.
Nominal power	2.2kW	5.5kW
Nomival voltage	As required	As required
Air consumption	4000m3/h	8000m3/h

Value • Flexibility • Performance

Tunnel Booths

- This booth is having side doors & article holding track entry & exit is from side through doors.
- By this way material handling is systematic i.e. from one side entry, coating & then exit from other side.
- If for spraying two side, could make 2 operation doors.
- In exceptional case, if article is very long then a door can be kept open & coating is done step by step by moving article slowly.
- In this case recovery will be reduced.



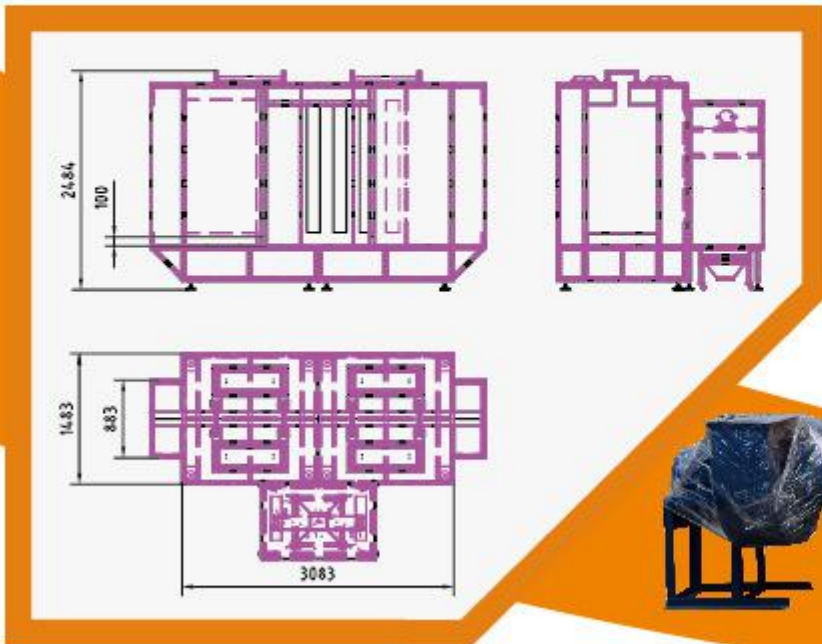
COLO-S-2152



Model:COLO-S-2152

Booth Type	Closed-drive-thru	Frequency	50-60Hz
Operator dimensions	1400*1800*1000(W*H*D)	Filters	Polyester
Overall dimensions	2500*2300*1500(W*H*D)	Filters count	2
Weight	450kg	Filters hang type	easy for change
Power supply	Electric	Filter cleaning system	Pneumatic
Nominal power	3.5kW	Air consumption	10,200m ³ /h
Voltage	380V	Warranty	12 months

Special for LPG cylinder



COLO-S-3145

Tunnel type with rotatable hanger and track on the top of spray booth suitable for spraying all round or cylinder parts.

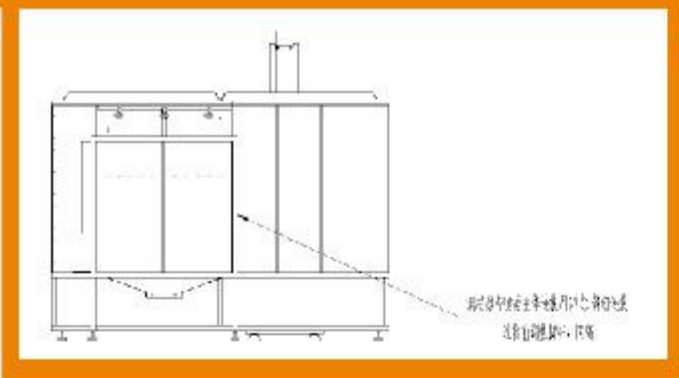
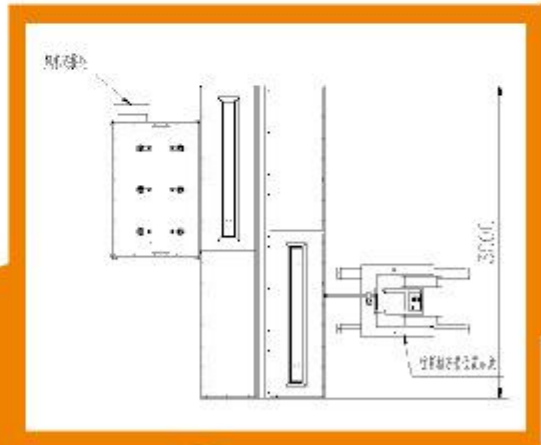
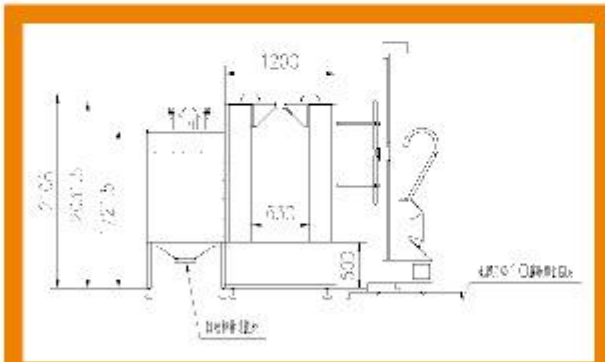
With One hand spraying door and a automatic operating door



Booth Type	Drive-thru	Frequency	50-60Hz
Operator dimensions	1400*1800*1000(W*H*D)	Filters	Polyester
Weight	750kg	Filters count	4
Power supply	Electric	Filters hang type	easy for change
Nominal power	5.5kW	Filter cleaning system	Pneumatic
Voltage	380V	Warranty	12 months

The coating booth is designed for the double-sided automatic or manual coating with a conveyor system.

Parts enter the booth through the conveyor openings, then pass the coating operator stations to receive the coating. The powder overspray is entrained within the air stream moving to the collector module, where the cartridge filters will remove the particulate. The containment air is drawn through the air handler's primary and final filter system before being discharged back into the room. Coated parts exit the booth for conveyance to the cure oven.



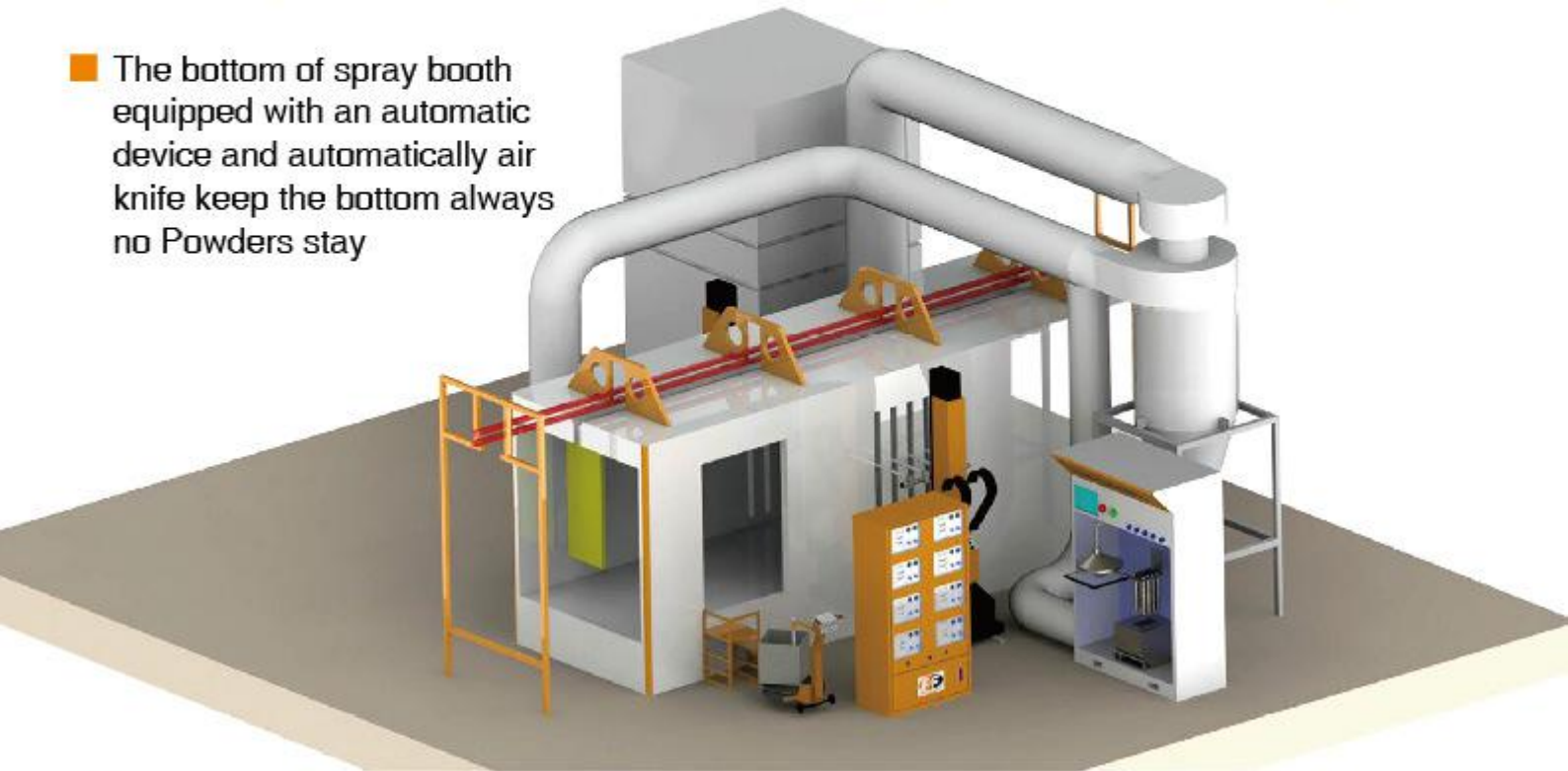
COLO-S-3212



- Operator dimensions** 620width x 1500 height x 2920 depth (2PCS)
- Overall dimensions** 1200width x 2033 height x 3000 depth
- Weight** 500kg
- Power supply** Electric
- Nominal power** 3.5kW
- Voltage** 380V(can be different as request)
- Frequency** 50-60Hz
- Filters** Polyester
- Filters count** 3
- Filters hang type** easy for change
- Filter cleaning system** Pneumatic
- Warranty** 12 months

Mono-cyclone fast color change powder coating booth

- The bottom of spray booth equipped with an automatic device and automatically air knife keep the bottom always no Powders stay



Mono-cyclone Separator

- Mono-Cyclone single-tube structure makes clean up shorter color change.
- Mono-cyclone separation rate of up to 98%.
- Disc Cone bucket and cylinder junction of the filter shaking motor efficiency vibration screening.
- Removable disk cleanup filter with change
- Bevel the bottom of the bucket can be configured to work in alternate double balloon valve.
- Bevel the bottom of the bucket can be configured to pump fluidized powder + powder pump delivery forms.
- Exhaust pipe at the bottom end face of the circular cover plate can be quickly disassembled for cleaning

Plastic powder coating booth for fast color changes !



Comparing with the metal spray booth, the PVC powder coating booth has obvious technical advantages;

- In the high-voltage electrostatic field, inner wall of PVC booth brings the charge with the same polarity as the powder particles, making the inner wall's rebound effect on the powder particles because of homogeneous repulsion, so that more powder can gather to the workpiece, which effectively improves the spraying efficiency.
- Less powder adsorption to the inner wall makes less powder go through the powder coating equipment, achieving high powder utilization to save powder.
- High efficiency of the bottom exhaust, matching with the discharge device of "large-diameter double-whirlwind powder separator + terminal filter", makes the least powder accumulation and the most environmental-friendly emission.
- Air compressed gun can easily blow off the powder that has attached to the booth wall, helpful to rapid cleaning.
- According to the production requirement, you can choose appropriate type of automatic powder coating control center to improve the main task of spraying, to save time and energy.
- Variable frequency stepless speed regulation reciprocator can carry automatic spray gun perfectly, and complete the spraying task successfully.
- Optional powder self-recycling feed center ensures maximum utilization of powder and least waste, so you don't need to worry about the automatic powder recovery, filtering and powder return to the powder hopper

Multi-cyclone +Post filters recovery system-for easy mobility and faster clean up operation



Multi Recovery System

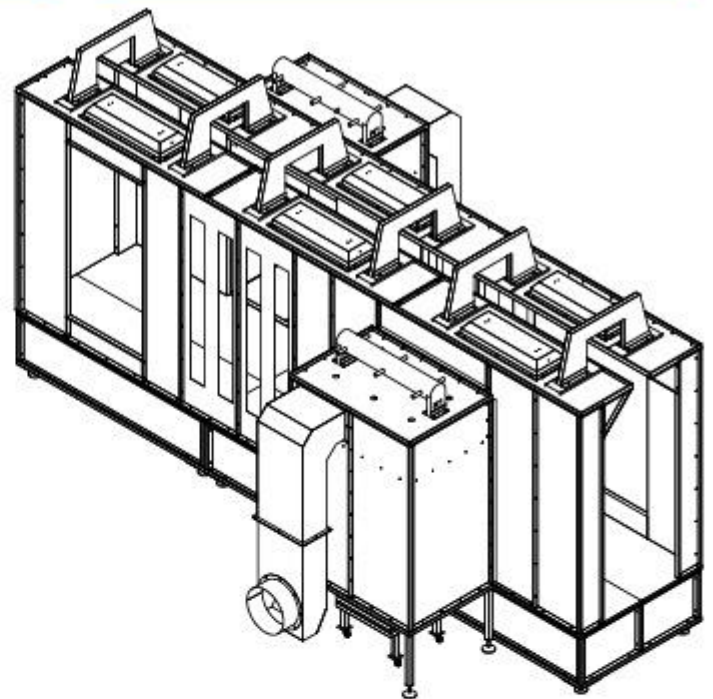
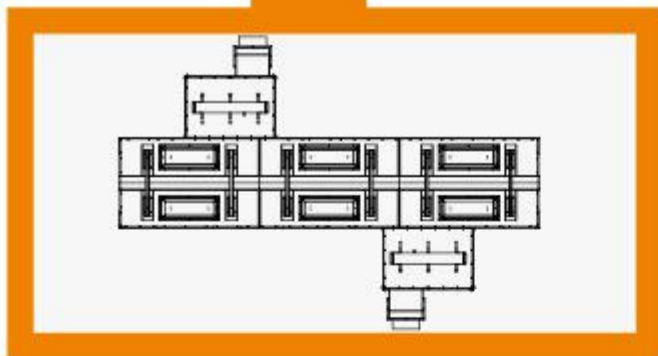
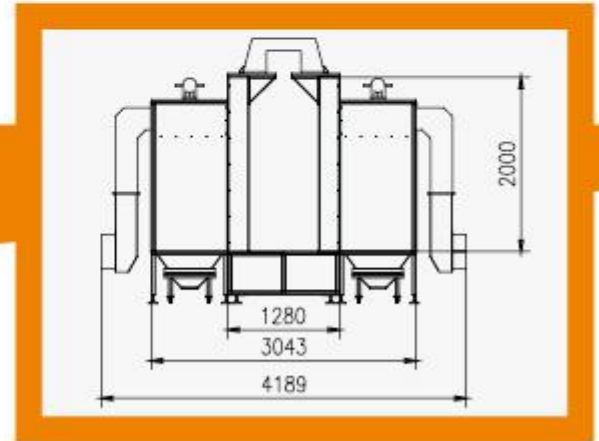
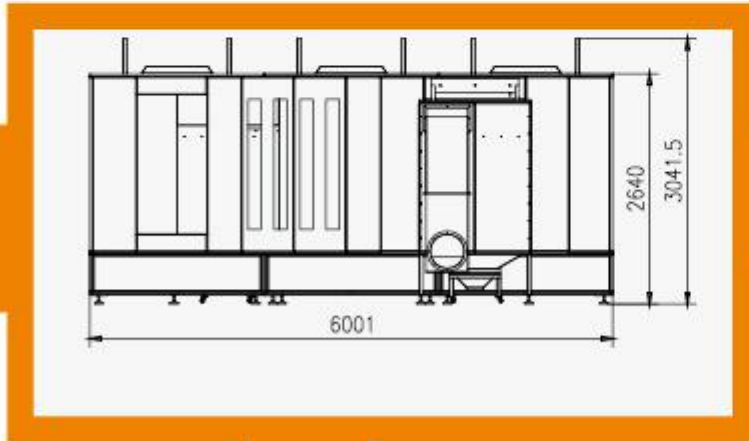
- Multi-pipe type small cyclone make the contact area of powder separation more .
- Molding guide vanes make ventilation more stable uniform volume and the bottom of the powder hopper quickly removed and the side access windows make clean up easier.
- Compact structure, small size, not require so many in the space for workshop.
- You can choose to configure multiple small cyclone unit performed easily and quickly change color.

After filter system

- Multiple filters make filtering area enough.
- The efficiency of filter is up to 99%.
- The precision of filter can reach 2-5 microns.
- Advanced rotary wing filter for cleaning system.
- Automatic pulse-type counter blowing cleaning control models make the operation condition of the filter better and longer life time.
- Air package to ensure that the air flow and air pressure to clean up when you make a more thorough clean-up.
- Several side access window clean-up easier.
- Top-mounted exhaust fan with ventilation so that the form of least resistance.
- Top fan room side panel can be removed to facilitate later maintenance.

Single grade filter element powder recycle powder coating booth

- The economic and widely used powder recycle system
- Powder recycle rate it is about 98-99%
- Only suit for simple coating (2-5 colors)
- Simple and reasonable structure ,easy to maintenance



Model	COLO-S-Basic Type
Booth Type	filter type
Operator dimensions	W800*H2000*D6000mm
Overall dimensions	W1200*H2500*D7000mm
Voltage	As required

workpiece detection system

With grating induction and detection, workpiece delivers the signal which was monitored, to the central control system, then the central control system calculates the work time of workpiece's arrival towards spray gun, thus automatically opens or closes automatic spray gun, based on the conveyor chain speed that encoder has detected.



Applications:

All kinds of automatic powder coating applications.

Features:

- Automatic control;
- save powder
- reduce the empty spray;
- improve the uniformity of the layer.

Specifications:

Gap control: it opens spray gun only with the workpiece existing so as to reduce the empty spray. It is used to identify gaps and workpiece's width, which opens spray gun only with the workpiece existing. Moreover, when spraying workpieces with different width or thickness, the system can automatically adjust the distance that the spraying gun towards the surface of workpieces to make it keep the same, in order to reduce the empty spray and improve the uniformity.

Lab spray booth



COLO-S-04548-T

(W400mm*H500mm*D480mm)

Lab curing oven



COLO-4355-T

(W450mm*H500mm*D350mm)



Colo-S-0711

(700width*1000 height *800 depth)



Colo-V-T2

Portable Voltage tester



Colo-8822

Thickness Meter



Colo-8850N

microprocessor thickness meter



Colo-0686

Gloss Meter

Powder application equipment and accessories



Rotary wing



Venturi



Titular

Polaco

Nueces



Fan motor



Spraying zozzle

Carriage filter

100% polyester ,common or imported materials can be supplied as request



Common type filter available sizes:

- 325*215*600mm
- 320*220*600mm
- 325*215*900mm
- 320*220*900mm

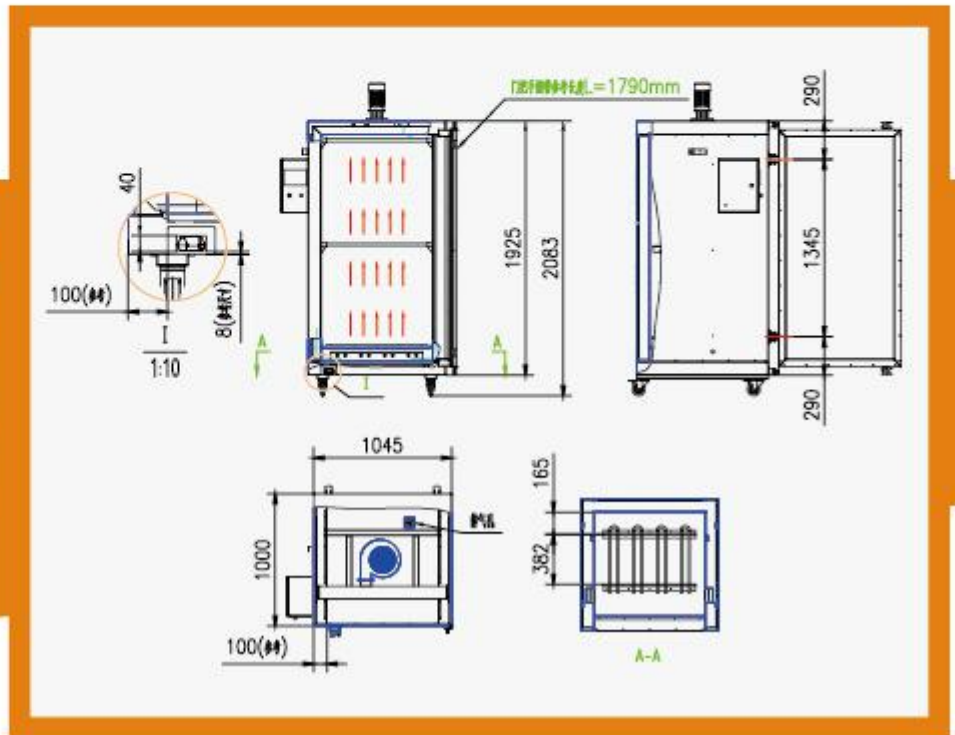


Powder sieve equipment

Quick-release type filter available sizes

- 325*215*600mm
- 325*215*900mm

Electric Powder Coating Curing / Drying Oven



Great for wheels, composite parts, metalwork and bike frames

The colo-1688 Powder Coating Curing Oven is used in the product process of powder curing.

With 2 shelves and 5 rails per shelf, there's plenty of space for hanging powder coated metal work to dry.

This product will need to be hardwired or wired onto a 32AMP plug.

Product features:

- 2 shelves each with 5 removable rails
- Portable with 4 wheels included
- Voltage: 220/110V 50/60Hz
- Power: 6.5kW
- Insulation Plate: 10cm
- Warm Up Time: 25-30 minutes (180°C)
- Temperature Stability: $< \pm 1^\circ\text{C}$
- Temperature Range: 0-250°C
- Dimensions: 208.3cm H x 100cm D x 104.5cm W



COLO-1688

www.colourspray.com

Electric powder coating oven



COLO-1864



COLO-1515



**Thick insulation
100-150mm**

Forced Air

Forced air circulation with booth walls and floor, curing a very good temperature uniformity result



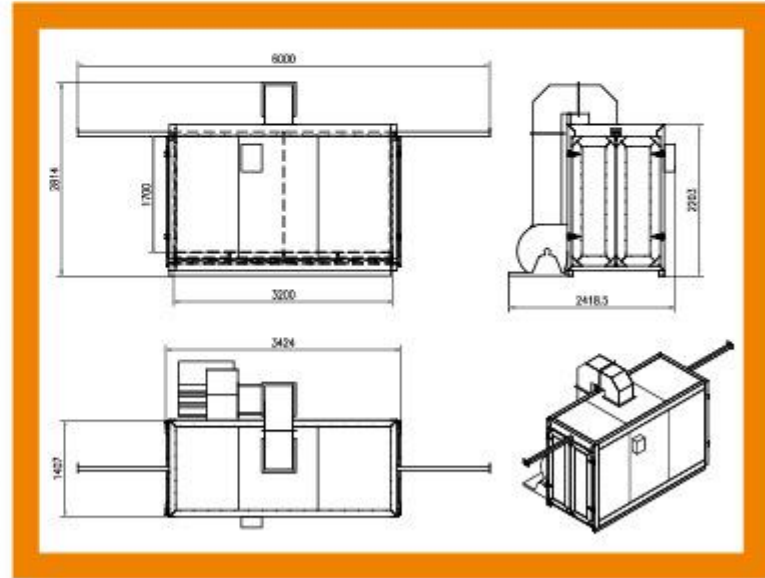
Automatic controls-simple PLC system

Control provides high precision heating process, it offers all the features you need. The LED display allows you to set the temperature, as well as the duration of heating process at the desired temperature.



Model	worksize dimensions (mm)	External dimensions (mm)	Fans amount	Heating power	Nominal voltage	Motor power
COLO-1688	W845 H1600 D845	W1045 H2083 D1000	1pc	7kw	As required	0.55kw
COLO-1515	W1500 H1500 D1500	W1800 H1600 D1930	1pc	12kw	As required	0.75kw
COLO-1864	W1600 H1800 D1400	W1900 H2200 D1700	1pc	12kw	As required	0.75kw
COLO-1732	W1650 H1700 D3000	W1950 H2100 D3500	1pc	18kw	As required	1.5kw
COLO-1645	W1500 H1650 D4500	W1800 H2050 D4800	1pc	32kw	As required	3kw

Powder Coating Oven With Overhead Conveyor



Worksize dimensions	W1200*H1700*D3200(mm)	Temperature max	250 °C
Overall dimensions	W1407*H2203*D3424(mm)	Ventilation performance	805-1677m3/h
Power supply	Electric/ 40kw	Fan motor power	2.2kw
Voltage/Frequency	As required	Circulation/ Air flow	Vertical Variable through holes on the walls
Warm-up time	15-30 min(180 °C)	Transportation	Trolley on top
Temperature stability	<±3-5 °C	Warranty	12 months



Gas / LPG fired powder coating oven



Industrial curing batch oven.
front and back door, heat Source: LPG

Gas or Diesel as requested Colo-0813

(W800mm x H1500mm x D3000mm)



- Precise temperature control, furnace tolerance of +/- 5 degrees Celsius. Indirect heating system with a heat exchanger.
- Hot air is transferred from the bottom up.
- Heat exchangers used in seamless steel tubes 8x8 array, use the combustion liner 310S stainless steel seamless pipe thickness of 3-4mm.
- Closed-round clean efficient heat circulation system.

Gas / LPG fired powder coating oven



COLO-3210

Burner can be put in the side or top place
 trolley designed as request
 Exported into worldwide
 Italy imported burner



Model	Worksize dimensions W · H · D mm	Fans amount	Burner power	Heating power	Nominal voltage	motor power
Golo-0813	W800 H1500 D3000	1 pcs.	100,000cal	380V/220	380V/220	2.2kW
Golo-1732	W1700 H2200 D3000	1 pcs.	20,000cal	380V/220	380V/220	3kW
Golo-3210	W2000 H1900 D3100	1 pcs.	20,000cal	380V/220	380V/220	3KW
Golo-4772	W1606 H2060 D4797	1 pcs	30,000 cal	380V/220	380V/220	5.5KW

Infrared Catalytic Gas Burner



Electric pulse igniter



Solenoid Valve



Ignition pin



Infrared Catalytic Ceramic Plate



Working

Specification

Model	Dimension mm	N.W. kg	Gas Type	Heat Output		Consumption	
				KW/h	Kcal/hr	NG(m3/h)	LPG(kg/h)
HD162	570*130*175	8	NG/LPG	6.3	5400	0.49	0.45
HD242	840*130*175	11.7	NG/LPG	9.4	8120	0.75	0.68
HD262	930*130*175	13	NG/LPG	10.9	9360	0.8	0.74

Note :When you order please advise the source type and working voltage details

COLO-SMT-7



Channel Number	7 Channel				
Temperature	0~500C	Thermocouple	K	Memory	128 K
Resolution	0.5c				
Use Time	600min under 100C ,or 120min under 200C or 60min under 300C				
Recorder Time	4h under sample rate 1s				
Sample Rate	1s, 2s, 3s, 5s, 8s, 10s, 12s, 20s,40s, 60s				
Thermal Barrier	280(length) x 120(width) x 100(height)				
Setting Software (TrendReader V1.22)	1) To select or unselect each channel with Yes or NO 2) To verify the accuracy separately for each channel 3) Easy to choose sample rate 4) Switch ON/OFF				
Analysis Software (TrendReporter V1.0)	1) To display temperature data 2) To calculate heating rate between two temperature level 3) To calculate total time above two different temperature 4) To Calculate Peak Temperature 5) To Compare different temperature profile 6) To Print Report				



COLO-SMT-4

Channel Number	4 Channel
thermocouple	K
Use time	60min under 300C .
Thermal Barrier	325(length) x 125(width) x 125(height)
Memory	per channel can record and store 16 000 data
Sample Rate	1s, 2s, 3s, 4s, 5s, 6s, 10s, 20s, 30s, 1min, etc., can be selected by the user
Computer request	windows 98, 2000, XP ect ,through the computer to print out temperature curve
Setting Software	a) sampling period Optional b) start / stop recording easy
Analysis Software	a) The curve optional display or not display b) can be calculated at any temperature between the two heating rate; c) be able to calculate the temperature higher than a four time; d) can be calculated peak temperature; e) be able to compare test data 2-5 times
Standard configuration	* Four-channel Temperature Tracker * 4pcs of 1.75 meters temperature probe * Computer connection cable * Data processing software, data analysis software * Stainless steel incubator, including suspension handle * Operating Manual





Spraying tunnel



dip tank with Hoist



We also produce the different types of sandblasting machines that suitable for surface treatment of all products of metal.

For more details please visit our sandblasting equipment catalogue

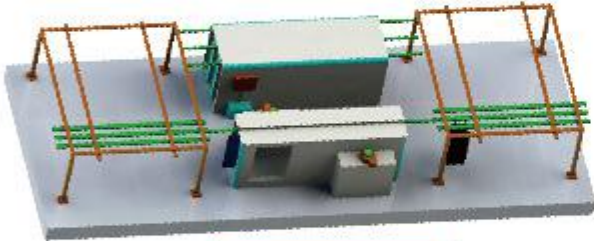
Layout Of Powder Coating Line For Your Special Request

Before design a powder coating line for you please supply below information:

- Product name ,material , If possible sent photos
- The workpiece Max size(LxWxH), max weight, and output per 8hours. Or advise the line speed you need
- What kind of heating energy for oven, such as electricity, diesel, or gas energy
- How many kinds of powder colors
- What's the size (Length x Width x Height)of your workshop?Supply workshop drawing
- Advise industrial and living electricity voltage in your factory, single-phase220 v or three-phase 380/ 415 v

Manual coating plant process

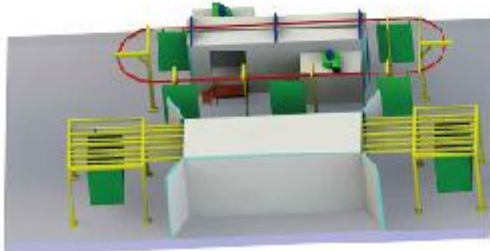
Manual powder coating plant, with overhead track or ground moveable trolley in powder coating booth and oven. Powder coating booth could be manual or automatic, oven is box type. Could choose different type according to different coating requirements. It is designed to handle special parts, such as complex and small quantity parts. The manual powder coating line also suitable for some first time use powder coating plant.



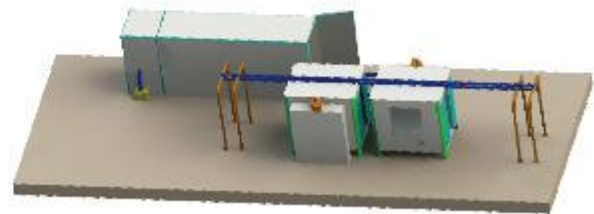
COLO-L-M01



COLO-L-M02



COLO-L-M03



COLO-L-M04



COLO-L-M05



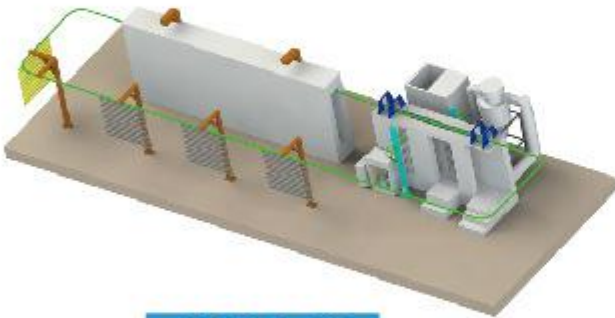
COLO-L-M06

COLO design, manufacture and install this manual powder coating plant in Malaysia for the 6m aluminum profile.



Traditional tunnel type

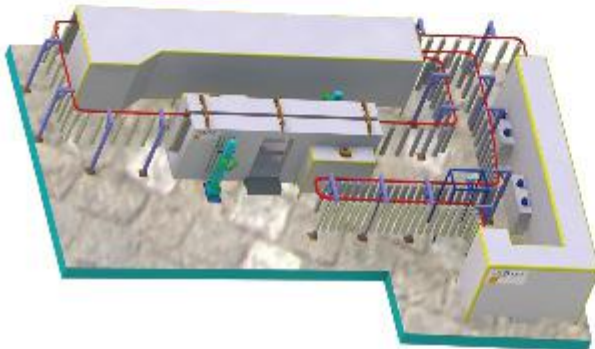
Normal single conveyor, tunnel oven. The part turn moves along with conveyor always, even turn the corner. The output capacity is bigger if the conveyor speed is faster, but the oven length will be longer accordingly.



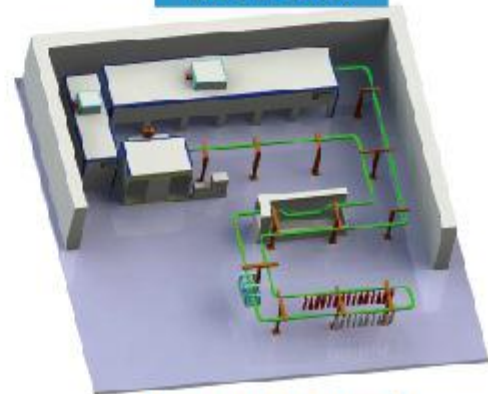
COLO-L-01



COLO-L-02



COLO-L-03



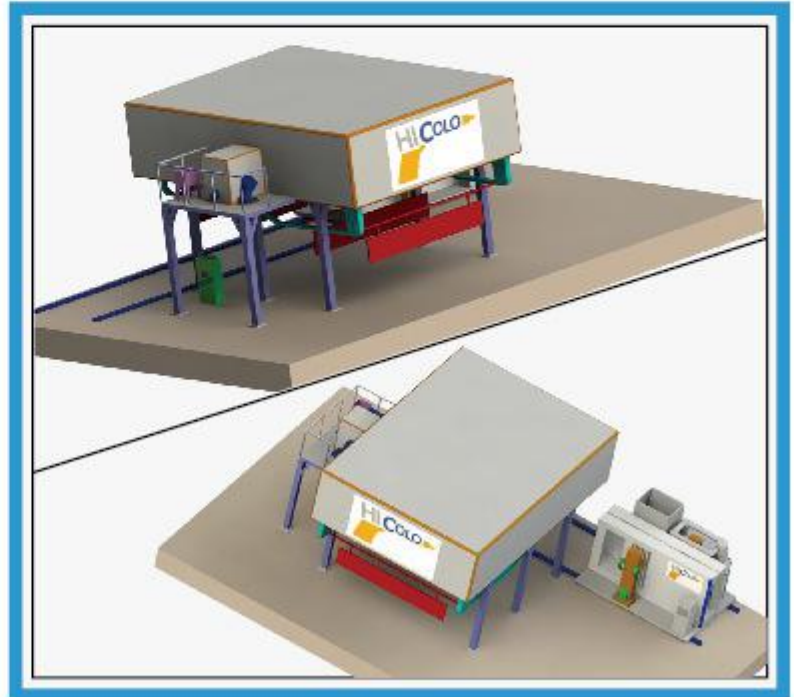
COLO-L-04

COLO design, manufacture and install this manual powder coating plant in Europe for the 3m*2m highway guardrail.



Compact Powder Coating Plant for Aluminum Profile

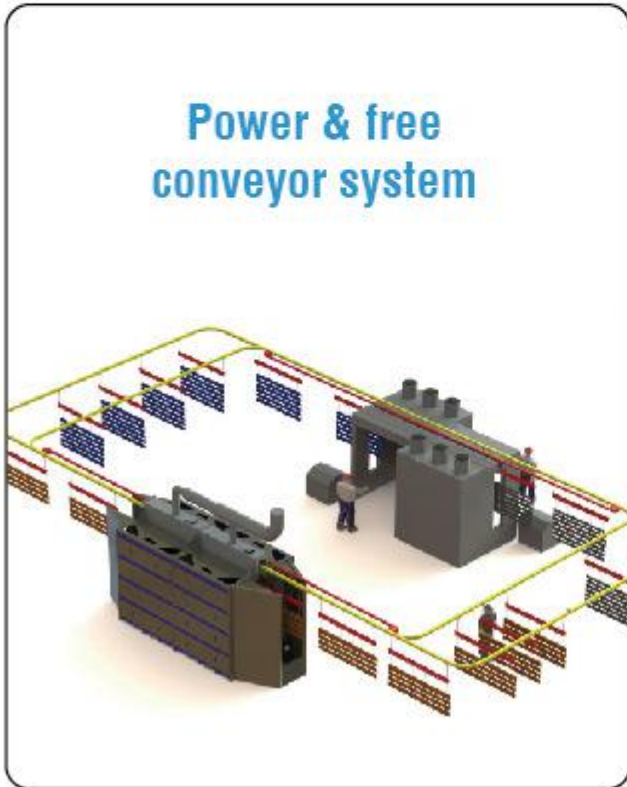
The conventional type Horizontal Powder Coating Plant it uses very long and big space and hence it is difficult for existing factories to consider production expansion. However, with Compact System, it only needs about 300 m² of land (15 x 20 meters) therefore it is ideal for factories having limiting space. (Space high at least 6m) The capacity of this design is limited about 3 -4 tons of profile in 8 hours.



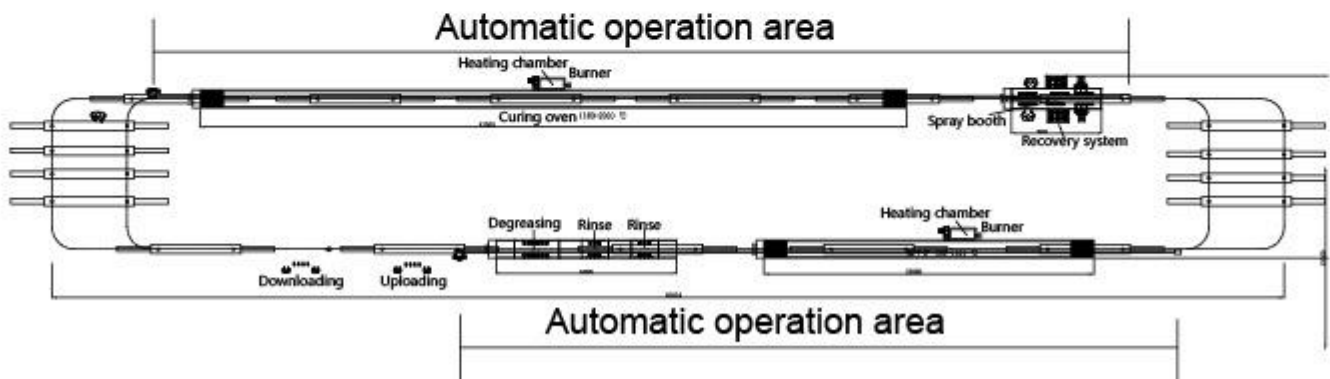
We designed, manufactured and installed this compact powder coating plant in Indonesia for the 6m aluminum profile.



Conveyor system



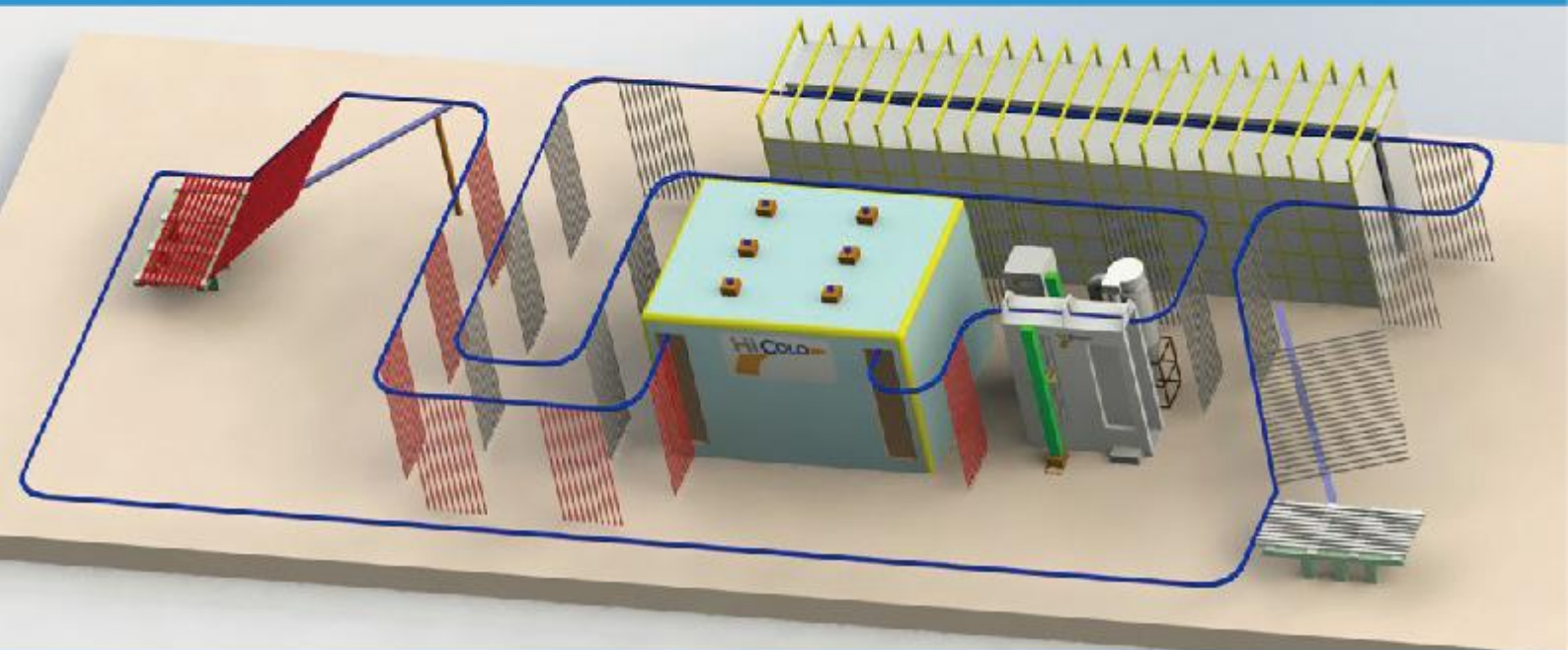
Power & free conveyor is highly automatic and integrative, which can stop individual loads without stopping the entire production line. The main conveyor is moving continuously, but another loading conveyor just move step by step, the output capacity can be very big if the main conveyor speed is fast, no need to enlarge the oven size. So it takes smaller space than the common tunnel oven design.





Vertical Powder Coating System

Vertical powder coating system provides high production capacity with the ability to economically powder coat aluminum profile in small runs with multiple powder color changes each shift. The system is designed to automatically powder coating aluminum profile in lengths up to 6m, could reach production 40-60 tons one day (8 hours).



Our engineer guided installation this powder coating plant in Saudi Arabia.





Chain (loading up to 12kgs/30kgs/50kgs/100kgs/250kgs or special weight)



150 type UH-50750HA



150 type UH-5075-S



200 Type



7075 standard chain



250 single hanger chain



X348 chain track combination



458 type with trolley



X458 chain hanging arm combination



Drive Unit



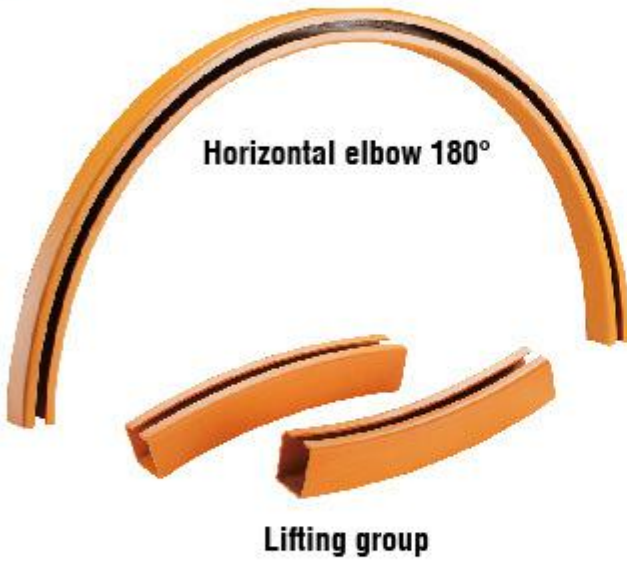
Tension Unit



Track



Control Unit



Spreader (custom design available)





To find your products by flashcode



Telephone: (86)0571-8819 4898

Address: No 57 Xiang Cang RD,Sandun
Town,West Lake District,Hangzhou,China.

Mobile: 0086 13906508694

Email: sales@colourspray.com

Website: www.colourspray.com

Connect With Us: <https://www.facebook.com/hicolo>